

ADC0801S040

Single 8 bits ADC, up to 40 MHz

Rev. 03 — 2 July 2012

Product data sheet

1. General description

The ADC0801S040 is an 8-bit universal analog-to-digital converter (ADC) for video and general purpose applications. It converts the analog input signal from 2.7 V to 5.5 V into 8-bit binary-coded digital words at a maximum sampling rate of 40 MHz. All digital inputs and outputs are CMOS/Transistor-Transistor Logic (TTL) compatible. A sleep mode allows reduction of the device power consumption to 4 mW.

2. Features

- 8-bit resolution
- Operation between 2.7 V and 5.5 V
- Sampling rate up to 40 MHz
- DC sampling allowed
- High signal-to-noise ratio over a large analog input frequency range (7.3 effective bits at 4.43 MHz full-scale input at $f_{clk} = 40$ MHz)
- CMOS/TTL compatible digital inputs and outputs
- External reference voltage regulator
- Power dissipation only 30 mW (typical value)
- Low analog input capacitance, no buffer amplifier required
- Sleep mode (4 mW)
- No sample-and-hold circuit required

3. Applications

- Video data digitizing
- Camera
- Camcorder
- Radio communication
- Car alarm system



4. Quick reference data

Table 1. Quick reference data

$V_{DDA} = V5$ to $V6 = 3.3$ V; $V_{DDD} = V3$ to $V4 = 3.3$ V; $V_{DDO} = V20$ to $V11 = 3.3$ V; V_{SSA} , V_{SSD} and V_{SSO} shorted together; $V_{i(a)(p-p)} = 1.84$ V; $C_L = 20$ pF; $T_{amb} = 0$ °C to 70 °C; typical values measured at $T_{amb} = 25$ °C unless otherwise specified.

| Symbol | Parameter | Conditions | Min | Typ | Max | Unit |
|-----------------|----------------------------|---|------|------------|------------|------|
| V_{DDA} | analog supply voltage | | 2.7 | 3.3 | 5.5 | V |
| V_{DDD} | digital supply voltage | | 2.7 | 3.3 | 5.5 | V |
| V_{DDO} | output supply voltage | | 2.5 | 3.3 | 5.5 | V |
| ΔV_{DD} | supply voltage difference | $V_{DDA} - V_{DDD}$ | -0.2 | - | +0.2 | V |
| | | $V_{DDD} - V_{DDO}$ | -0.2 | - | +2.25 | V |
| I_{DDA} | analog supply current | | - | 4 | 6 | mA |
| I_{DDD} | digital supply current | | - | 5 | 8 | mA |
| I_{DDO} | output supply current | $f_{clk} = 40$ MHz; ramp input; $C_L = 20$ pF | - | 1 | 2 | mA |
| INL | integral non-linearity | ramp input; see Figure 6 | - | ± 0.5 | ± 0.75 | LSB |
| DNL | differential non-linearity | ramp input; see Figure 7 | - | ± 0.25 | ± 0.5 | LSB |
| $f_{clk(max)}$ | maximum clock frequency | | 40 | - | - | MHz |
| P_{tot} | total power dissipation | $V_{DDA} = V_{DDD} = V_{DDO} = 3.3$ V | - | 30 | 53 | mW |

5. Ordering information

Table 2. Ordering information

| Type number | Package | | Version |
|---------------|---------|---|----------|
| | Name | Description | |
| ADC0801S040TS | SSOP20 | plastic shrink small outline package; 20 leads; body width 4.4 mm | SOT266-1 |

6. Block diagram

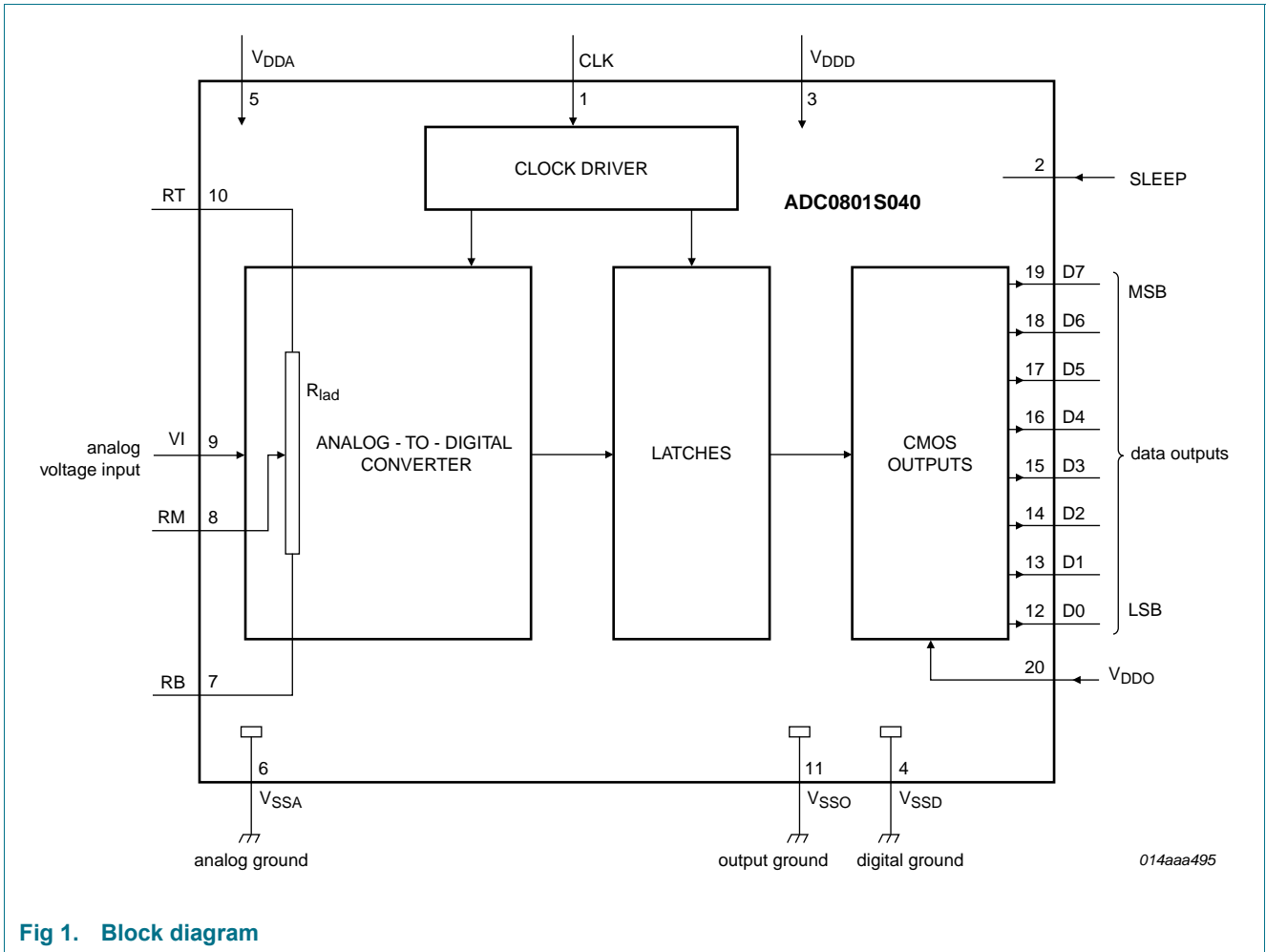
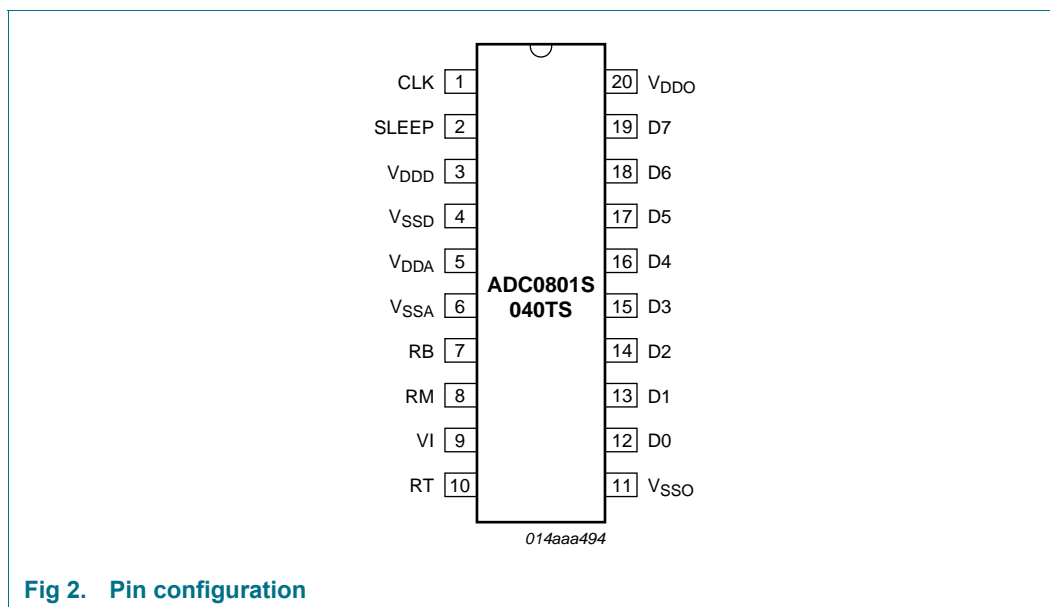


Fig 1. Block diagram

7. Pinning information

7.1 Pinning



7.2 Pin description

Table 3. Pin description

| Symbol | Pin | Description |
|------------------|-----|--|
| CLK | 1 | clock input |
| SLEEP | 2 | sleep mode input |
| V _{DDD} | 3 | digital supply voltage (2.7 V to 5.5 V) |
| V _{SSD} | 4 | digital ground |
| V _{DDA} | 5 | analog supply voltage (2.7 V to 5.5 V) |
| V _{SSA} | 6 | analog ground |
| RB | 7 | reference voltage BOTTOM input |
| RM | 8 | reference voltage MIDDLE |
| VI | 9 | analog input voltage |
| RT | 10 | reference voltage TOP input |
| V _{SSO} | 11 | output stage ground |
| D0 | 12 | data output; bit 0 (Least Significant Bit (LSB)) |
| D1 | 13 | data output; bit 1 |
| D2 | 14 | data output; bit 2 |
| D3 | 15 | data output; bit 3 |
| D4 | 16 | data output; bit 4 |
| D5 | 17 | data output; bit 5 |

Table 3. Pin description ...continued

| Symbol | Pin | Description |
|------------------|-----|---|
| D6 | 18 | data output; bit 6 |
| D7 | 19 | data output; bit 7 (Most Significant Bit (MSB)) |
| V _{DDO} | 20 | positive supply voltage for output stage (2.7 V to 5.5 V) |

8. Limiting values

Table 4. Limiting values

In accordance with the Absolute Maximum Rating System (IEC 60134).

| Symbol | Parameter | Conditions | Min | Max | Unit |
|--------------------------|----------------------------------|---|----------|------------------|------|
| V _{DDA} | analog supply voltage | | [1] -0.3 | +7.0 | V |
| V _{DDD} | digital supply voltage | | [1] -0.3 | +7.0 | V |
| V _{DDO} | output supply voltage | | [1] -0.3 | +7.0 | V |
| ΔV_{DD} | supply voltage difference | V _{DDA} - V _{DDD} ; V _{DDD} - V _{DDO} ; V _{DDA} - V _{DDO} | -0.1 | +4.0 | V |
| V _I | input voltage | referenced to V _{SSA} | -0.3 | +7.0 | V |
| V _{i(clk)(p-p)} | peak-to-peak clock input voltage | referenced to V _{SSD} | - | V _{DDD} | V |
| I _O | output current | | - | 10 | mA |
| T _{stg} | storage temperature | | -55 | +150 | °C |
| T _{amb} | ambient temperature | | -20 | +75 | °C |
| T _j | junction temperature | | - | 150 | °C |

[1] The supply voltages V_{DDA}, V_{DDD} and V_{DDO} may have any value between -0.3 V and +7.0 V provided that the supply voltage ΔV_{DD} remains as indicated.

9. Thermal characteristics

Table 5. Thermal characteristics

| Symbol | Parameter | Condition | Value | Unit |
|----------------------|---|-------------|-------|------|
| R _{th(j-a)} | thermal resistance from junction to ambient | in free air | 120 | K/W |

10. Characteristics

Table 6. Characteristics

V_{DDA} = V5 to V6 = 3.3 V; V_{DDD} = V3 to V4 = 3.3 V; V_{DDO} = V20 to V11 = 3.3 V; V_{SSA}, V_{SSD} and V_{SSO} shorted together; V_{i(a)(p-p)} = 1.84 V; C_L = 20 pF; T_{amb} = 0 °C to 70 °C; typical values measured at T_{amb} = 25 °C unless otherwise specified.

| Symbol | Parameter | Conditions | Min | Typ | Max | Unit |
|------------------|------------------------|------------|-----|-----|-----|------|
| Supplies | | | | | | |
| V _{DDA} | analog supply voltage | | 2.7 | 3.3 | 5.5 | V |
| V _{DDD} | digital supply voltage | | 2.7 | 3.3 | 5.5 | V |
| V _{DDO} | output supply voltage | | 2.5 | 3.3 | 5.5 | V |

Table 6. Characteristics ...continued

$V_{DDA} = V5$ to $V6 = 3.3$ V; $V_{DDD} = V3$ to $V4 = 3.3$ V; $V_{DDO} = V20$ to $V11 = 3.3$ V; V_{SSA} , V_{SSD} and V_{SSO} shorted together; $V_{I(a)(p-p)} = 1.84$ V; $C_L = 20$ pF; $T_{amb} = 0$ °C to 70 °C; typical values measured at $T_{amb} = 25$ °C unless otherwise specified.

| Symbol | Parameter | Conditions | Min | Typ | Max | Unit |
|-----------------|---------------------------|--|------|-----|-------|------|
| ΔV_{DD} | supply voltage difference | $V_{DDA} - V_{DDD}$ | -0.2 | - | +0.2 | V |
| | | $V_{DDD} - V_{DDO}$ | -0.2 | - | +2.25 | V |
| I_{DDA} | analog supply current | | - | 4 | 6 | mA |
| I_{DDD} | digital supply current | | - | 5 | 8 | mA |
| I_{DDO} | output supply current | $f_{clk} = 40$ MHz; ramp input; $C_L = 20$ pF | - | 1 | 2 | mA |
| P_{tot} | total power dissipation | $V_{DDA} = V_{DDD} = V_{DDO} = 3.3$ V | - | 30 | 53 | mW |

Inputs

Clock input CLK (Referenced to V_{SSD})^[1]

| | | | | | | |
|----------|--------------------------|-------------------------|---------------|---|---------------|------------|
| V_{IL} | LOW-level input voltage | | 0 | - | $0.3 V_{DDD}$ | V |
| V_{IH} | HIGH-level input voltage | $V_{DDD} \leq 3.6$ V | $0.6 V_{DDD}$ | - | V_{DDD} | V |
| | | $V_{DDD} > 3.6$ V | $0.7 V_{DDD}$ | - | V_{DDD} | V |
| I_{IL} | LOW-level input current | $V_{clk} = 0.3 V_{DDD}$ | -1 | 0 | +1 | μ A |
| I_{IH} | HIGH-level input current | $V_{clk} = 0.7 V_{DDD}$ | - | - | 5 | μ A |
| Z_i | input impedance | $f_{clk} = 40$ MHz | - | 4 | - | k Ω |
| C_i | input capacitance | $f_{clk} = 40$ MHz | - | 3 | - | pF |

Input SLEEP (Referenced to V_{SSD}); see Table 8

| | | | | | | |
|----------|--------------------------|------------------------|---------------|---|---------------|---------|
| V_{IL} | LOW-level input voltage | | 0 | - | $0.3 V_{DDD}$ | V |
| V_{IH} | HIGH-level input voltage | $V_{DDD} \leq 3.6$ V | $0.6 V_{DDD}$ | - | V_{DDD} | V |
| | | $V_{DDD} > 3.6$ V | $0.7 V_{DDD}$ | - | V_{DDD} | V |
| I_{IL} | LOW-level input current | $V_{IL} = 0.3 V_{DDD}$ | -1 | - | - | μ A |
| I_{IH} | HIGH-level input current | $V_{IH} = 0.7 V_{DDD}$ | - | - | +1 | μ A |

Analog input VI (Referenced to V_{SSA})

| | | | | | | |
|----------|--------------------------|----------------|---|----|---|------------|
| I_{IL} | LOW-level input current | $V_I = V_{RB}$ | - | 0 | - | μ A |
| I_{IH} | HIGH-level input current | $V_I = V_{RT}$ | - | 9 | - | μ A |
| Z_i | input impedance | $f_i = 1$ MHz | - | 20 | - | k Ω |
| C_i | input capacitance | $f_i = 1$ MHz | - | 2 | - | pF |

Reference voltages for the resistor ladder; see Table 7

| | | | | | | |
|-----------------|---|-----------------------|---------|------|-----------|---------------|
| V_{RB} | voltage on pin RB | | 1.1 | 1.2 | - | V |
| V_{RT} | voltage on pin RT | $V_{RT} \leq V_{DDA}$ | 2.7 | 3.3 | V_{DDA} | V |
| $V_{ref(dif)}$ | differential reference voltage | $V_{RT} - V_{RB}$ | 1.5 | 2.1 | 2.7 | V |
| I_{ref} | reference current | | - | 0.95 | - | mA |
| R_{lad} | ladder resistance | | - | 2.2 | - | k Ω |
| TC_{Rlad} | ladder resistor temperature coefficient | | - | 4092 | - | m Ω /K |
| V_{offset} | offset voltage | BOTTOM | [2] - | 170 | - | mV |
| | | TOP | [2] - | 170 | - | mV |
| $V_{I(a)(p-p)}$ | peak-to-peak analog input voltage | | [3] 1.4 | 1.76 | 2.4 | V |

Table 6. Characteristics ...continued

$V_{DDA} = V5$ to $V6 = 3.3$ V; $V_{DDD} = V3$ to $V4 = 3.3$ V; $V_{DDO} = V20$ to $V11 = 3.3$ V; V_{SSA} , V_{SSD} and V_{SSO} shorted together; $V_{i(a)(p-p)} = 1.84$ V; $C_L = 20$ pF; $T_{amb} = 0$ °C to 70 °C; typical values measured at $T_{amb} = 25$ °C unless otherwise specified.

| Symbol | Parameter | Conditions | Min | Typ | Max | Unit |
|---|----------------------------|--|------------------|-------|-----------|------|
| Digital outputs D7 to D0 and IR (Referenced to V_{SSD}) | | | | | | |
| V_{OL} | LOW-level output voltage | $I_O = 1$ mA | 0 | - | 0.5 | V |
| V_{OH} | HIGH-level output voltage | $I_O = -1$ mA | $V_{DDO} - 0.5$ | - | V_{DDO} | V |
| I_{OZ} | OFF-state output current | 0.4 V < V_O < V_{DDO} | -20 | - | +20 | μA |
| Clock input CLK; see Figure 4^[1] | | | | | | |
| $f_{clk(max)}$ | maximum clock frequency | | 40 | - | - | MHz |
| $t_{w(clk)H}$ | HIGH clock pulse width | | 9 | - | - | ns |
| $t_{w(clk)L}$ | LOW clock pulse width | | 9 | - | - | ns |
| Analog signal processing ($f_{clk} = 40$ MHz) | | | | | | |
| Linearity | | | | | | |
| INL | integral non-linearity | ramp input; see Figure 6 | - | ±0.5 | ±0.75 | LSB |
| DNL | differential non-linearity | ramp input; see Figure 7 | - | ±0.25 | ±0.5 | LSB |
| Bandwidth | | | | | | |
| B | bandwidth | full-scale sine wave | ^[4] - | 10 | - | MHz |
| | | 75 % full-scale sine wave | - | 13 | - | MHz |
| | | 50 % full-scale sine wave | - | 20 | - | MHz |
| | | small signal at mid scale; $V_i = \pm 10$ LSB at code 128 | - | 350 | - | MHz |
| Input set response; see Figure 8^[5] | | | | | | |
| $t_{s(LH)}$ | LOW to HIGH settling time | full-scale square wave | - | 3 | 5 | ns |
| $t_{s(HL)}$ | HIGH to LOW settling time | full-scale square wave | - | 3 | 5 | ns |
| Harmonics; see Figure 9^[6] | | | | | | |
| THD | total harmonic distortion | $f_i = 4.43$ MHz | - | -50 | - | dB |
| Signal-to-Noise ratio; see Figure 9^[6] | | | | | | |
| S/N | signal-to-noise ratio | without harmonics; $f_i = 4.43$ MHz | - | 47 | - | dB |
| Effective bits; see Figure 9^[6] | | | | | | |
| ENOB | effective number of bits | $f_i = 300$ MHz | - | 7.8 | - | bits |
| | | $f_i = 4.43$ MHz | - | 7.3 | - | bits |
| Differential gain^[7] | | | | | | |
| G_{dif} | differential gain | PAL modulated ramp | - | 1.5 | - | % |

Table 6. Characteristics ...continued

$V_{DDA} = V5$ to $V6 = 3.3$ V; $V_{DDD} = V3$ to $V4 = 3.3$ V; $V_{DDO} = V20$ to $V11 = 3.3$ V; V_{SSA} , V_{SSD} and V_{SSO} shorted together; $V_{I(a)(p-p)} = 1.84$ V; $C_L = 20$ pF; $T_{amb} = 0$ °C to 70 °C; typical values measured at $T_{amb} = 25$ °C unless otherwise specified.

| Symbol | Parameter | Conditions | Min | Typ | Max | Unit |
|---|---------------------------------|--------------------|-----|------|-----|------|
| Differential phase^[7] | | | | | | |
| φ_{dif} | differential phase | PAL modulated ramp | - | 0.25 | - | deg |
| Timing ($f_{clk} = 40$ MHz; $C_L = 20$ pF); see Figure 4^[8] | | | | | | |
| $t_{d(s)}$ | sampling delay time | | - | - | 5 | ns |
| $t_{h(o)}$ | output hold time | | 5 | - | - | ns |
| $t_{d(o)}$ | output delay time | $V_{DDO} = 4.75$ V | 8 | 12 | 15 | ns |
| | | $V_{DDO} = 3.15$ V | 8 | 17 | 20 | ns |
| | | $V_{DDO} = 2.7$ V | 8 | 18 | 21 | ns |
| 3-state output delay times; see Figure 5 | | | | | | |
| t_{dHZ} | active HIGH to float delay time | | - | 14 | 18 | ns |
| t_{dZL} | float to active LOW delay time | | - | 16 | 20 | ns |
| t_{dZH} | float to active HIGH delay time | | - | 16 | 20 | ns |
| t_{dLZ} | active LOW to float delay time | | - | 14 | 18 | ns |

- [1] In addition to a good layout of the digital and analog ground, it is recommended that the rise and fall times of the clock must not be less than 1 ns.
- [2] Analog input voltages producing code 0 up to and including code 255:
- $V_{offset\ BOTTOM}$ is the difference between the analog input which produces data equal to 00 and the reference voltage on pin RB (V_{RB}) at $T_{amb} = 25$ °C.
 - $V_{offset\ TOP}$ is the difference between the reference voltage on pin RT (V_{RT}) and the analog input which produces data outputs equal to code 255 at $T_{amb} = 25$ °C.
- [3] To ensure the optimum linearity performance of such a converter architecture the lower and upper extremities of the converter reference resistor ladder are connected to pins RB and RT via offset resistors R_{OB} and R_{OT} as shown in Figure 3.
- The current flowing into the resistor ladder is $I = \frac{V_{RT} - V_{RB}}{R_{OB} + R_L + R_{OT}}$ and the full-scale input range at the converter, to cover code 0 to 255 is $V_I = R_L \times I_L = \frac{R_L}{R_{OB} + R_L + R_{OT}} \times (V_{RT} + V_{RB}) = 0.838 \times (V_{RT} - V_{RB})$
 - Since R_L , R_{OB} and R_{OT} have similar behavior with respect to process and temperature variation, the ratio $\frac{R_L}{R_{OB} + R_L + R_{OT}}$ will be kept reasonably constant from device to device. Consequently variation of the output codes at a given input voltage depends mainly on the difference $V_{RT} - V_{RB}$ and its variation with temperature and supply voltage. When several ADCs are connected in parallel and fed with the same reference source, the matching between each of them is optimized.
- [4] The analog bandwidth is defined as the maximum input sine wave frequency which can be applied to the device. No glitches greater than 2 LSB, nor any significant attenuation is observed in the reconstructed signal.
- [5] The analog input settling time is the minimum time required for the input signal to be stabilized after a sharp full-scale input (square wave signal) in order to sample the signal and obtain correct output data.
- [6] Effective bits are obtained via a Fast Fourier Transform (FFT) treatment taking 8000 acquisition points per equivalent fundamental period. The calculation takes into account all harmonics and noise up to half of the clock frequency (Nyquist frequency). Conversion to signal-to-noise ratio: $S/N = ENOB \times 6.02 + 1.76$ dB.
- [7] Measurement carried out using video analyzer VM700A, where video analog signal is reconstructed through a DAC.
- [8] Output data acquisition: the output data is available after the maximum delay time of $t_{d(o)}$.

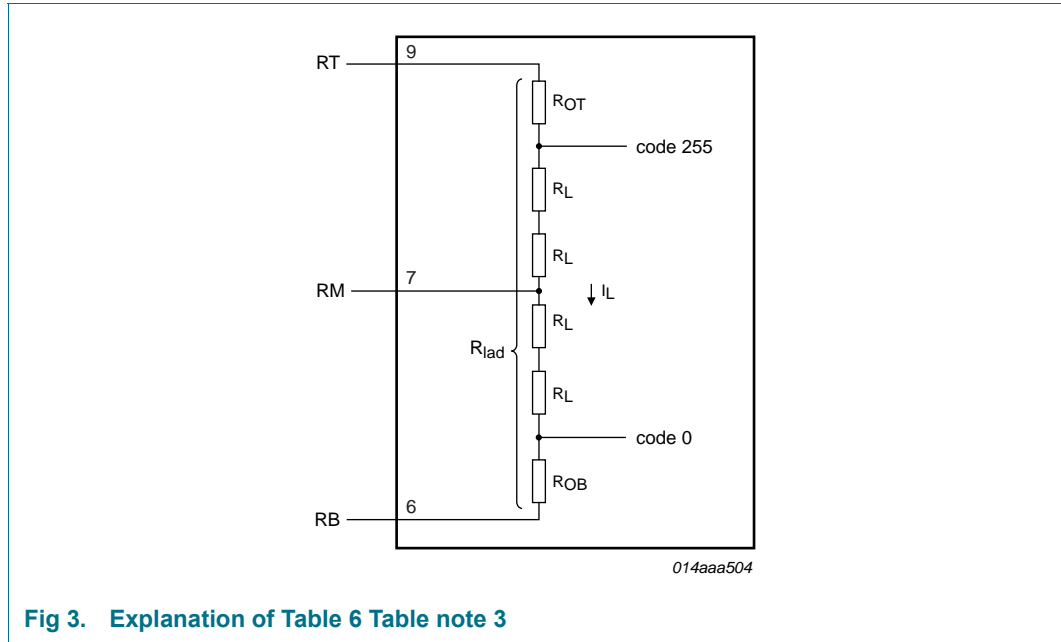


Fig 3. Explanation of Table 6 Table note 3

11. Additional information relating to Table 6

Table 7. Output coding and input voltage (typical values; referenced to V_{SSA})

| Code | V _{i(a)(p-p)} (V) | Binary outputs D7 to D0 |
|-----------|----------------------------|-------------------------|
| Underflow | < 1.37 | 00 0000 00 |
| 0 | 1.37 | 00 0000 00 |
| 1 | - | 00 0000 01 |
| ↓ | - | ↓ |
| 254 | - | 11 11 11 10 |
| 255 | 3.13 | 11 11 11 11 |
| Overflow | > 3.13 | 11 11 11 11 |

Table 8. Mode selection

| SLEEP | D7 to D0 | I _{DDA} + I _{DDD} (typ) |
|-------|----------------|---|
| 1 | high impedance | 1.2 mA |
| 0 | active | 9 mA |

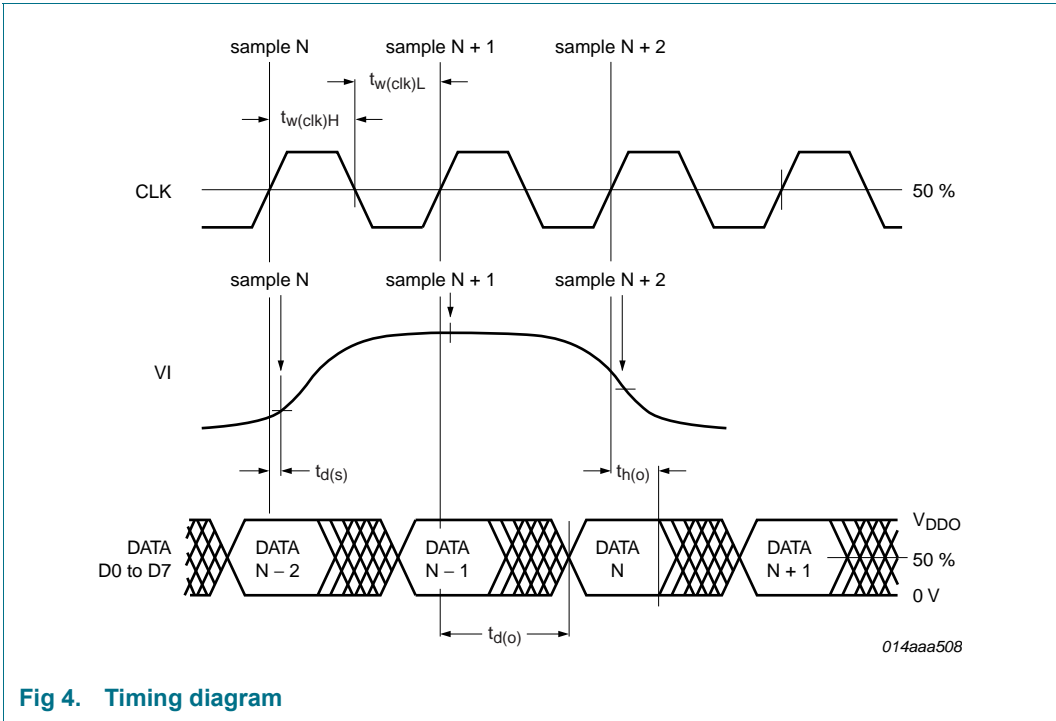
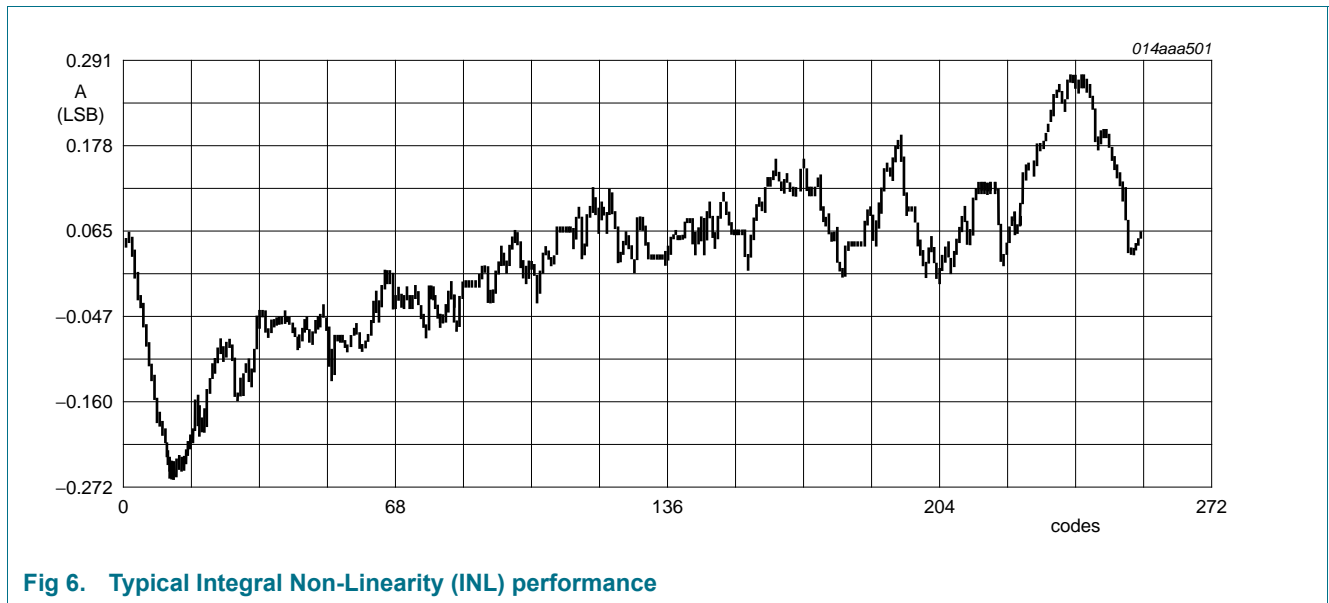
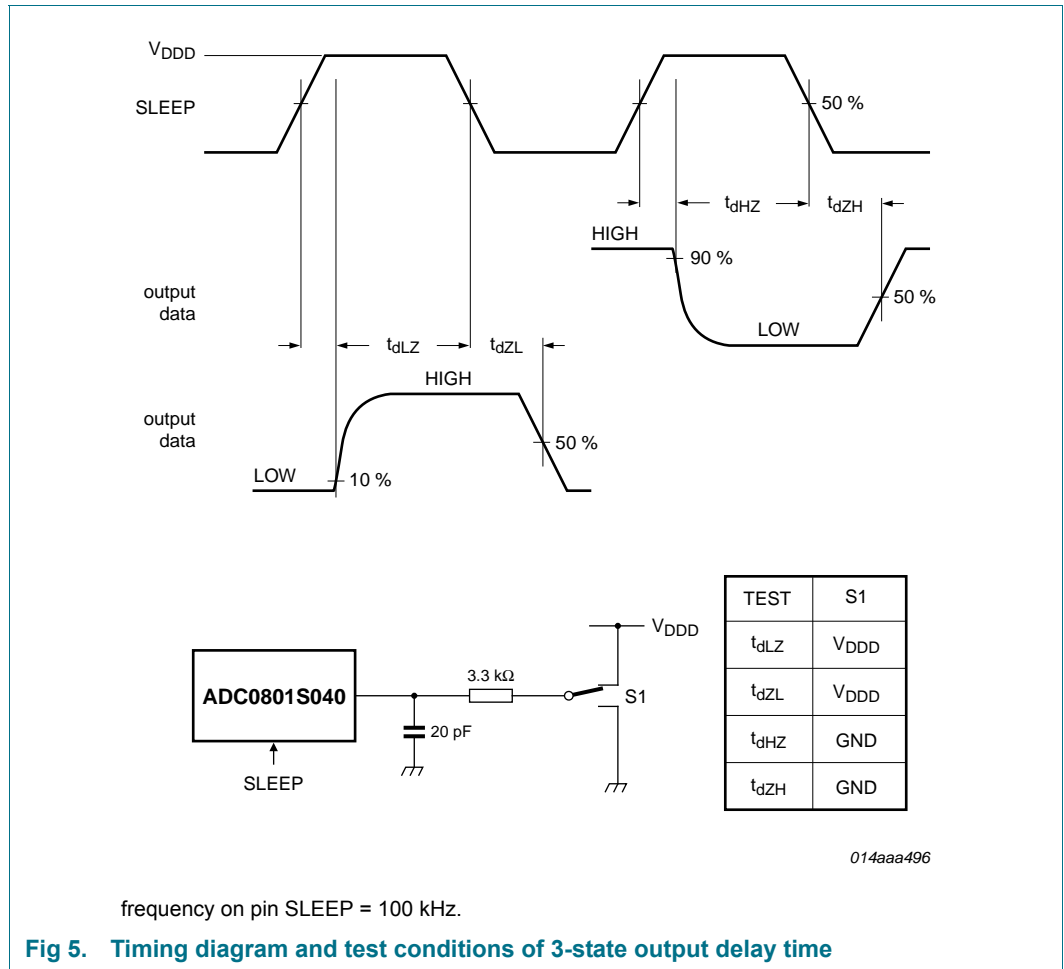


Fig 4. Timing diagram



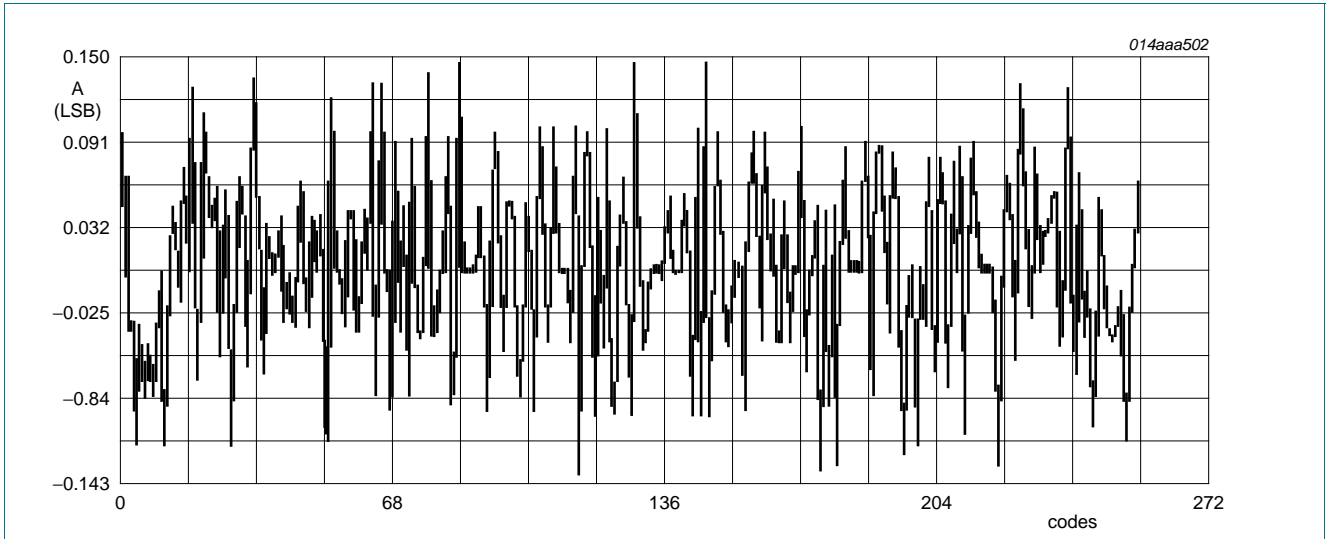


Fig 7. Typical Differential Non-Linearity (DNL) performance

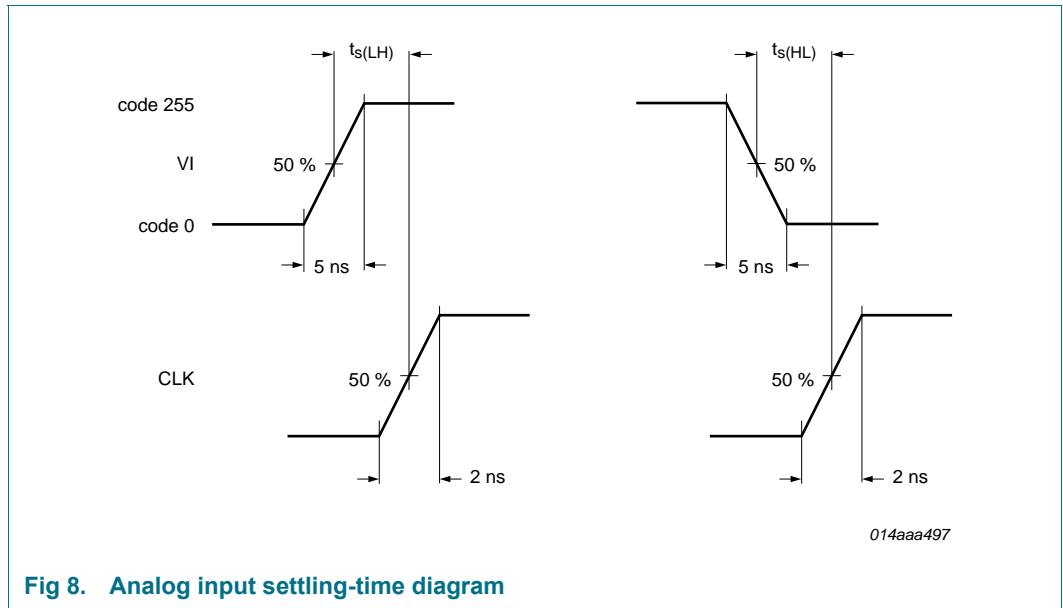
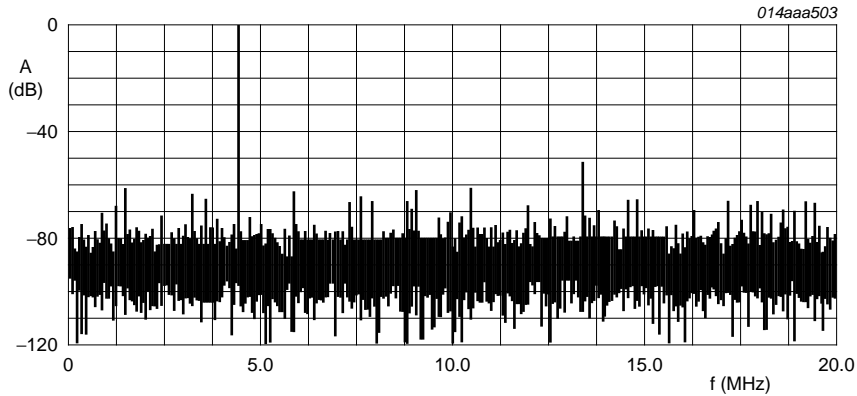


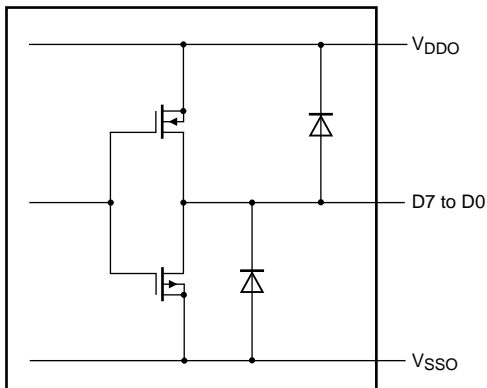
Fig 8. Analog input settling-time diagram



Effective bits: 7.32; THD = -51.08 dB.

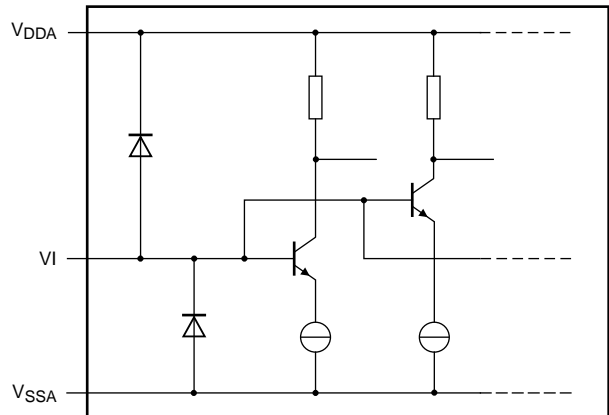
Harmonic levels (dB): 2nd = -68.99; 3rd = -51.62; 4th = -66.05; 5th = -63.23; 6th = -72.79.

Fig 9. Typical fast Fourier transform ($f_{clk} = 40$ MHz; $f_i = 4.43$ MHz)



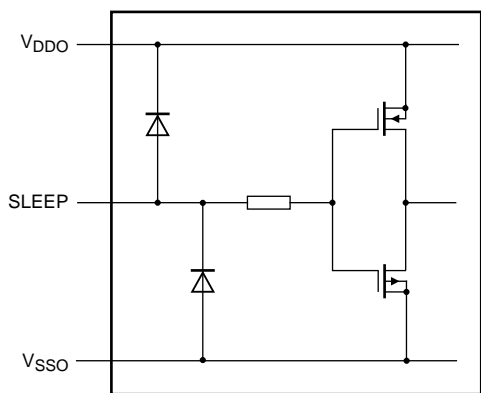
014aaa498

Fig 10. CMOS data outputs



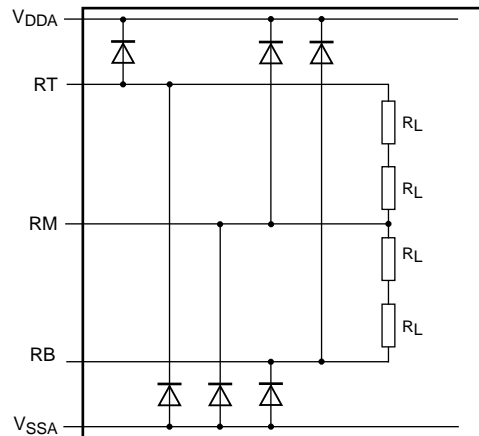
014aaa505

Fig 11. VI analog input



014aaa499

Fig 12. SLEEP 3-state input



014aaa506

Fig 13. RB, RM and RT inputs

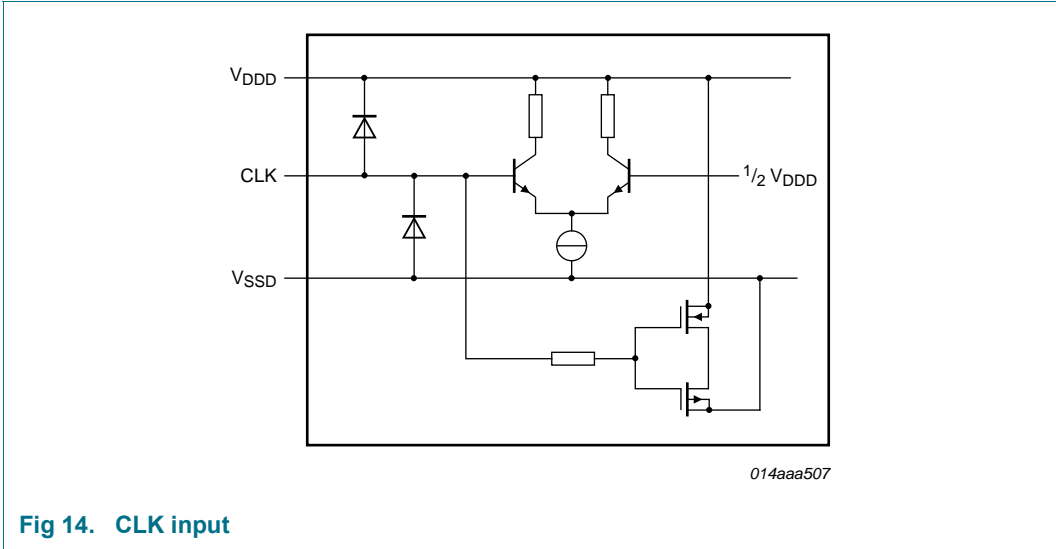


Fig 14. CLK input

12. Application information

12.1 Application diagrams

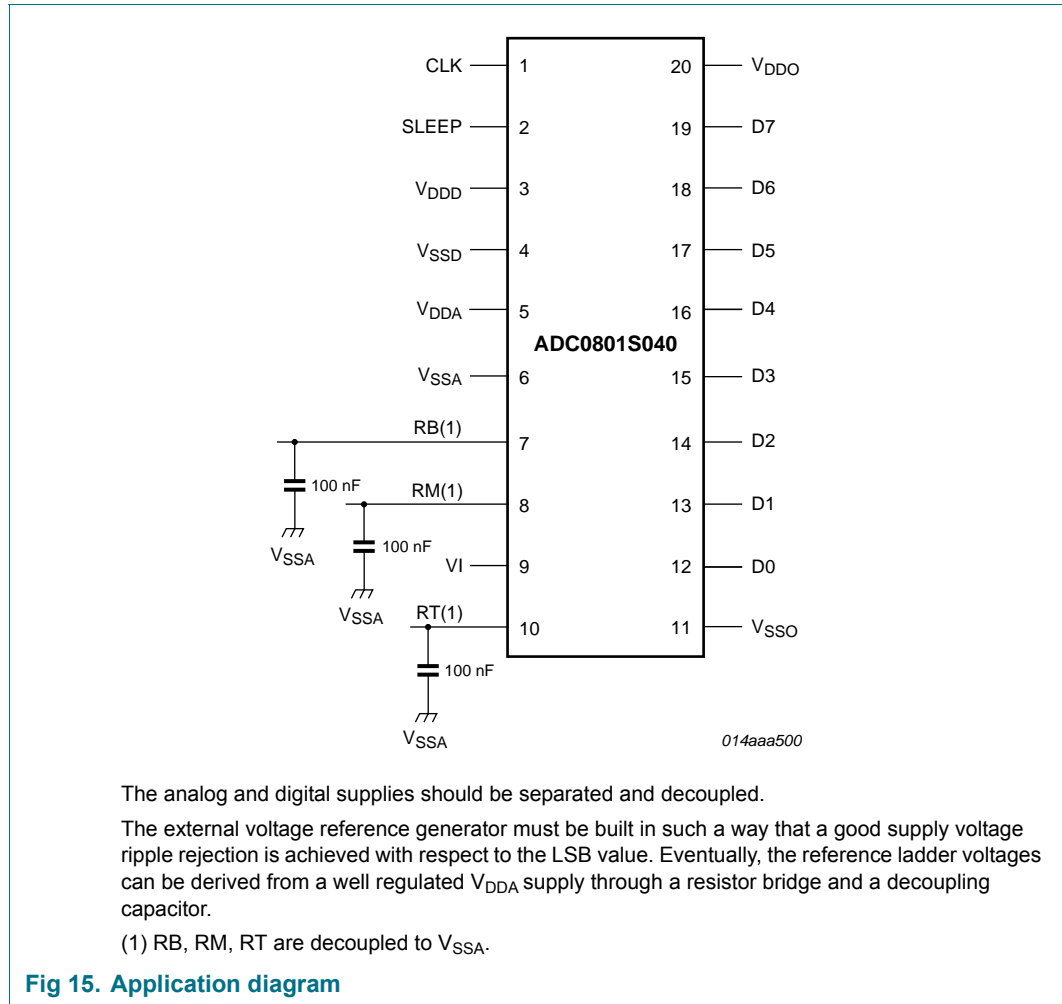


Fig 15. Application diagram

13. Package outline

SSOP20: plastic shrink small outline package; 20 leads; body width 4.4 mm

SOT266-1

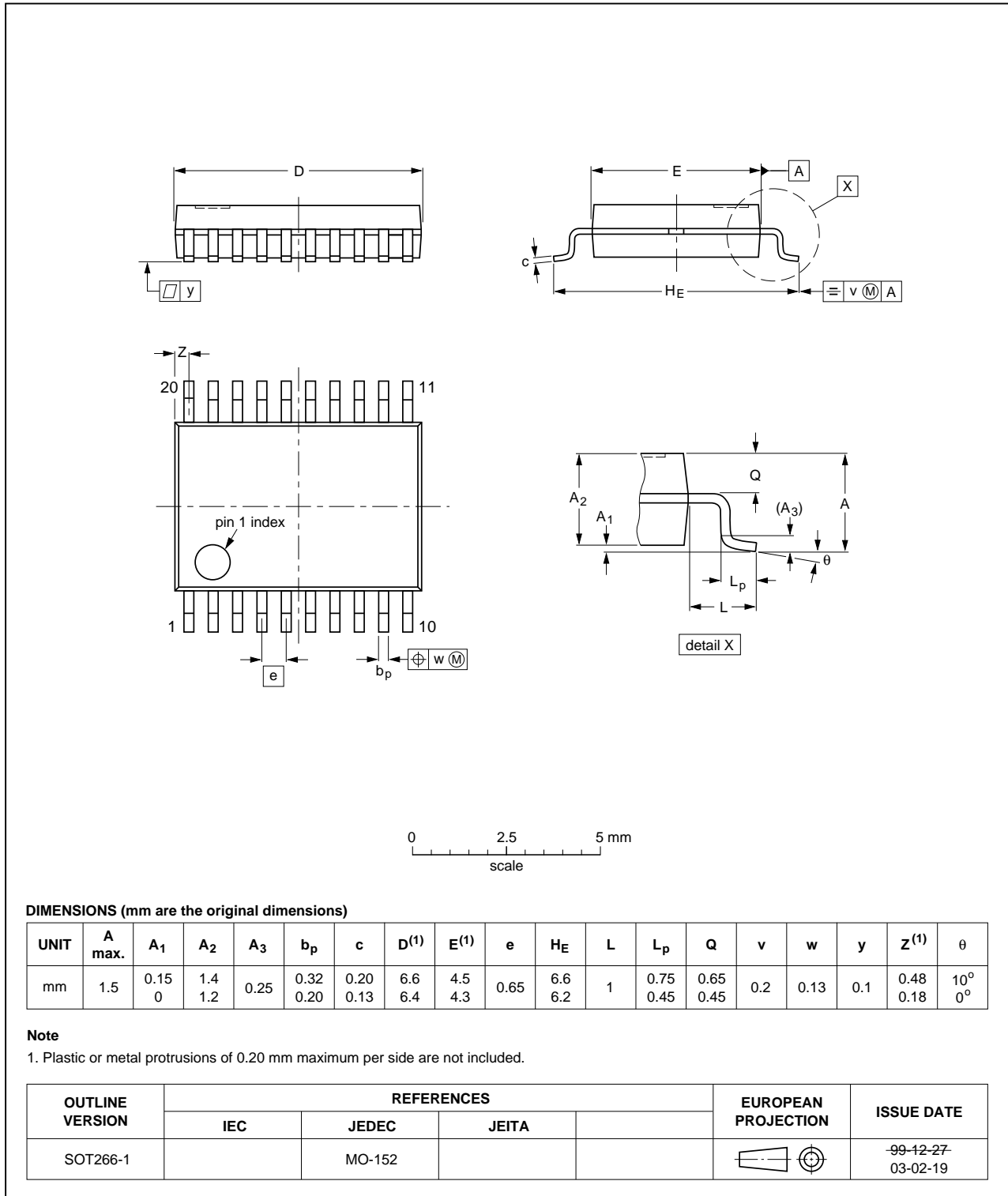


Fig 16. Package outline SOT266-1 (SSOP20)

14. Revision history

Table 9. Revision history

| Document ID | Release date | Data sheet status | Change notice | Supersedes |
|----------------|--------------|---|---------------|---------------|
| ADC0801S040_3 | 20120702 | Product data sheet | - | ADC0801S040_2 |
| ADC0801S040_2 | 20080818 | Product data sheet | - | ADC0801S040_1 |
| Modifications: | | <ul style="list-style-type: none">• Corrections made to table notes in Figure 1.• Corrections made to Table 3.• Corrections made to symbol in Table 4.• Corrections made to Table 6.• Corrections made to Figure 13 | | |
| ADC0801S040_1 | 20080612 | Product data sheet | - | - |

15. Contact information

For more information or sales office addresses, please visit: <http://www.idt.com>

16. Contents

| | | | | | |
|----------|-----------------------------------|----------|-------------|---|-----------|
| 1 | General description | 1 | 9 | Thermal characteristics | 5 |
| 2 | Features | 1 | 10 | Characteristics | 5 |
| 3 | Applications | 1 | 11 | Additional information relating to Table 6 ... | 9 |
| 4 | Quick reference data | 2 | 12 | Application information | 15 |
| 5 | Ordering information | 2 | 12.1 | Application diagrams | 15 |
| 6 | Block diagram | 3 | 13 | Package outline | 16 |
| 7 | Pinning information | 4 | 14 | Revision history | 17 |
| 7.1 | Pinning | 4 | 15 | Contact information | 17 |
| 7.2 | Pin description | 4 | 16 | Contents | 18 |
| 8 | Limiting values | 5 | | | |