

4

3

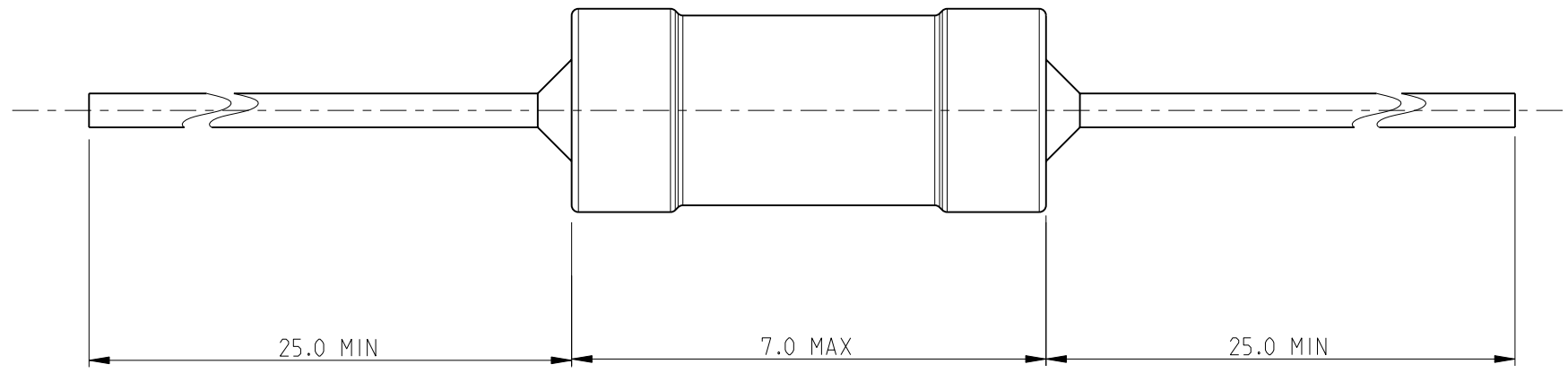
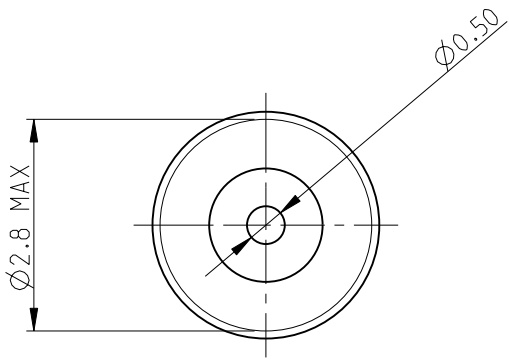
2

1

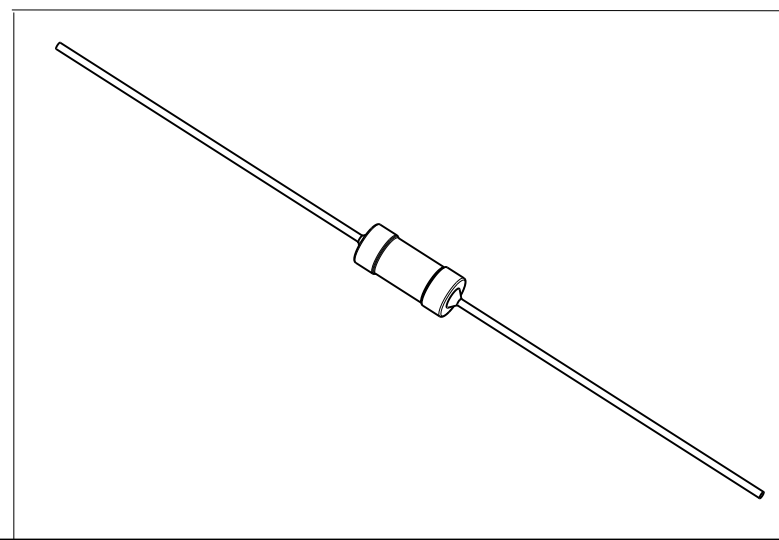
THIS DRAWING IS UNPUBLISHED. RELEASED FOR PUBLICATION 2010
 © COPYRIGHT 2010 BY TYCO ELECTRONICS CORPORATION. ALL RIGHTS RESERVED.

| LOC | DIST | REVISIONS | | | | |
|-----|------|-------------|-------------|-----------|------|------|
| P | LTR | DESCRIPTION | DATE | DWN | APVD | |
| E | B | BA | NEW RELEASE | 05AUG2010 | PT | St.P |

FOR FURTHER INFORMATION SEE DATA SHEET FOR
 SERIES SC - AXIAL LEADED POWER INDUCTORS



RoHS Compliant



| | | | | | |
|---|--|---|-----------------|---|--|
| <small>THIS DRAWING IS A CONTROLLED DOCUMENT FOR TYCO ELECTRONICS CORPORATION IT IS SUBJECT TO CHANGE AND THE CONTROLLING ENGINEERING ORGANIZATION SHOULD BE CONTACTED FOR THE LATEST REVISION.</small> | | DWN 05AUG2010 PARUSURAM.T CHK 05AUG2010 ALLAN.P APVD 05AUG2010 STEPHEN.P PRODUCT SPEC - APPLICATION SPEC - WEIGHT - | | Tyco Electronics Corporation Dorcan, Swindon, SN3 5HH NAME AXIAL LEADED POWER INDUCTORS SERIES SC30 | |
| DIMENSIONS: mm | TOLERANCES UNLESS OTHERWISE SPECIFIED: 0 PLC ±0.2 1 PLC ±0.1 2 PLC ±- 3 PLC ±- 4 PLC ±- ANGLES ±5° MATERIAL - FINISH - | SIZE A3 CAGE CODE 00779 DRAWING NO C-1624029 | RESTRICTED TO - | | |
| CUSTOMER DRAWING | | SCALE 10:1 | SHEET 1 OF 1 | REV BA | |