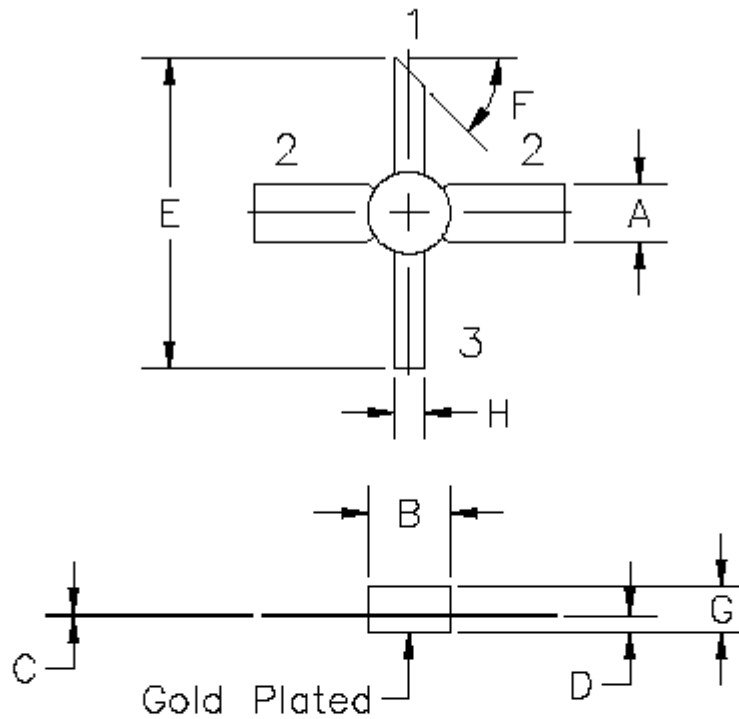




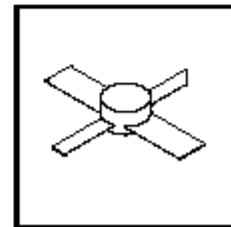
# 1015MP CASE DRAWING:



**STYLE 1:**  
**PIN1 = COLLECTOR**  
**2 = BASE (2X)**  
**3 = EMITTER**

**STYLE 2:**  
**PIN1 = COLLECTOR**  
**2 = EMITTER (2X)**  
**3 = BASE**

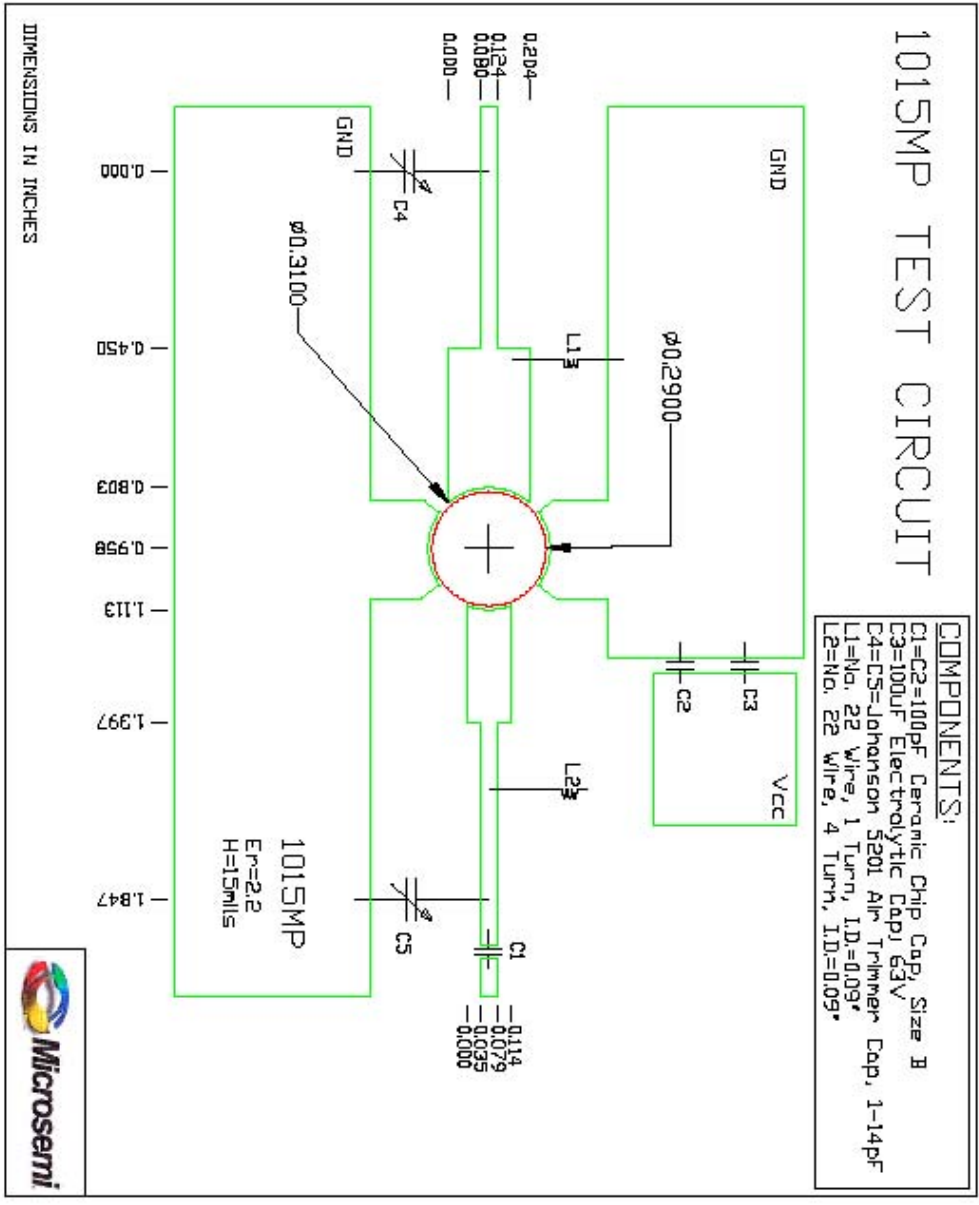
DIM	MILLIMETER	±TOL	INCHES	±TOL
A	5.08	.13	.200	.005
B	7.11 DIA	.13	.280 DIA	.005
C	0.13	.02	.005	.001
D	1.40	.13	.055	.005
E	26.92	.64	1.060	.025
F	45°	5°	45°	5°
G	3.94	REF	.155	REF
H	2.54	.13	.100	.005



DWG NO.

**55FW**

# 1015MP TEST CIRCUIT:



Microsemi reserves the right to change, without notice, the specifications and information contained herein. Visit our web site at [www.advancedpower.com](http://www.advancedpower.com) or contact our factory direct.