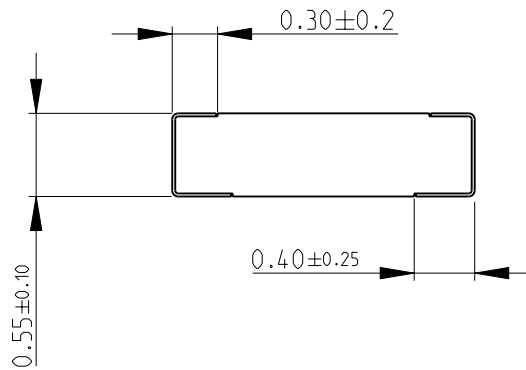
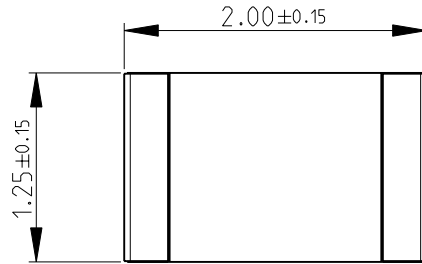
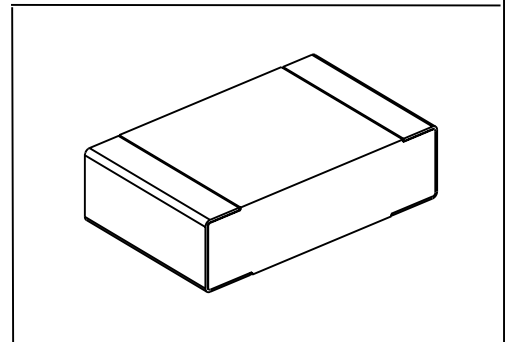
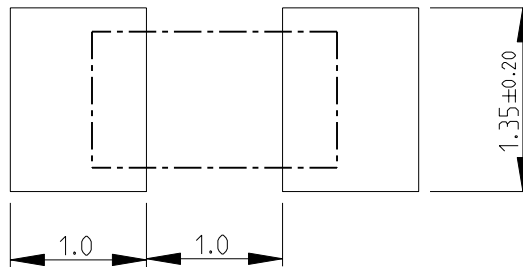


| LOC | DIST | REVISIONS   |             |           |      |      |
|-----|------|-------------|-------------|-----------|------|------|
| P   | LTR  | DESCRIPTION | DATE        | DWN       | APVD |      |
| E   | B    | BC          | NEW RELEASE | 10NOV2010 | PT   | St.P |

FOR FURTHER INFORMATION SEE DATA SHEET FOR  
RN73 SERIES-HIGH PRECISION RESISTORS (SMD)



RECOMMENDED LAND PATTERN



2010

RELEASED FOR PUBLICATION

THIS DRAWING IS UNPUBLISHED.

BY TYCO ELECTRONICS CORPORATION. ALL RIGHTS RESERVED.

|  |                    |           |  |           |            |               |
|--|--------------------|-----------|--|-----------|------------|---------------|
| DIMENSIONS:<br>mm                      | DWN<br>PARUSURAM.T | 10NOV2010 | MATERIAL   | -         | FINISH     | -             |
|  | CHK<br>ALLAN.P     | 10NOV2010 | Tyco Electronics Corporation<br>Dorcan, Swindon, SN3 5HH |           |            |               |
| TOLERANCES UNLESS OTHERWISE SPECIFIED: | APVD<br>STEPHEN.P  | 10NOV2010 |  |           |            |               |
| 0 PLC ±0.2                             | PRODUCT SPEC       | -         | NAME<br>HIGH PRECISION RESISTORS (SMD)<br>SERIES RN73 2A |           |            |               |
| 1 PLC ±0.1                             | APPLICATION SPEC   | -         |  |           |            |               |
| 2 PLC ±-                               | WEIGHT             | -         | SIZE   | CAGE CODE | DRAWING NO | RESTRICTED TO |
| 3 PLC ±-                               |                    |           | A 4  | 00779     | ©= 1676238 | -             |
| 4 PLC ±-                               |                    |           | CUSTOMER DRAWING   |           |            | SCALE 20:1    |
| ANGLES ±5°                             |                    |           | SHEET 1 OF 1   |           |            | REV BC        |