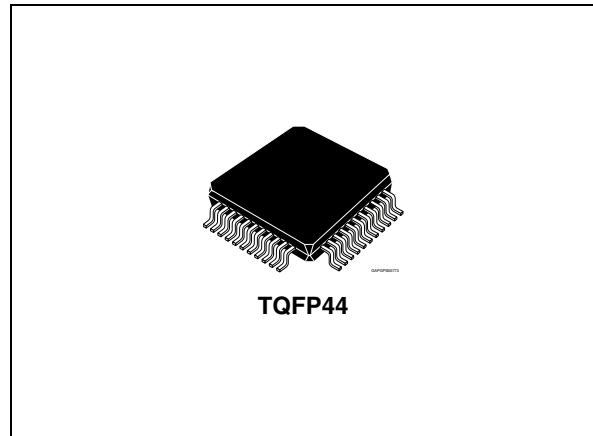


Car radio signal processor**Features**

- 3 stereo inputs
- 1 pseudo differential stereo input
- Volume control
- 7 band equalizer filter control
- High-pass filter for subwoofer application
- Directmute and softmute
- 4 independent speaker outputs
- Soft-step speaker control
- Subwoofer output with soft step
- 7 band spectrum analyzer
- Full mixing capability
- HPF2 with ZeroCross
- I²C bus interface

**Table 1. Device summary**

Order code	Package	Packing
E-TDA7416	TQFP44	Tray

Description

The device includes a high performance audio processor with 7 bands equalizer and spectrum analyzer.

The digital control allows a programming in a wide range of all the filter characteristics.

Contents

- 1 Block diagram 6**
- 2 Pins connection 7**
- 3 Electrical specifications 8**
 - 3.1 Supply 8
 - 3.2 Thermal data 8
 - 3.3 Absolute maximum ratings 8
 - 3.4 ESD 8
 - 3.5 Electrical characteristics 9
- 4 Description of the audio processor part 13**
 - 4.1 Audio processor features 13
 - 4.2 Input stages 14
 - 4.2.1 Pseudo-differential stereo input (IN1) 14
 - 4.2.2 Single-ended stereo inputs 15
 - 4.3 AutoZero 15
 - 4.3.1 AutoZero remain 15
 - 4.4 Loudness 15
 - 4.4.1 Attenuation 15
 - 4.4.2 Peak frequency 16
 - 4.4.3 Loudness filter order 16
 - 4.4.4 Flat mode 16
 - 4.5 Soft-mute 17
 - 4.6 Soft-step volume and speaker 17
 - 4.7 Equalizer filter 18
 - 4.7.1 Attenuation 18
 - 4.7.2 Center frequency 18
 - 4.7.3 Quality Factors 19
 - 4.7.4 Superposition of all equalizer filters 19
 - 4.7.5 DC-mode of equalizer band 1 (62/100 Hz) 20
 - 4.8 Subwoofer application 20
 - 4.9 Spectrum analyzer 21

4.10	AC coupling	22
4.11	Front speaker attenuator and mixing	22
4.12	Audio processor testing	23
4.13	Application diagram	23
5	I2C bus interface	24
5.1	Interface protocol	24
5.1.1	Auto increment	24
5.1.2	Transmitted data (send mode)	24
5.1.3	Reset condition	25
5.2	Subaddress (receive mode)	25
5.3	Data byte specification	26
5.3.1	Input selector (0)	26
5.3.2	Loudness (1)	26
5.3.3	Volume (2)	27
5.3.4	Equalizer (3,4,5,6,7,8,9)	28
5.3.5	Mixing programming (10)	29
5.3.6	Soft-mute and HPF2 (11)	30
5.3.7	Subwoofer configuration / spectrum analyzer / high-pass (12)	31
5.3.8	Configuration audio processor I (13)	32
5.3.9	Mixer level control (14)	33
5.3.10	Speaker and subwoofer level control (15,16,17,18,19)	33
5.3.11	Testing audio processor (20)	34
6	Package information	35
7	Revision history	36

List of tables

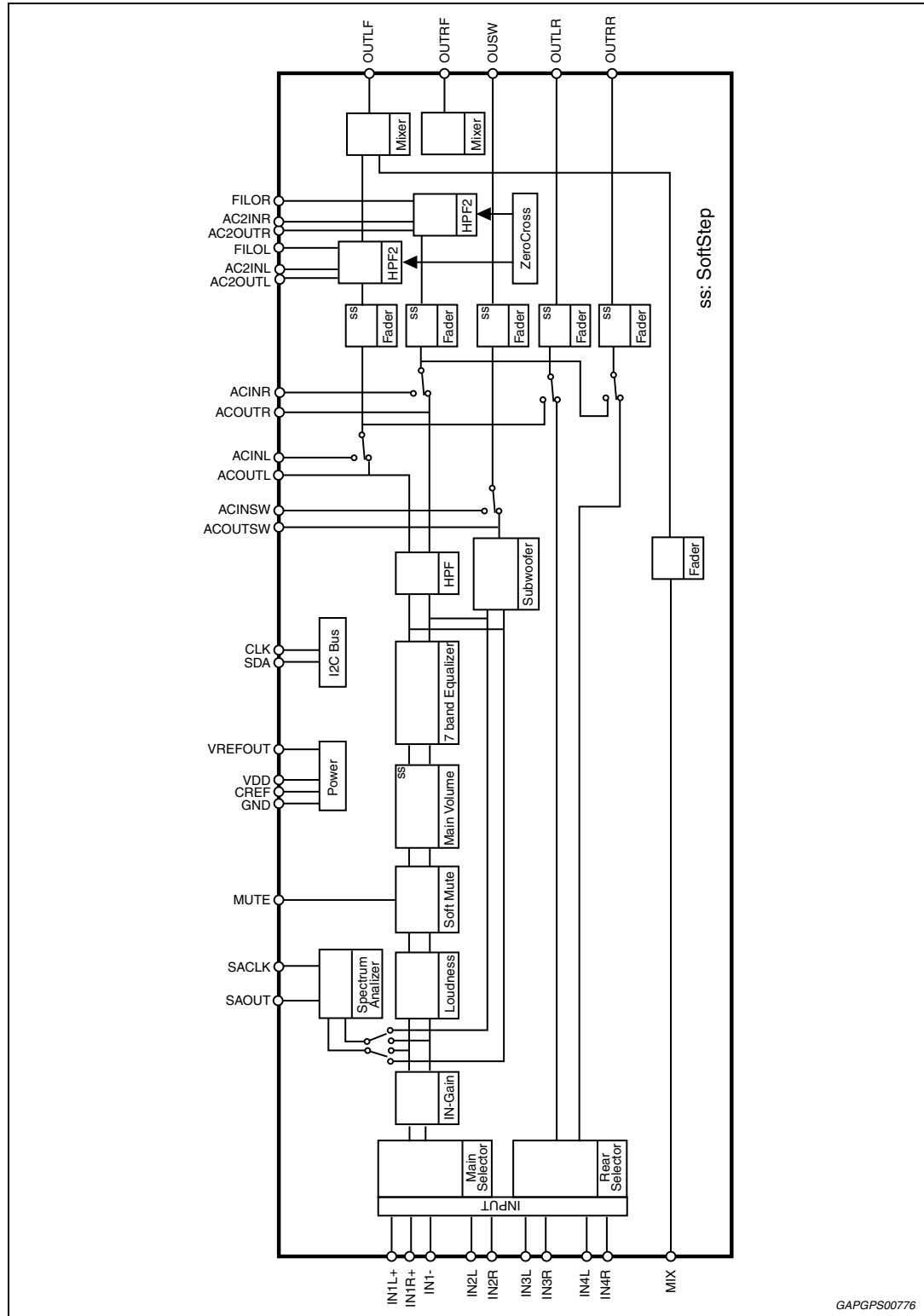
Table 1.	Device summary	1
Table 2.	Supply	8
Table 3.	Thermal data	8
Table 4.	Absolute maximum ratings	8
Table 5.	Electrical characteristics	9
Table 6.	Subaddress (receive mode)	25
Table 7.	Input selector (0)	26
Table 8.	Loudness (1)	26
Table 9.	Volume (2)	27
Table 10.	Equalizer (3,4,5,6,7,8,9)	28
Table 11.	Mixing programming (10)	29
Table 12.	Soft-mute and HPF2 (11)	30
Table 13.	Subwoofer configuration / spectrum analyzer / high-pass (12)	31
Table 14.	Configuration audio processor I (13)	32
Table 15.	Mixer level control (14)	33
Table 16.	Speaker and subwoofer level control (15,16,17,18,19)	33
Table 17.	Testing audio processor (20)	34
Table 18.	Document revision history	36

List of figures

Figure 1.	Block diagram	6
Figure 2.	Pins connection (top view)	7
Figure 3.	Input stages	14
Figure 4.	Loudness attenuation @ $f_P = 400$ Hz	15
Figure 5.	Loudness center frequencies @ Attn. = 15 dB	16
Figure 6.	1 st and 2 nd order loudness @ Attn. = 15 dB, $f_P = 400$ Hz	16
Figure 7.	Soft-mute timing	17
Figure 8.	Soft-step timing for volume	17
Figure 9.	Equalizer filter control @ $f_{Center} = 1$ kHz, $Q = 1.0$	18
Figure 10.	Center frequencies @ Gain = 15dB, $Q = 1.0$	18
Figure 11.	Quality factors @ boost = 15dB, $f_{Center} = 1$ kHz	19
Figure 12.	Superposition of all EQ bands @ boost = 15dB	19
Figure 13.	EQ band1, normal- and DC-mode @ boost = 15 dB, $f_{Center} = 62$ Hz	20
Figure 14.	Subwoofer application with low-pass @ 80/120/160Hz and high-pass @ 90/135/180Hz . 20	
Figure 15.	Spectrum analyzer block diagram	21
Figure 16.	Timing spectrum analyzer	21
Figure 17.	AC/DC coupling	22
Figure 18.	Output selector	22
Figure 19.	Application diagram	23
Figure 20.	Interface protocol	24
Figure 21.	TQFP44 mechanical data and package dimensions	35

1 Block diagram

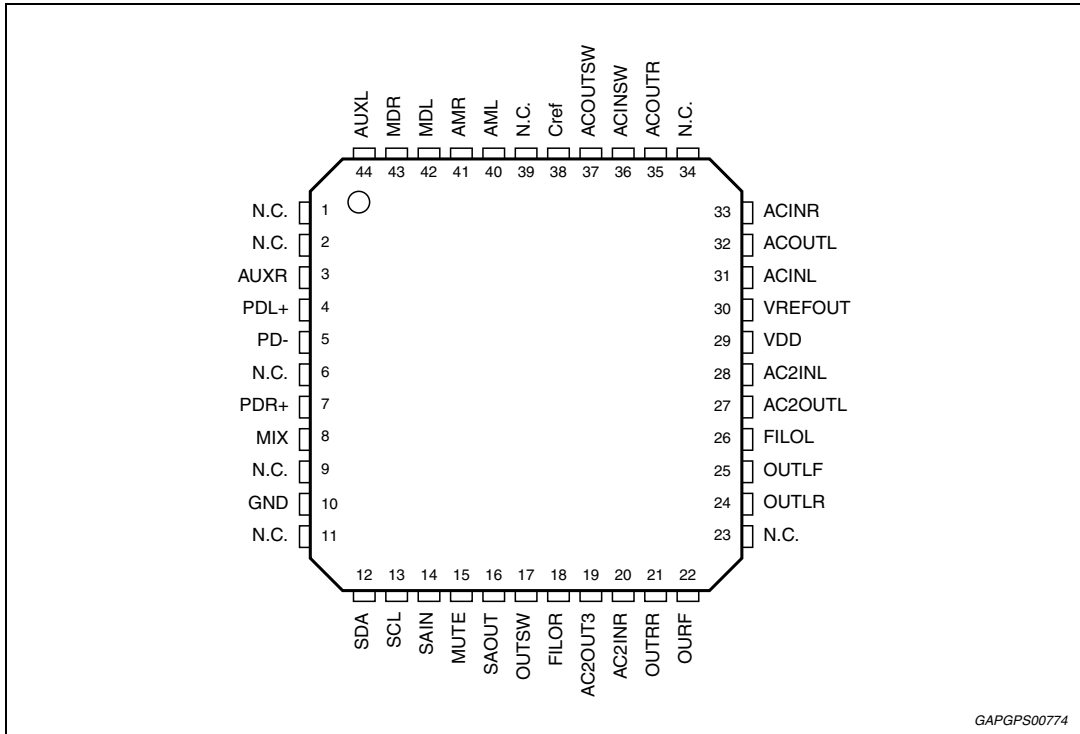
Figure 1. Block diagram



GAPGPS00776

2 Pins connection

Figure 2. Pins connection (top view)



3 Electrical specifications

3.1 Supply

Table 2. Supply

Symbol	Parameter	Test conditions	Min.	Typ.	Max.	Unit
V_S	Supply voltage		7.5	9	10	V
I_S	Supply current	$V_S = 9\text{ V}$	35	45	55	mA
SVRR	Ripple rejection @ 1kHz	Audio processor (all Filters flat)	-	60	-	dB

3.2 Thermal data

Table 3. Thermal data

Symbol	Description	Value	Unit
$R_{th\ j-pins}$	Thermal resistance junction-to-pins max	65	°C/W

3.3 Absolute maximum ratings

Table 4. Absolute maximum ratings

Symbol	Parameter	Value	Unit
V_S	Operating supply voltage	10.5	V
T_{amb}	Operating temperature range	-40 to 85	°C
T_{stg}	Storage temperature range	-55 to +150	°C

3.4 ESD

All pins are protected against ESD according to the MIL883 standard.

3.5 Electrical characteristics

$V_S = 9\text{ V}$; $T_{\text{amb}} = 25\text{ °C}$; $R_L = 10\text{ k}\Omega$; all gains = 0 dB; $f = 1\text{ kHz}$; unless otherwise specified.

Table 5. Electrical characteristics

Symbol	Parameter	Test condition	Min.	Typ.	Max.	Unit
Input selector						
R_{in}	Input resistance	All single-ended Inputs	70	100	130	$\text{k}\Omega$
V_{CL}	Clipping level	-	1.8	2.2		V_{RMS}
S_{IN}	Input separation	-	80	100		dB
$G_{\text{IN MIN}}$	Min. input gain	-	-1	0	1	dB
$G_{\text{IN MAX}}$	Max. input gain	-	13	15	17	dB
G_{STEP}	Step resolution	-	0.5	1	1.5	dB
V_{DC}	DC steps	Adjacent gain steps	-5	1	5	mV
		G_{MIN} to G_{MAX}	-10	1	10	mV
V_{offset}	Remaining offset with AutoZero	-	-	0.5	-	mV
Differential stereo inputs						
R_{in}	Input resistance (see Figure 3)	Differential	70	100	130	$\text{k}\Omega$
CMRR	Common mode rejection ratio	$V_{\text{CM}} = 1\text{ V}_{\text{RMS}}$ @ 1 kHz	46	70	-	dB
		$V_{\text{CM}} = 1\text{ V}_{\text{RMS}}$ @ 10 kHz	46	60	-	dB
e_{NO}	Output-noise @ speaker-outputs	20Hz - 20kHz, flat; all stages 0dB	-	11	-	μV
Mixing control						
M_{LEVEL}	Mixing ratio	Main / mix-source	-	-6/-6	-	dB
G_{MAX}	Max. gain	-	13	15	17	dB
A_{MAX}	Max. attenuation	-	-83	-79	-75	dB
A_{STEP}	Attenuation step	-	0.5	1	1.5	dB
Loudness control						
A_{STEP}	Step resolution	-	0.5	1	1.5	dB
A_{MAX}	Max. attenuation	-	-21	-19	-17	dB
f_{Peak}	Peak frequency	f_{P1}	180	200	220	Hz
		f_{P2}	360	400	440	Hz
		f_{P3}	540	600	660	Hz
		f_{P4}	720	800	880	Hz
Volume control						
G_{MAX}	Max. gain	-	18	20	22	dB
A_{MAX}	Max. attenuation	-	-83	-79	-75	dB
A_{STEP}	Step resolution	-	0	0.5	1	dB

Table 5. Electrical characteristics (continued)

Symbol	Parameter	Test condition	Min.	Typ.	Max.	Unit
E _A	Attenuation set error	G = -20 to +20 dB	-0.75	0	+0.75	dB
		G = -80 to -20 dB	-4	0	3	dB
E _T	Tracking error	-	-	-	2	dB
V _{DC}	DC steps	Adjacent attenuation steps	-	0.1	3	mV
		From 0dB to G _{MIN}	-	0.5	5	mV
Soft-mute						
A _{MUTE}	Mute attenuation	-	80	100	-	dB
T _D	Delay time	T1	-	0.48	1	ms
		T2	-	0.96	2	ms
		T3	70	123	170	ms
V _{TH low}	Low threshold for SM-Pin ¹⁾	-	-	-	1	V
V _{TH high}	High threshold for SM - Pin	-	2.5	-	-	V
R _{PU}	Internal pull-up resistor	-	32	45	58	kΩ
V _{PU}	Internal pull-up Voltage	-	-	3.3	-	V
Equalizer control						
C _{RANGE}	Control range	-	±14	±15	±16	dB
A _{STEP}	Step resolution	-	0.5	1	1.5	dB
f _{C1}	Center frequency band 1	f _{C1a}	55	62	69	Hz
		f _{C1b}	90	100	110	Hz
f _{C2}	Center frequency band 2	f _{C2}	141	157	173	Hz
f _{C3}	Center frequency band 3	f _{C3}	365	396	437	Hz
f _{C4}	Center frequency band 4	f _{C4}	0.9	1	1.1	kHz
f _{C5}	Center frequency band 5	f _{C5}	2.25	2.51	2.76	kHz
f _{C6}	Center frequency band 6	f _{C6a}	3.6	4	4.4	kHz
		f _{C6b}	5.70	6.34	6.98	kHz
f _{C7}	Center frequency band 7	f _{C7a}	13.5	15	16.5	kHz
		f _{C7b}	14.4	16	17.6	kHz
Q	Quality factor	Q ₁	0.9	1	1.1	
		Q ₂	1.26	1.4	1.54	
		Q ₃	1.62	1.8	1.98	
		Q ₄	1.98	2.2	2.44	
DC _{GAIN}	DC-gain, Band 1	DC = off	-1	0	+1	dB
		DC = on, 15dB boost		4		dB

Table 5. Electrical characteristics (continued)

Symbol	Parameter	Test condition	Min.	Typ.	Max.	Unit
Spectrum analyzer control						
V _{SAOut}	Output voltage range	-	0		3.3	V
f _{C1}	Center frequency band 1	f _{C1}	55	62	69	Hz
f _{C2}	Center frequency band 2	f _{C2}	141	157	173	Hz
f _{C3}	Center frequency band 3	f _{C3}	356	396	436	Hz
f _{C4}	Center frequency band 4	f _{C4}	0.9	1	1.1	kHz
f _{C5}	Center frequency band 5	f _{C5}	2.26	2.51	2.76	kHz
f _{C6}	Center frequency band 6	f _{C6}	5.70	6.34	6.98	kHz
f _{C7}	Center frequency band 7	f _{C7}	14.4	16	17.6	kHz
Q	Quality factor	Q ₁	1.62	1.8	1.98	
		Q ₂	3.15	3.5	3.85	
f _{SAClk}	Clock frequency	-	1	-	100	kHz
t _{SAdel}	Analog output delay time	-	2	-	-	μs
t _{repeat}	Spectrum analyzer repeat time	-	50	-	-	ms
t _{intres}	Internal reset time	-	-	3	-	ms
HPF2						
V _{TH}	Zero crossing threshold	-	-	±20	-	mV
E _{MAX}	Max. effect	-	-	22	-	dB
E _{MIN}	Min. effect	-	-	4	-	dB
E _{STEP}	Step resolution	-	1.5	2	2.5	dB
Speaker attenuators						
R _{in}	Input Impedance	-	35	50	65	kΩ
G _{MAX}	Max. gain	-	13	15	17	dB
A _{MAX}	Max. attenuation	-	-83	-79	-75	dB
A _{STEP}	Step resolution	-	0.5	1	1.5	dB
A _{MUTE}	Output mute attenuation	-	80	90	-	dB
E _E	Attenuation set error	-	-	-	3	dB
V _{DC}	DC steps	Adjacent Attenuation Steps	-	0.5	5	mV
M _R	Mixing ratio	Signal/Mix _{In}	-	50/50	-	%
Audio outputs						
V _{CLIP}	Clipping level	Thd=0.3%	1.8	2.2	-	V _{RMS}
R _L	Output load resistance	-	2	-	-	kΩ
C _L	Output load capacitance	-	-	-	10	nF
R _{OUT}	Output impedance	-	-	30	120	W

Table 5. Electrical characteristics (continued)

Symbol	Parameter	Test condition	Min.	Typ.	Max.	Unit
V_{DC}	DC voltage level	-	4.3	4.5	4.7	V
High-pass						
f_{HP}	High-pass corner frequency	f_{HP1}	81	90	99	Hz
		f_{HP2}	122	135	148	Hz
		f_{HP3}	162	180	198	Hz
		f_{HP4}	194	215	236	Hz
Subwoofer attenuator						
R_{in}	Input impedance	-	35	50	65	$k\Omega$
G_{MAX}	Max. gain	-	14	15	16	dB
A_{ATTN}	Max. attenuation	-	-83	-79	-75	dB
A_{STEP}	Step resolution	-	0.5	1	1.5	dB
A_{MUTE}	Output mute attenuation	-	80	90	-	dB
E_E	Attenuation set error		-	-	2	dB
V_{DC}	DC steps	Adjacent Attenuation Steps	-	1	5	mV
Subwoofer low-pass						
f_{LP}	Low-pass corner frequency	f_{LP1}	72	80	88	Hz
		f_{LP2}	108	120	132	Hz
		f_{LP3}	144	160	176	Hz
General						
e_{NO}	Output noise	BW = 20 Hz - 20 kHz output muted	-	3	15	μV
		BW = 20 Hz - 20 kHz all gains = 0dB single-ended inputs	-	15	20	μV
S/N	Signal-to-noise ratio	all gains = 0 dB flat; $V_O = 2 V_{RMS}$	-	103	-	dB
		All EQ-bands at +12dB; Q = 1.0 a-weighted; $V_O = 2.6 V_{RMS}$	-	87	-	dB
d	Distortion	$V_{IN} = 1 V_{RMS}$; all stages 0dB	-	0.01	0.1	%
		$V_{OUT} = 1 V_{RMS}$; Bass & treble = 12dB	-	0.05	0.1	%
S_C	Channel separation left/right	-	80	90	-	dB

4 Description of the audio processor part

4.1 Audio processor features

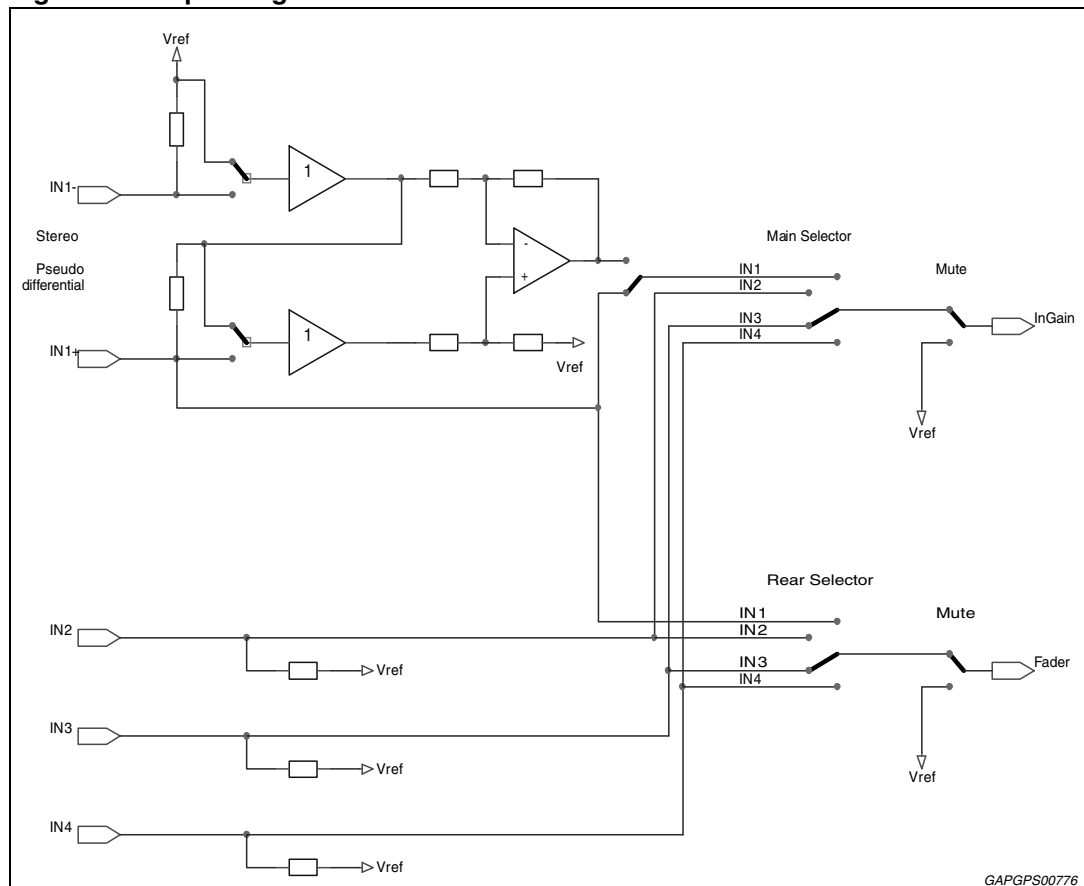
- Input multiplexer
 - 1 pseudo differential CDC stereo input, programmable as single-ended input
 - 3 single-ended stereo inputs
 - Input gain adjust 0 to 15 dB with 1 dB steps
 - direct mute
 - internal offset-cancellation (AutoZero)
- Mixing stage
 - mixable mix input to Front speaker outputs
 - Input controls +15 to -79 dB with 1 dB steps
 - direct mute
 - Loudness
 - programmable center frequency and filter slope
 - 19 dB with 1dB steps
 - selectable flat-mode (constant attenuation)
- Volume
 - +32 to -79.5 dB with 0.5 dB step resolution
 - soft-step control with programmable blend times
 - 100 dB range
- Equalizer
 - seven bands
 - 2nd order frequency response
 - center frequency programmable for lowest and highest filter
 - programmable quality factor in four steps for each filter
 - -15 to 15 dB range with 1dB resolution
- Spectrum analyzer
 - seven bandpass filters
 - 2nd order frequency response
 - programmable quality factor for different visual appearance
 - analog output
 - controlled by external serial clock
- High-pass
 - 2nd order butterworth high-pass with programmable cut-off frequency
 - selectable flat-mode
- Speaker
 - 4 independent soft-step speaker controls, +15 to -79 dB with 1 dB steps
 - mute
 - 4 independent programmable mix inputs with 50% mixing ratio
- Subwoofer

- single-ended monaural output
 - independent soft-step level control +15 to -79 dB with 1 dB steps
- Mute functions**
- direct mute
 - digitally controlled Soft-mute with 3 programmable mute-times
 - Effect
 - Gain effect or high-pass effect fixed external components

4.2 Input stages

In the basic configuration one pseudo-differential, three single-ended stereo are available.

Figure 3. Input stages



4.2.1 Pseudo-differential stereo input (IN1)

The IN1- input is implemented as a buffered pseudo-differential stereo stage with 100 kΩ input-impedance at each input pin. This input is also configurable as single-ended stereo input. The common input-pin, IN1- features a fast charge switch to speed up the charge time of external capacitors. This switch is released the first time the input-selector data-byte (0) is accessed.

4.2.2 Single-ended stereo inputs

All single-ended inputs have an input impedance of 100 k Ω .

4.3 AutoZero

The AutoZero allows a reduction of the number of pins as well as external components by canceling any offset generated by or before the In-Gain-stage (Please notice that externally generated offsets, e.g. generated through the leakage current of the coupling capacitors, are not canceled).

The auto-zeroing is started every time the DATA-BYTE 0 is selected and needs max. 0.3 ms for the alignment. To avoid audible clicks the Audioprocessor have to be muted by soft-mute or hard-mute during this time.

4.3.1 AutoZero remain

In some cases, for example if the μ P is executing a refresh cycle of the IIC-Bus-programming, it is not useful to start a new AutoZero action because no new source is selected and an undesired mute would appear at the out-puts. For such applications the TDA7416 could be switched in the AutoZero remain-mode (Bit 6(11) of the subaddress-byte). If this bit is set to high, the DATABYTE 0 could be loaded without invoking the AutoZero and the old adjustment-value remains.

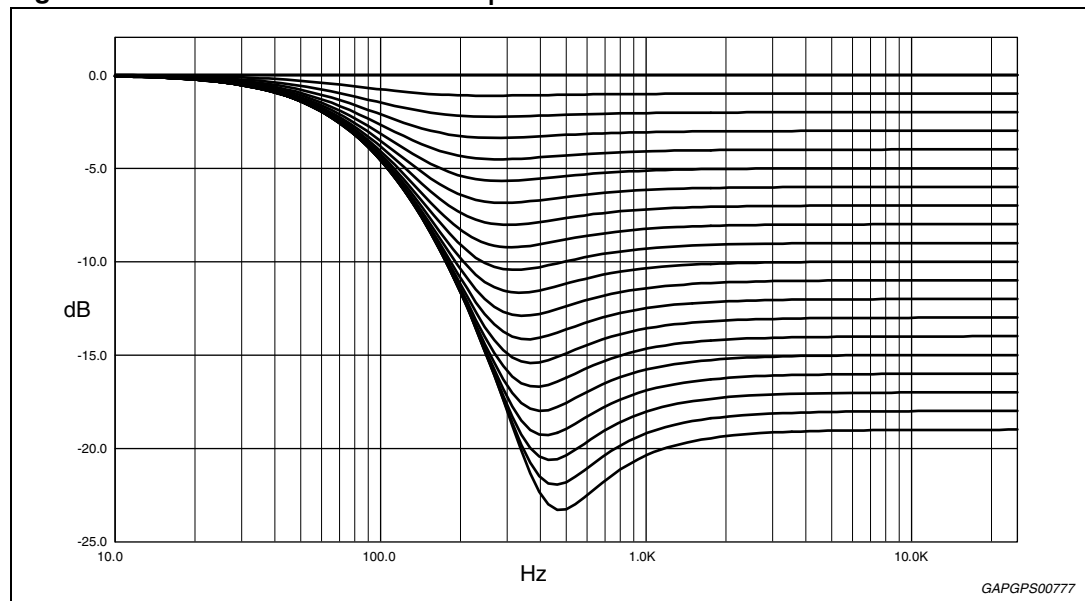
4.4 Loudness

There are four parameters programmable in the loudness stage.

4.4.1 Attenuation

Figure 4 shows the attenuation as a function of frequency at $f_p = 400$ Hz

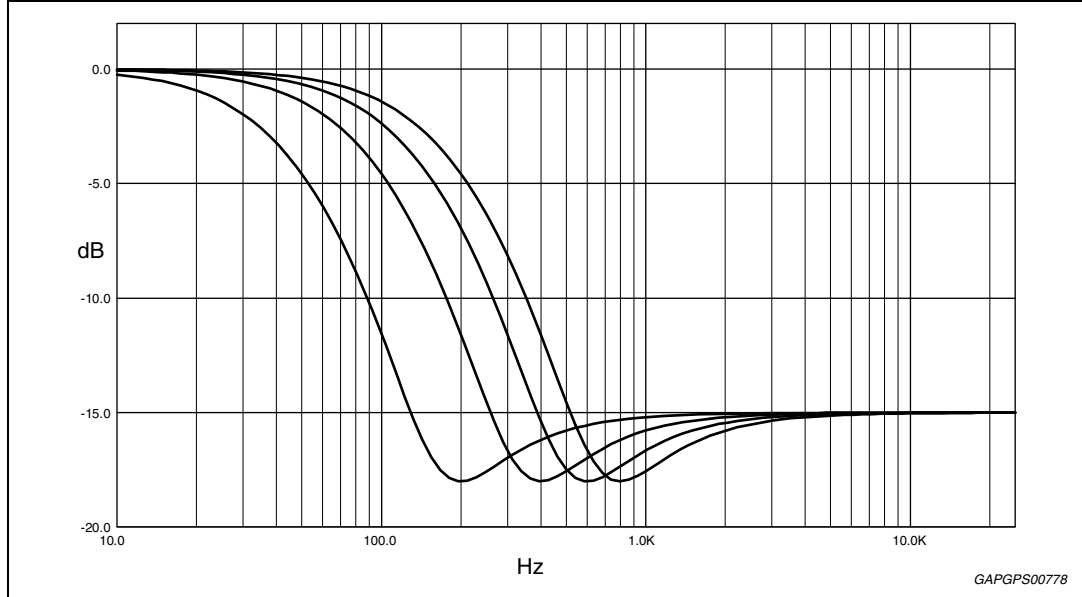
Figure 4. Loudness attenuation @ $f_p = 400$ Hz



4.4.2 Peak frequency

Figure 5 shows the four possible peak-frequencies at 200, 400, 600 and 800Hz

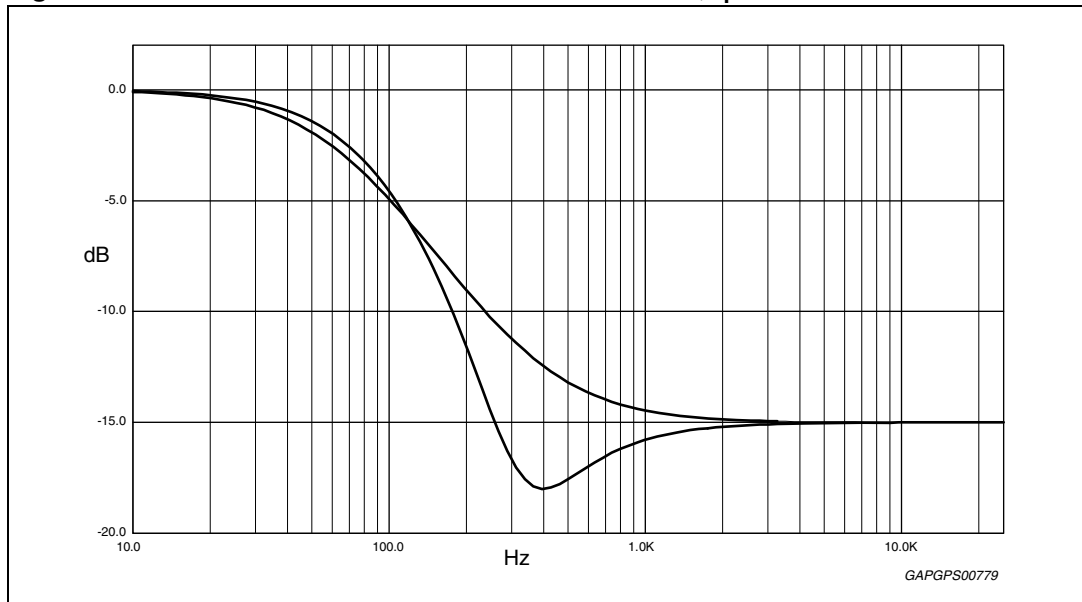
Figure 5. Loudness center frequencies @ Attn. = 15 dB



4.4.3 Loudness filter order

Different shapes of 1st and 2nd-order loudness

Figure 6. 1st and 2nd order loudness @ Attn. = 15 dB, $f_p = 400$ Hz



4.4.4 Flat mode

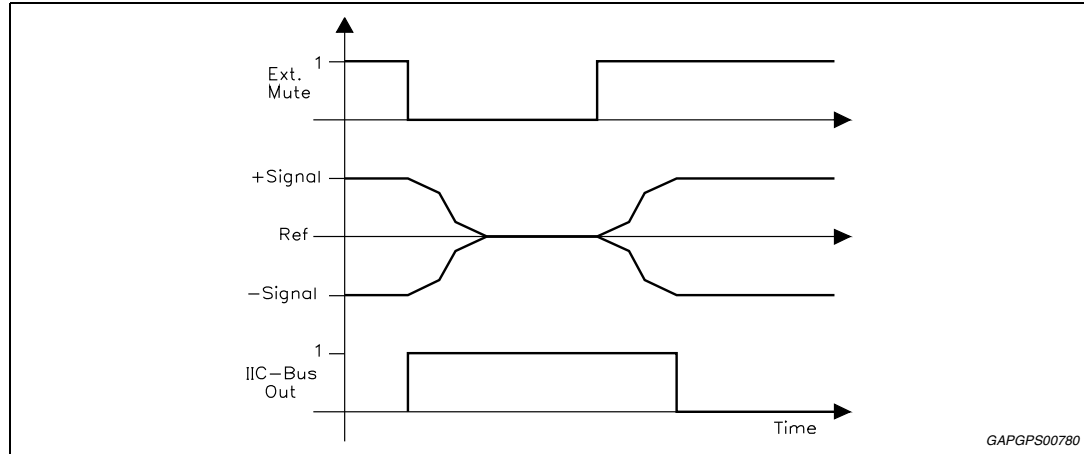
In flat mode the loudness stage works as a 0dB to -19dB attenuator.

4.5 Soft-mute

The digitally controlled soft-mute stage allows muting/demuting the signal with a I²C bus programmable slope. The mute process can either be activated by the soft-mute pin or by the I²C bus. This slope is realized in a special S-shaped curve to mute slow in the critical regions (see [Figure 7](#)).

For timing purposes the Bit0 of the I²C bus output register is set to 1 from the start of muting until the end of de-muting.

Figure 7. Soft-mute timing

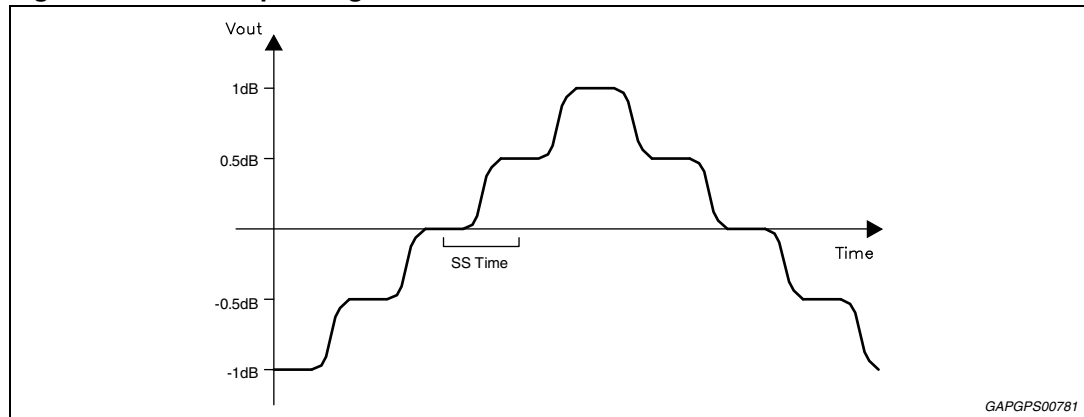


1. Please notice that a started Mute-action is always terminated and could not be interrupted by a change of the mute -signal.

4.6 Soft-step volume and speaker

When the speaker-level is changed audible clicks could appear at the output. The root cause of those clicks could either be a DC-Offset before the speaker-stage or the sudden change of the envelope of the audio signal. With the soft-step feature both kinds of clicks could be reduced to a minimum and are no more audible. The blend-time from one step to the next is programmable in four steps.

Figure 8. Soft-step timing for volume



1. For steps more than 0.5dB (Volume) or 1dB (Speaker) the soft-step mode should be deactivated because it could generate a hard 1dB step during blending.

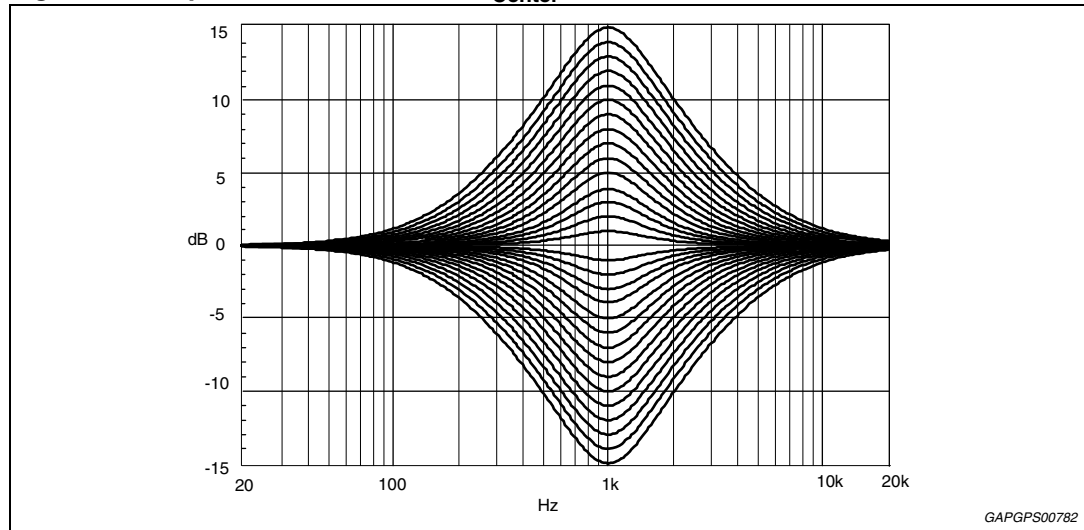
4.7 Equalizer filter

There are three parameters programmable in the equalizer filter:

4.7.1 Attenuation

Figure 9 shows the boost and cut response as a function of frequency at a center frequency of 1kHz.

Figure 9. Equalizer filter control @ $f_{Center} = 1\text{kHz}$, $Q = 1.0$

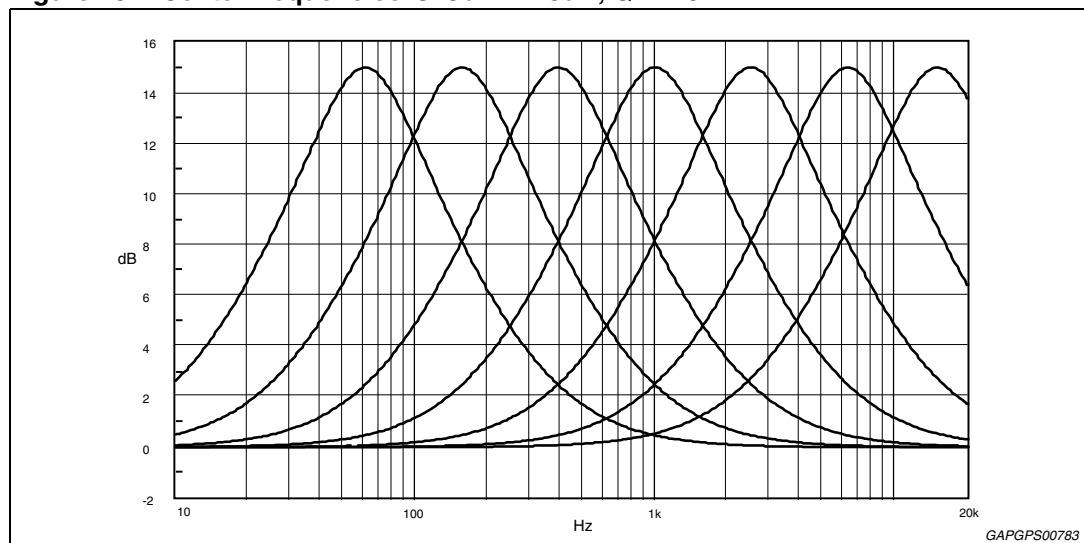


4.7.2 Center frequency

This parameter is programmable in the filter stage 1(62/100Hz), 6(4/6.34kHz) and 7(15/16kHz) only.

Figure 10 shows the center frequencies 62, 156, 396, 1000, 2510, 6340 and 15000 Hz of the 7 equalizer filters.

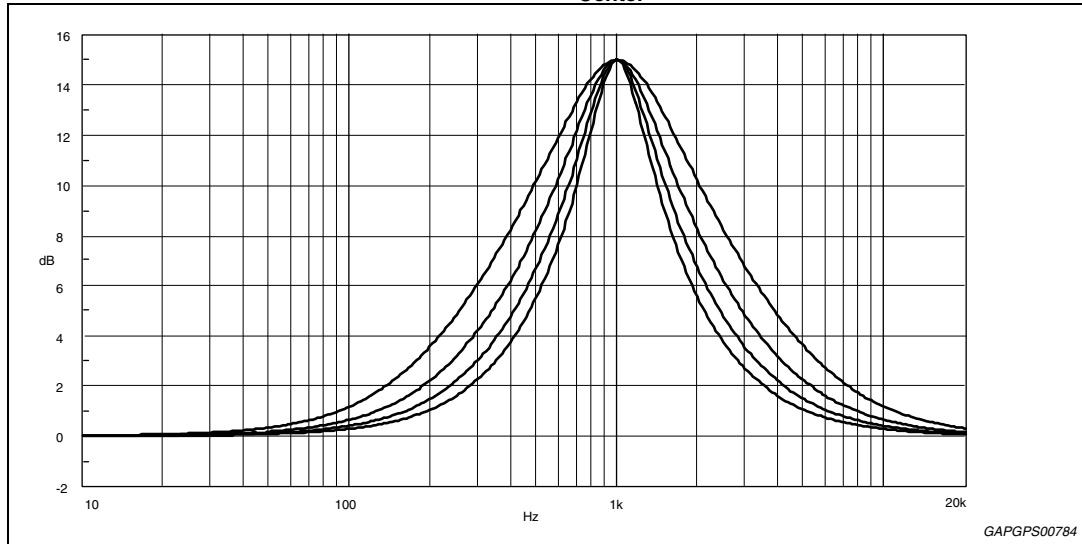
Figure 10. Center frequencies @ Gain = 15dB, $Q = 1.0$



4.7.3 Quality Factors

Figure 11 shows the four possible quality factors 1, 1.4, 1.8 and 2.2

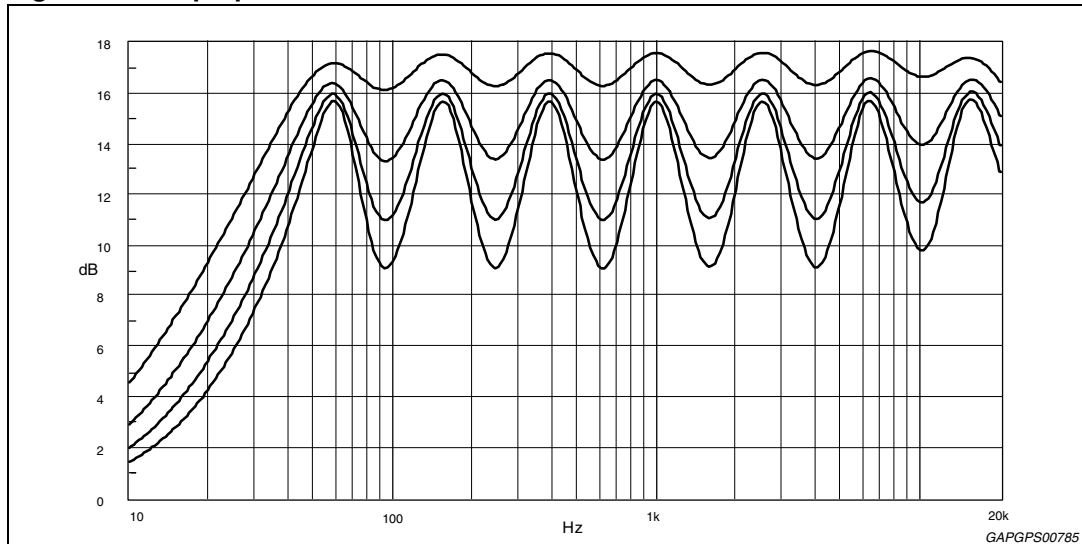
Figure 11. Quality factors @ boost = 15dB, $f_{Center} = 1\text{kHz}$



4.7.4 Superposition of all equalizer filters

Figure 12 shows the superposition of all equalizer filter curves for different quality factors. The gain for all filters is +15dB.

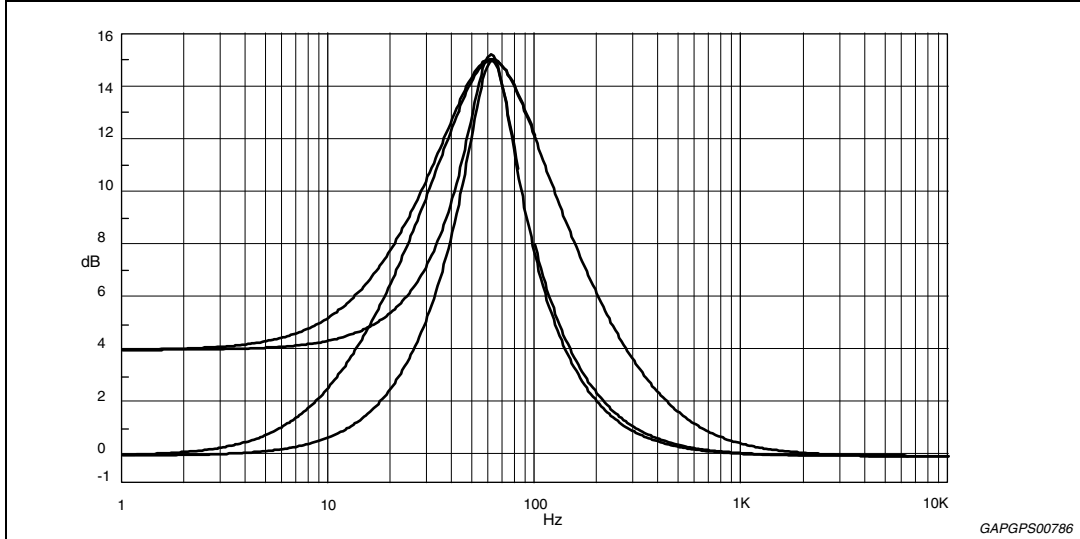
Figure 12. Superposition of all EQ bands @ boost = 15dB



4.7.5 DC-mode of equalizer band 1 (62/100 Hz)

In this mode, the DC-gain 4dB when set to 15dB boost.

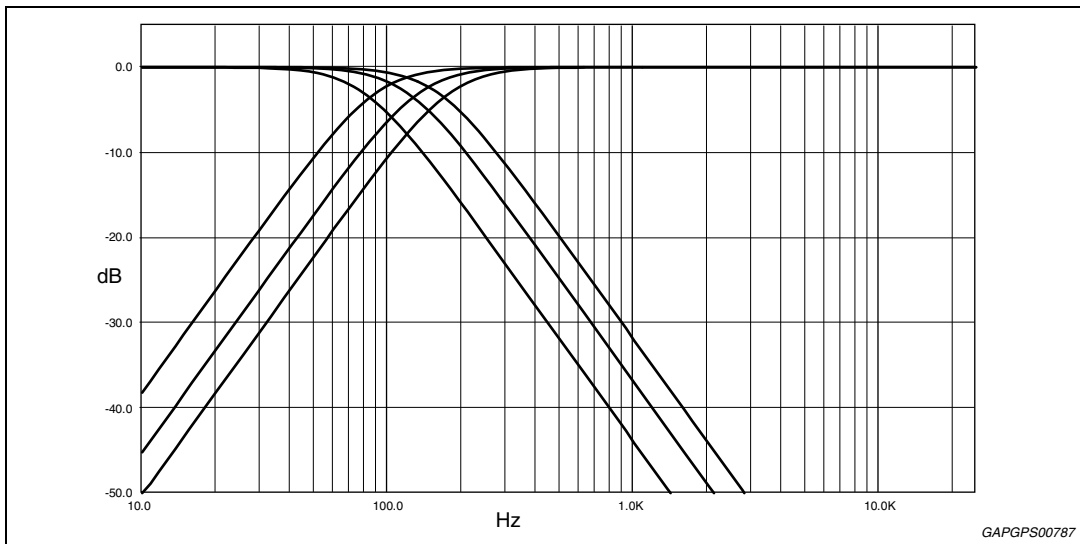
Figure 13. EQ band1, normal- and DC-mode @ boost = 15 dB, $f_{Center} = 62$ Hz



1. The center frequency, Q, DC-mode and boost/cut can be set fully independently for each filter.

4.8 Subwoofer application

Figure 14. Subwoofer application with low-pass @ 80/120/160Hz and high-pass @ 90/135/180Hz



Both filters, the low-pass as well as the high-pass filter, have butterworth characteristic so that their cut-off frequencies are not equal but shifted by the factor 1.125 to get a flat frequency response.

4.9 Spectrum analyzer

A fully integrated seven band spectrum analyzer with programmable quality factor is present in the TDA7416 (Figure 15).

The spectrum analyzer consists of seven band pass filters with rectifier and sample capacitor which stores the maximum peak signal level since the last read cycle. This peak signal level can be read by a microprocessor at the SAout-pin. To allow easy interfacing to an analog port of the microprocessor, the output voltage at this pin is referred to device ground.

The microprocessor starts a read cycle with the negative going clock edge at the SAck input. On the following positive clock edges, the peak signal level for the band pass filters is subsequently switched to SAout. Each analog output data is valid after the time $t_{SA\text{del}}$. A reset of the sample capacitors is induced whenever SAck remains high for the time t_{intres} . Note that a proper reset requires the clock signal SAck to be held at high potential. Figure 15 shows the block diagram and Figure 16 illustrates the read cycle timing of the spectrum analyzer.

Figure 15. Spectrum analyzer block diagram

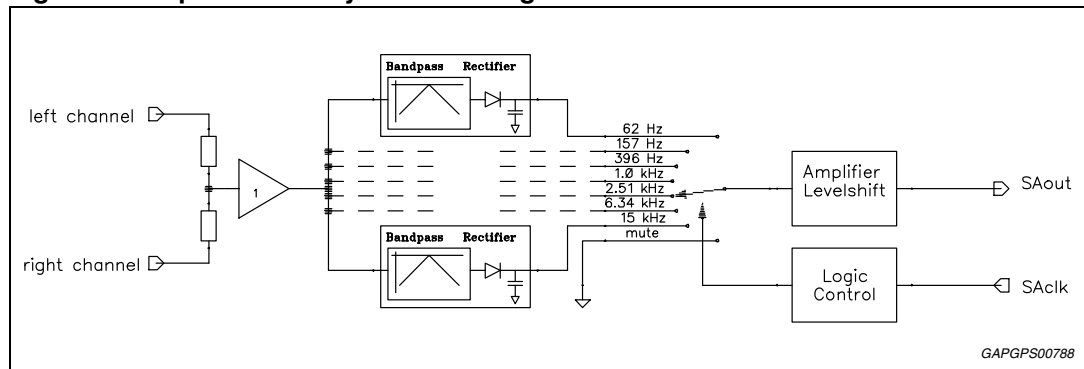
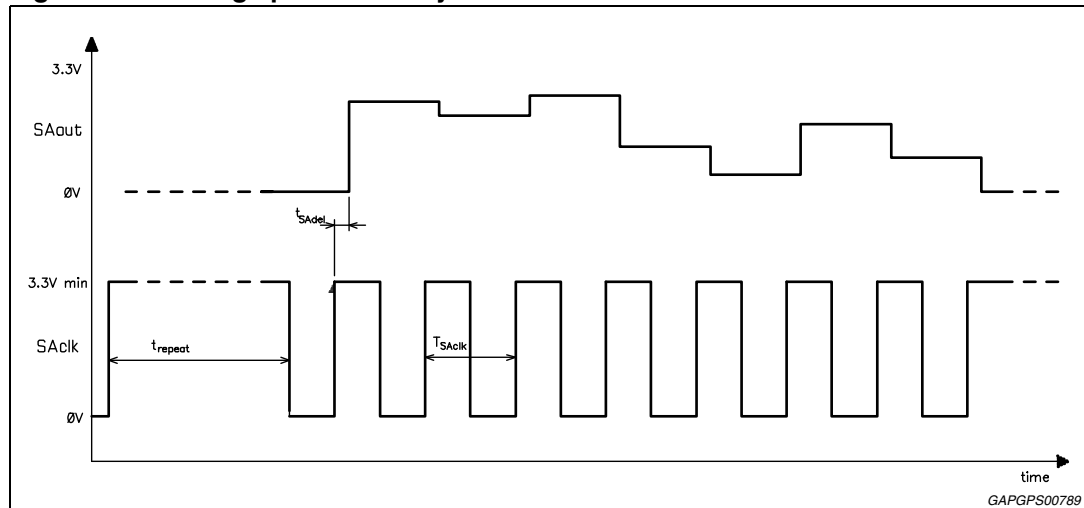


Figure 16. Timing spectrum analyzer



4.10 AC coupling

In some applications additional signal manipulations are desired. For this purpose an AC-coupling is placed before the speaker (fader)-attenuators, which can be activated or internally shorted by I²C bus. In short condition the input-signal of the speaker-attenuator is available at the AC-outputs. The input-impedance of this AC-inputs is 50k. In addition there are Mix inputs available. With this inputs it is possible to mix an external signal to every speaker with a mixing ratio of 50% (see [Figure 16](#)).

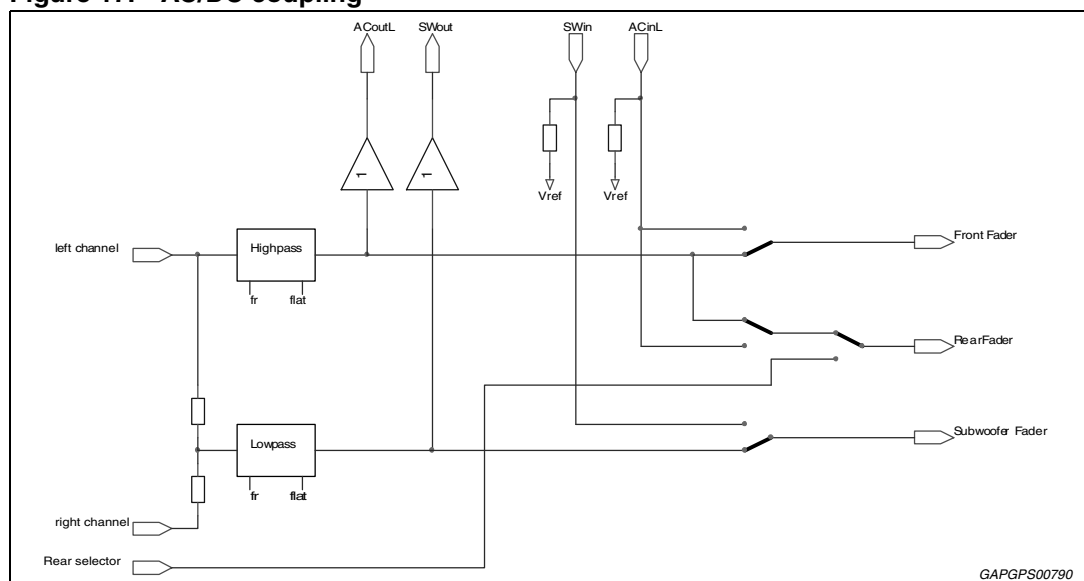
The source of front and rear speaker can be set independently.

As source is choosable:

internal dc coupling (not recommended)

external ac coupling using ACin pins

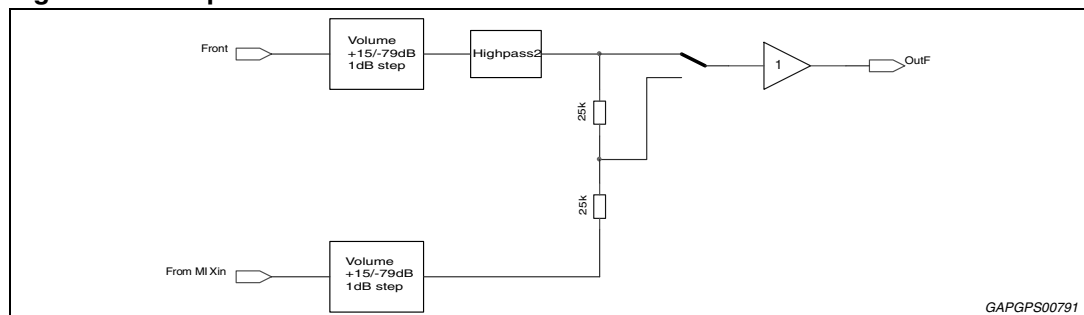
Figure 17. AC/DC coupling



4.11 Front speaker attenuator and mixing

A Mixing-stage is placed after front speaker-attenuator and can be set independently to mixing-mode. Having a full volume for the Mix-signal the stage offers a wide flexibility to adapt the mixing levels.

Figure 18. Output selector

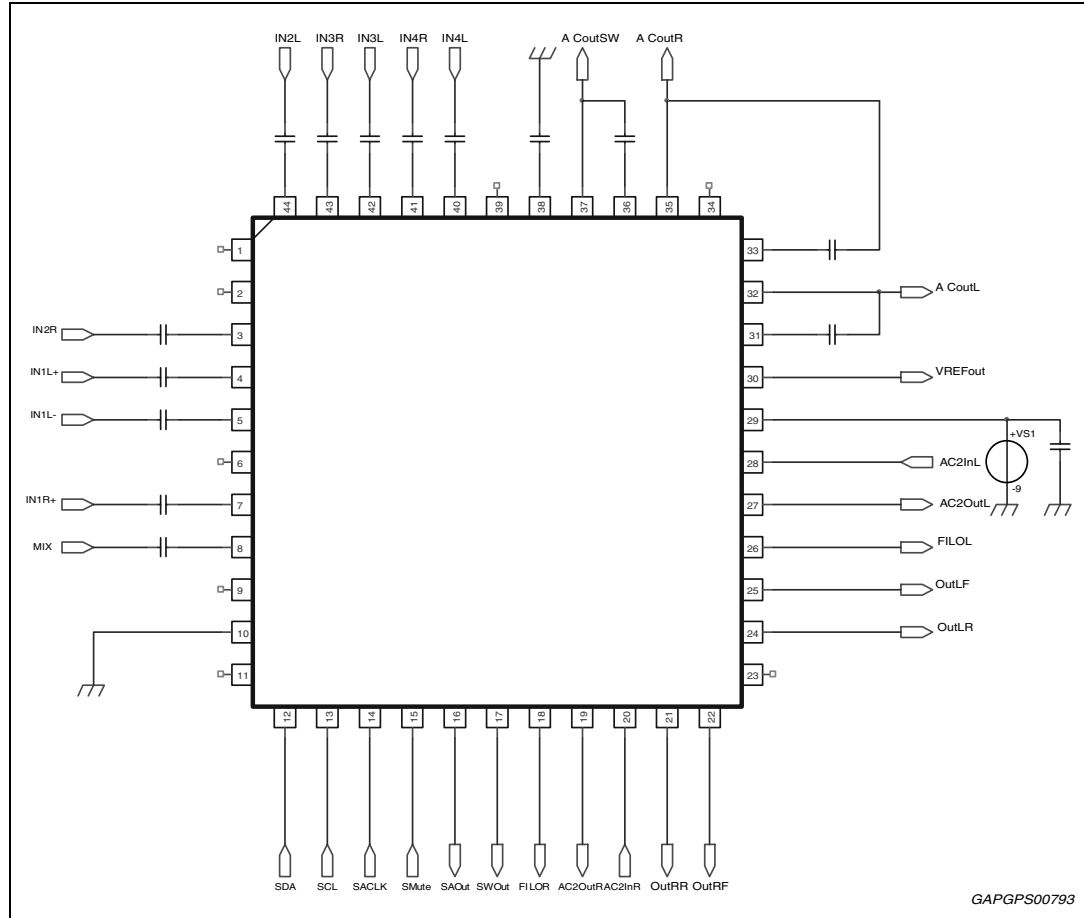


4.12 Audio processor testing

During the test mode, which can be activated by setting bit I₂ of the subaddress byte and D₀ of the audioprocessor testing byte, several internal signals are available at the Mix pin. During this mode the input resistance of 100 kOhm is disconnected from the pin. The internal signals available are shown in the Data-byte specification.

4.13 Application diagram

Figure 19. Application diagram



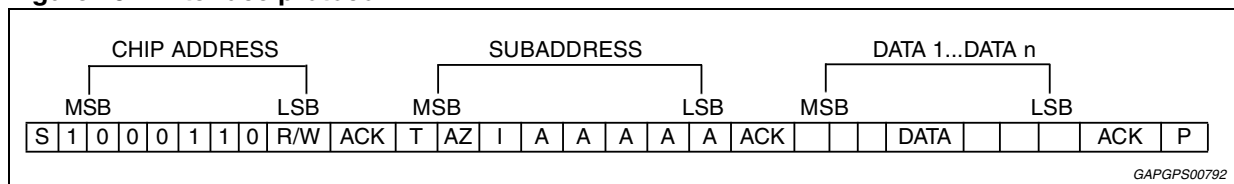
5 I²C bus interface

5.1 Interface protocol

The interface protocol comprises:

- a start condition (S)
- a chip address byte (the LSB bit determines read / write transmission)
- a subaddress byte
- a sequence of data (N-bytes + acknowledge)
- a stop condition (P)

Figure 20. Interface protocol



S = Start

R/W = "0" -> Receive-Mode (Chip could be programmed by μ P)

"1" -> Transmission-Mode (Data could be received by μ P)

ACK = Acknowledge

P = Stop

Max clock speed 500kbits/s

5.1.1 Auto increment

If bit I in the subaddress byte is set to "1", the auto increment of the subaddress is enabled.

5.1.2 Transmitted data (send mode)

MSB							LSB
X	X	X	X	X	X	X	SM

SM = Soft-mute activated

X = Not Used

The transmitted data is automatically updated after each ACK.

Transmission can be repeated without new chip address.

5.1.3 Reset condition

A power-on-reset is invoked if the supply voltage is below than 3.5V. After that, the following data is written automatically into the registers of all subaddresses:

MSB							LSB
1	1	1	1	1	1	1	0

The programming after POR is marked bold-face / underlined in the programming tables.

With this programming all the outputs are muted to V_{REF} ($V_{OUT} = V_{DD}/2$).

5.2 Subaddress (receive mode)

Table 6. Subaddress (receive mode)

1MSB							LSB	Function
I ₂	I ₁	I ₀	A ₄	A ₃	A ₂	A ₁	A ₀	
0								Audio processor Testmode
1								off on
	0							AutoZero remain
	1							off on
		0						Auto-increment mode
		1						off on
			0	0	0	0	0	Subaddress
			0	0	0	0	1	Source Selector
			0	0	0	1	0	Loudness
			0	0	0	1	1	Volume
			0	1	1	0	0	EQ Filter 1 (62/100Hz)
			0	0	1	0	1	EQ Filter 2 (157Hz)
			0	0	1	1	0	EQ Filter 3 (396Hz)
			0	0	1	1	1	EQ Filter 4 (1kHz)
			0	1	0	0	0	EQ Filter 5 (2.51kHz)
			0	1	0	0	1	EQ Filter 6 (4/6.34kHz)
			0	1	0	1	0	EQ Filter 7 (15/16kHz)
			0	1	0	1	1	Mixing Programming
			0	1	1	0	0	Soft-mute
			0	1	1	0	1	Subwoofer / Spectrum analyzer / High-pass
			0	1	1	1	0	Configuration Audio processor I
			0	1	1	1	1	Mixing Level Control
			1	0	0	0	0	Speaker attenuator LF
			1	0	0	0	1	Speaker attenuator RF
			1	0	0	1	0	Speaker attenuator LR
			1	0	0	1	1	Speaker attenuator RR
			1	0	1	0	0	Subwoofer attenuator
			1	0	1	0	0	Testing Audio processor

5.3 Data byte specification

The status after power-on-reset is marked bold-face / underlined in the programming tables.

5.3.1 Input selector (0)

Table 7. Input selector (0)

MSB							LSB	Function
D ₇	D ₆	D ₅	D ₄	D ₃	D ₂	D ₁	D ₀	
					X	0	0	Source selector
					X	0	1	BUS/PD
					X	1	0	AUX
					X	1	1	<u>MD</u>
								AM/FM
	0	0	0	0				Input gain
	0	0	0	1				0dB
	:	:	:	:				1dB
	1	1	1	0				:
	1	1	1	1				14dB
								<u>15dB</u>
0								Mute
1								off
								<u>on</u>

5.3.2 Loudness (1)

Table 8. Loudness (1)

MSB							LSB	Function
D ₇	D ₆	D ₅	D ₄	D ₃	D ₂	D ₁	D ₀	
			0	0	0	0	0	Attenuation
			0	0	0	0	1	0 dB
			:	:	:	:	:	-1 dB
			0	1	1	1	0	:
			0	1	1	1	1	-14 dB
			:	:	:	:	:	-15 dB
			1	0	0	1	1	:
			:	:	:	:	:	-19 dB
								not allowed
	0	0						Center frequency
	0	1						200Hz
	1	0						400Hz
	1	1						600Hz
								<u>800Hz</u>
0								Loudness order
1								First order
								<u>Second order</u>

5.3.3 Volume (2)

Table 9. Volume (2)

MSB							LSB		Function
D ₇	D ₆	D ₅	D ₄	D ₃	D ₂	D ₁	D ₀		
0	0	0	0	0	0	0	0	Gain/Attenuation (+32.0dB)	
0	0	0	0	0	0	0	1	(+31.5dB)	
:	:	:	:	:	:	:	:	:	
0	0	0	1	1	0	0	0	+20.0dB	
0	0	0	1	1	0	0	1	+19.5dB	
0	0	0	1	1	0	1	0	+19.0dB	
:	:	:	:	:	:	:	:	:	
0	0	1	1	1	1	1	1	+0.5dB	
0	1	0	0	0	0	0	0	0.0dB	
0	1	0	0	0	0	0	1	-0.5dB	
:	:	:	:	:	:	:	:	:	
1	1	X	1	1	1	1	0	<u>-79.0dB</u>	
1	1	X	1	1	1	1	1	-79.5dB	

Note: It is not recommended to use a gain more than 20dB for system performance reason. In general, the max. gain should be limited by software to the maximum value, which is needed for the system.

5.3.4 Equalizer (3,4,5,6,7,8,9)

Table 10. Equalizer (3,4,5,6,7,8,9)

MSB							LSB	Function
D ₇	D ₆	D ₅	D ₄	D ₃	D ₂	D ₁	D ₀	
			0	0	0	0	0	Equalizer cut/boost level -15dB
			0	0	0	0	1	-14dB
			:	:	:	:	:	:
			0	1	1	1	0	-1dB
			0	1	1	1	1	0dB
			1	1	1	1	1	0dB
			1	1	1	1	0	<u>+1dB</u>
			:	:	:	:	:	:
			1	0	0	0	1	+14dB
			1	0	0	0	0	+15dB
	0	0						Equalizer Q-Factor 2.2
	0	1						1.8
	1	0						1.4
	1	1						<u>1.0</u>
0								Equalizer center frequency (only Subaddresses 3,8,9) 62Hz(addr 3)/4kHz(addr 8)/15kHz(addr 9)
1								<u>100Hz(addr 3)/6.24kHz(addr 8)/16kHz(addr 9)</u>
0								DC mode EQ Band 1 (62/100 Hz, Subaddress. 4!) on
1								<u>off</u>

5.3.5 Mixing programming (10)

Table 11. Mixing programming (10)

MSB							LSB	Function
D ₇	D ₆	D ₅	D ₄	D ₃	D ₂	D ₁	D ₀	
							0 1	Mixing Mute enable
					0 0 1 1	0 1 0 1		Rear Source Selector BUS'(PD) AUX MD AM/FM
			0 1	0 1				Mixing Target Speaker LF off Speaker LF on Speaker RF off Speaker RF on
	0 1	X X						ZeroCross on HPF2 on off
0 1								Spectrum Analyzer Detect Point After EQ Before EQ

5.3.6 Soft-mute and HPF2 (11)

Table 12. Soft-mute and HPF2 (11)

MSB							LSB	Function
D ₇	D ₆	D ₅	D ₄	D ₃	D ₂	D ₁	D ₀	
							0 1	Soft-mute On (Mute) Off
					0 0 1	0 1 X		Soft-mute time Mute time = 0.48ms Mute time = 0.96ms Mute time = 123ms
				0 1				Secondary high-pass enable Filter available No Filter (Gain)
0 0 0 0 0 0 0 0 1 1 1	0 0 0 0 1 1 1 1 X X X	0 0 1 1 0 0 1 1 X 0 1	0 1 0 1 0 1 1 1 0 1 1					Secondary high-pass effect (with ZeroCross) 4 dB 6 dB 8 dB 10 dB 12 dB 14 dB 16 dB 18dB 20dB 22dB <u>0dB</u>

Note: It is recommended to set D3(Filter available or not) during initial mute.

5.3.7 Subwoofer configuration / spectrum analyzer / high-pass (12)

Table 13. Subwoofer configuration / spectrum analyzer / high-pass (12)

MSB				LSB				Function
D ₇	D ₆	D ₅	D ₄	D ₃	D ₂	D ₁	D ₀	
						0 0 1 1	0 1 0 1	Subwoofer Filter off 80Hz <u>120Hz</u> 160Hz
				X <u>X</u>	0 1			Subwoofer Coupling AC using SW _{In} pin <u>DC</u>
			0 1					Spectrum Analyzer Q-Factor 3.5 <u>1.8</u>
		0 1						High-pass enable Filter off <u>Filter on</u>
0 0 1 1	0 1 0 1							High-pass cut-off frequency 90Hz 135Hz 180Hz <u>225Hz</u>

5.3.8 Configuration audio processor I (13)

Table 14. Configuration audio processor I (13)

MSB							LSB	Function
D ₇	D ₆	D ₅	D ₄	D ₃	D ₂	D ₁	D ₀	
							0 1	PD input mode single ended pseudo differential
						0 1		PD Input Gain -6 dB 0 dB
					0 1			Soft-step volume off on
			0 0 1 1	0 1 0 1				Soft-step time 320µs 1.28ms 5.12ms 20.4ms
		0 1						Loudness flat filter ON
	0 1							Front AC speaker AC coupling (ACin) DC coupling
0 1								Rear effect No effect signal Equalizing signal

5.3.9 Mixer level control (14)

Table 15. Mixer level control (14)

MSB				LSB				Function
D ₇	D ₆	D ₅	D ₄	D ₃	D ₂	D ₁	D ₀	
1	0	0	0	1	1	1	1	Gain/Attenuation +15dB
:	:	:	:	:	:	:	:	:
1	0	0	0	0	0	0	1	+ 1dB
1	0	0	0	0	0	0	0	0dB
0	0	0	0	0	0	0	0	0dB
0	0	0	0	0	0	0	1	- 1dB
:	:	:	:	:	:	:	:	:
0	0	0	0	1	1	1	1	-15dB
0	0	0	1	0	0	0	0	-16dB
:	:	:	:	:	:	:	:	:
0	1	0	0	1	1	1	0	-78dB
0	1	0	0	1	1	1	1	-79dB
X	1	1	X	X	X	X	X	Mute

5.3.10 Speaker and subwoofer level control (15,16,17,18,19)

Table 16. Speaker and subwoofer level control (15,16,17,18,19)

MSB				LSB				Function
D ₇	D ₆	D ₅	D ₄	D ₃	D ₂	D ₁	D ₀	
	0	0	0	1	1	1	1	Gain/Attenuation +15dB
	:	:	:	:	:	:	:	:
	0	0	0	0	0	0	1	+ 1dB
	0	0	0	0	0	0	0	0dB
	0	0	1	0	0	0	0	0dB
	0	0	1	0	0	0	1	- 1dB
	:	:	:	:	:	:	:	:
	0	1	0	0	0	0	0	-16dB
	:	:	:	:	:	:	:	:
	0	1	1	0	0	0	0	-32dB
	:	:	:	:	:	:	:	:
	1	0	0	0	0	0	0	-48dB
	:	:	:	:	:	:	:	:
	1	0	1	0	0	0	0	-64dB
	:	:	:	:	:	:	:	:
	1	0	1	1	1	1	1	-79dB
	1	1	X	X	X	X	X	Mute
0								Soft-step on/off On
1								Off

5.3.11 Testing audio processor (20)

Table 17. Testing audio processor (20)

MSB							LSB	Function
D ₇	D ₆	D ₅	D ₄	D ₃	D ₂	D ₁	D ₀	
							0 1	Audio processor test-mode off on
			0 1 0 1 0 1 X 0 1 X X X	0 0 0 0 0 0 0 1 1 1 1 1	0 0 0 0 1 1 0 0 0 0 1 1 1	0 0 1 1 0 1 1 0 0 1 0 1 1		Test-multiplexer Spectrum Analyzer Filter 62Hz Spectrum Analyzer Filter 157Hz Spectrum Analyzer Filter 396Hz Spectrum Analyzer Filter 1kHz Spectrum Analyzer Filter 2.51kHz Spectrum Analyzer Filter 6.34kHz Spectrum Analyzer Filter 16kHz Switch-Ron measurement setup (Level input) not used 200kHz Oscillator NB-Hold internal reference
		0 1						Clock external internal
	0 1							AZ function off on
0 1								SC-Clock Fast mode Normal mode

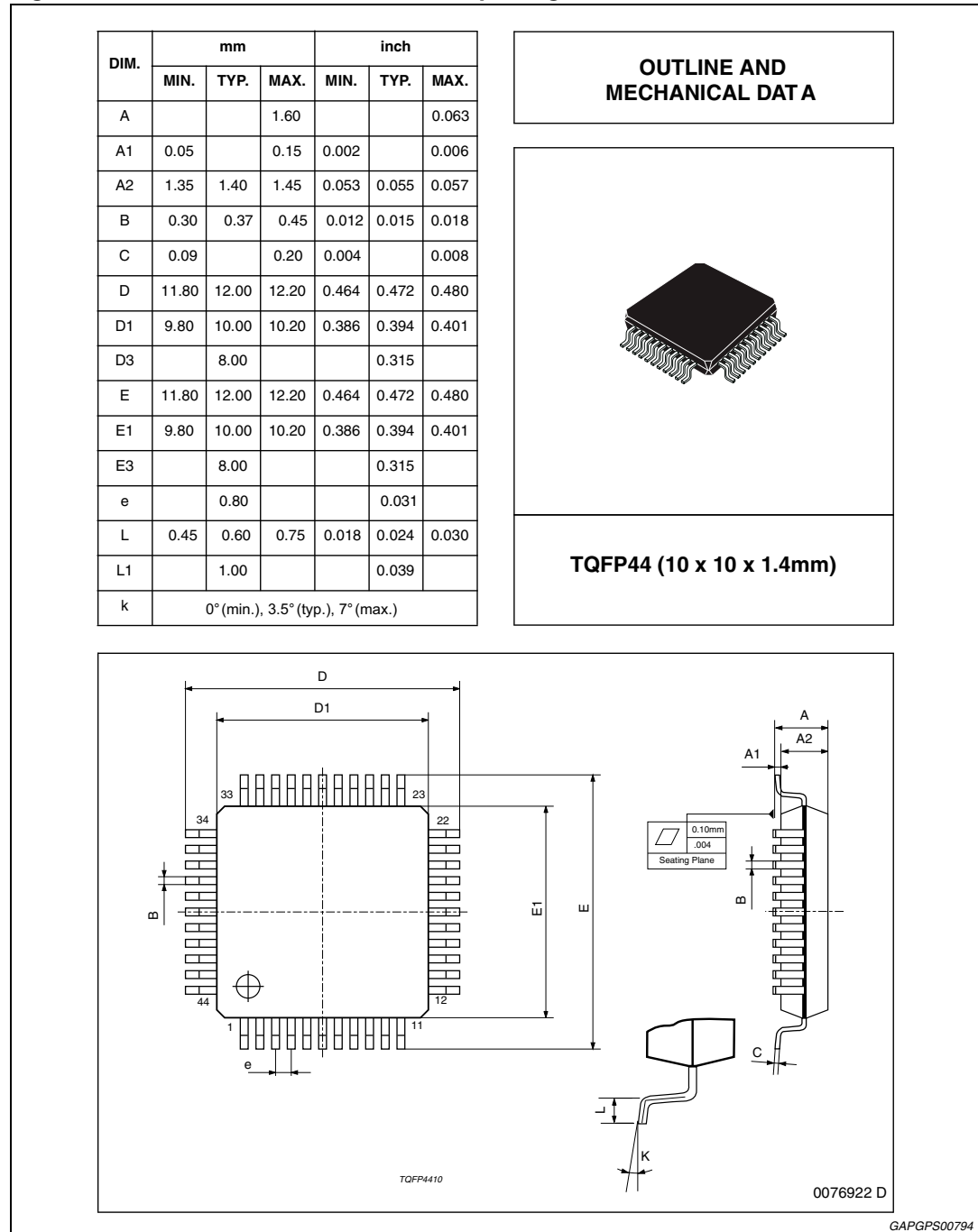
Note: This byte is used for testing or evaluation purposes only and must not set to other values than "1111110" in the application!

6 Package information

In order to meet environmental requirements, ST offers these devices in different grades of ECOPACK[®] packages, depending on their level of environmental compliance. ECOPACK[®] specifications, grade definitions and product status are available at: www.st.com.

ECOPACK[®] is an ST trademark.

Figure 21. TQFP44 mechanical data and package dimensions



7 Revision history

Table 18. Document revision history

Date	Revision	Changes
20-Sep-2003	1	Initial release.
30-Jun-2011	2	Document reformatted. Updated order code in the Table 1: Device summary on page 1 .
24-Sep-2013	3	Updated disclaimer.

Please Read Carefully:

Information in this document is provided solely in connection with ST products. STMicroelectronics NV and its subsidiaries ("ST") reserve the right to make changes, corrections, modifications or improvements, to this document, and the products and services described herein at any time, without notice.

All ST products are sold pursuant to ST's terms and conditions of sale.

Purchasers are solely responsible for the choice, selection and use of the ST products and services described herein, and ST assumes no liability whatsoever relating to the choice, selection or use of the ST products and services described herein.

No license, express or implied, by estoppel or otherwise, to any intellectual property rights is granted under this document. If any part of this document refers to any third party products or services it shall not be deemed a license grant by ST for the use of such third party products or services, or any intellectual property contained therein or considered as a warranty covering the use in any manner whatsoever of such third party products or services or any intellectual property contained therein.

UNLESS OTHERWISE SET FORTH IN ST'S TERMS AND CONDITIONS OF SALE ST DISCLAIMS ANY EXPRESS OR IMPLIED WARRANTY WITH RESPECT TO THE USE AND/OR SALE OF ST PRODUCTS INCLUDING WITHOUT LIMITATION IMPLIED WARRANTIES OF MERCHANTABILITY, FITNESS FOR A PARTICULAR PURPOSE (AND THEIR EQUIVALENTS UNDER THE LAWS OF ANY JURISDICTION), OR INFRINGEMENT OF ANY PATENT, COPYRIGHT OR OTHER INTELLECTUAL PROPERTY RIGHT.

ST PRODUCTS ARE NOT DESIGNED OR AUTHORIZED FOR USE IN: (A) SAFETY CRITICAL APPLICATIONS SUCH AS LIFE SUPPORTING, ACTIVE IMPLANTED DEVICES OR SYSTEMS WITH PRODUCT FUNCTIONAL SAFETY REQUIREMENTS; (B) AERONAUTIC APPLICATIONS; (C) AUTOMOTIVE APPLICATIONS OR ENVIRONMENTS, AND/OR (D) AEROSPACE APPLICATIONS OR ENVIRONMENTS. WHERE ST PRODUCTS ARE NOT DESIGNED FOR SUCH USE, THE PURCHASER SHALL USE PRODUCTS AT PURCHASER'S SOLE RISK, EVEN IF ST HAS BEEN INFORMED IN WRITING OF SUCH USAGE, UNLESS A PRODUCT IS EXPRESSLY DESIGNATED BY ST AS BEING INTENDED FOR "AUTOMOTIVE, AUTOMOTIVE SAFETY OR MEDICAL" INDUSTRY DOMAINS ACCORDING TO ST PRODUCT DESIGN SPECIFICATIONS. PRODUCTS FORMALLY ESCC, QML OR JAN QUALIFIED ARE DEEMED SUITABLE FOR USE IN AEROSPACE BY THE CORRESPONDING GOVERNMENTAL AGENCY.

Resale of ST products with provisions different from the statements and/or technical features set forth in this document shall immediately void any warranty granted by ST for the ST product or service described herein and shall not create or extend in any manner whatsoever, any liability of ST.

ST and the ST logo are trademarks or registered trademarks of ST in various countries.

Information in this document supersedes and replaces all information previously supplied.

The ST logo is a registered trademark of STMicroelectronics. All other names are the property of their respective owners.

© 2013 STMicroelectronics - All rights reserved

STMicroelectronics group of companies

Australia - Belgium - Brazil - Canada - China - Czech Republic - Finland - France - Germany - Hong Kong - India - Israel - Italy - Japan - Malaysia - Malta - Morocco - Philippines - Singapore - Spain - Sweden - Switzerland - United Kingdom - United States of America

www.st.com