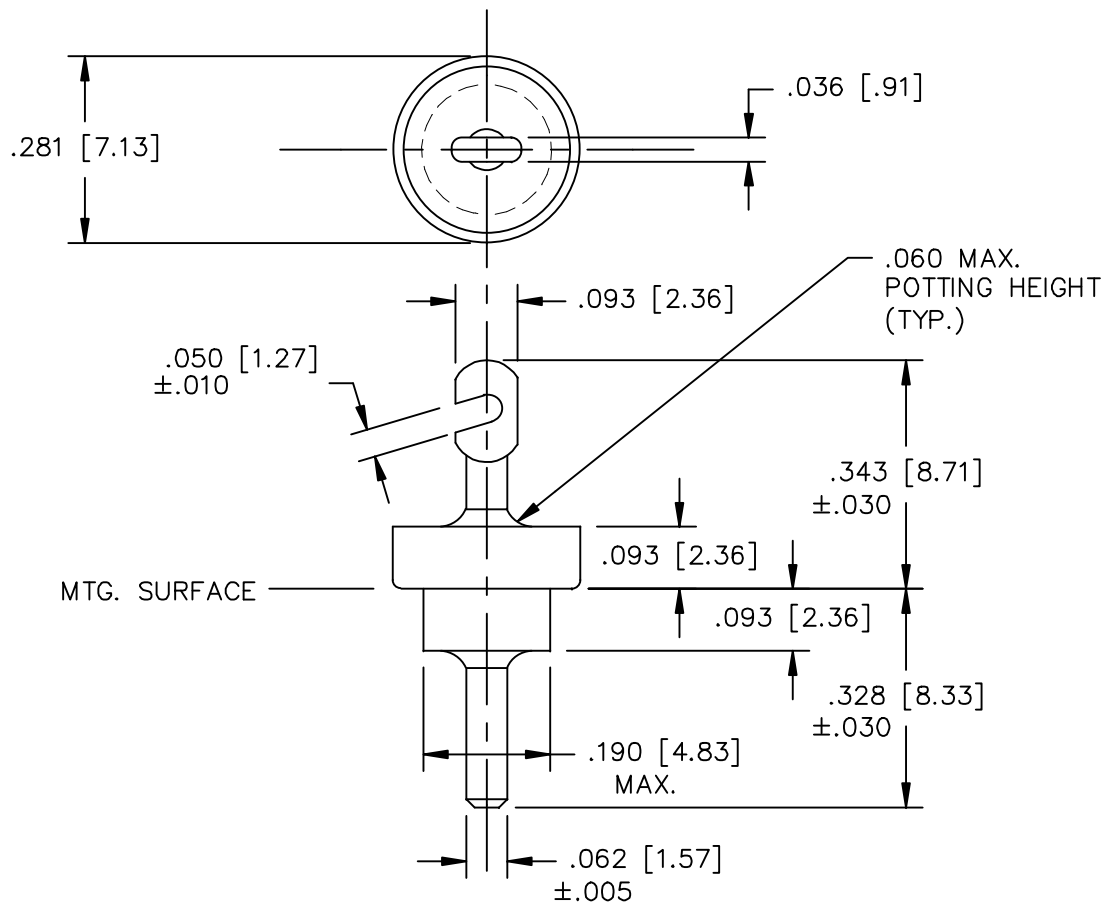


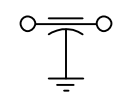
NOTES:

1. SUGGESTED MOUNTING HOLE = ϕ .191[4.86]
2. SOLDER PREFORM SUPPLIED AS HARDWARE.
3. PRE-FLATTEN/NOTCH DIMENSIONS FOR TOP = $.323 \pm .010$



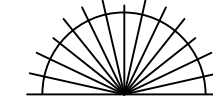
LEAD FINISH: SOLDER	
BUSHING FINISH: SILVER	
CAPACITANCE	1000pF +100/-0%
TEMP. RANGE	-55°C TO 125°C
CURRENT	25 AMP MAX.
WORKING VOLTAGE	85°C VDC MAX. 125°C 500VDC MAX.
D.C. RESISTANCE	.01ohms MAX.
MIN. I.L. PER MIL-STD-220 AT 25°C NO LOAD	
FREQ. MHz	I.L. (db)
1	N/A
10	N/A
100	N/A
1 GHz	N/A
10 GHz	N/A

SCHEMATIC



MARKING:

PART: NONE
 BAG:
 54-794-002-102P
 DATE CODE
 QTY./BAG (200 MAX.)

CN. 35248-ENG	03	REV. N.D.	TOLERANCES UNLESS OTHERWISE SPECIFIED	 ERIE, FAIRVIEW PENNSYLVANIA SPECTRUM CONTROL INC.	
	02		Fractions $\pm 1/64$		
	01		Dec. $.xx \pm$		
	00		Dec. $.xxx \pm .015$		
	CHANGE NOTICE		Angles $\pm 0^\circ 30'$		
CN. 211660			CODE IDENT. NO. 0LSP2	Dwn. KAUFFMAN	Description FT CERAMIC FILTER
CN. 211427				Date 3-01-99	
CN. 185012				Engr. J. KRAUS	54794002X5V102P
				DO NOT SCALE	

