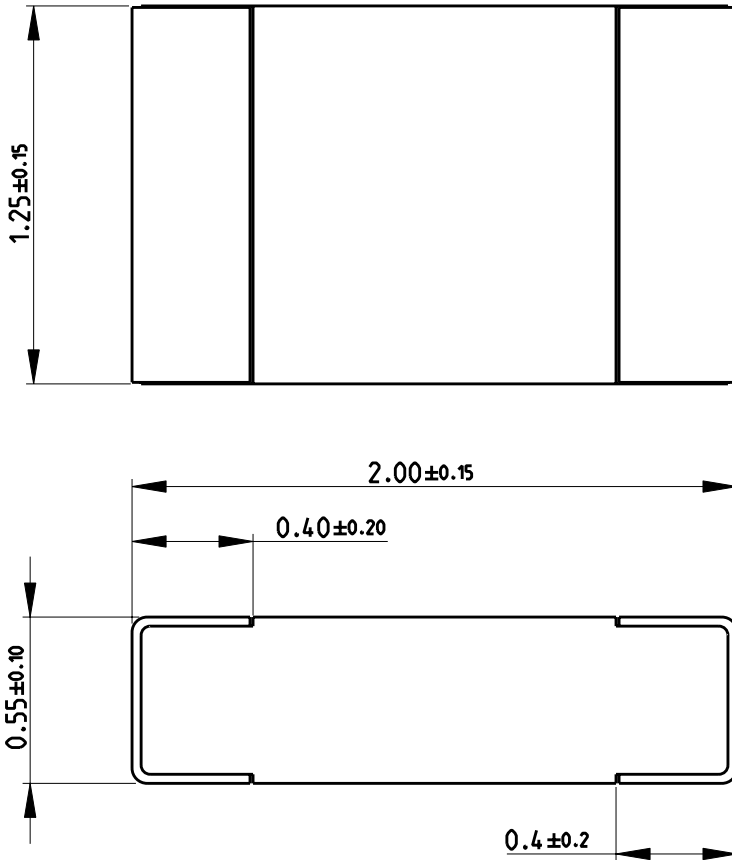
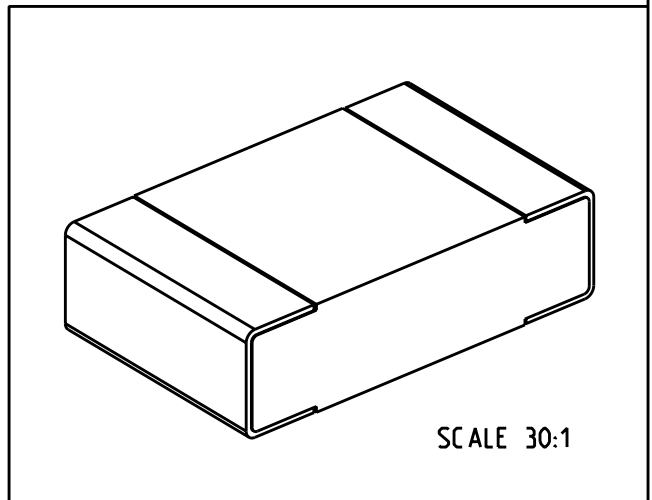


LOC	DIST	REVISIONS					
E	B	P	LTR	DESCRIPTION	DATE	DWN	APVD
		BA		NEW RELEASE	11-MAY-09	SM	St.P

FOR FURTHER INFORMATION SEE DATA SHEET FOR
CRG SERIES-THICK FILM CHIP RESISTORS



RoHS Compliant



2009

RELEASED FOR PUBLICATION

THIS DRAWING IS UNPUBLISHED.

BY TYCO ELECTRONICS CORPORATION. ALL RIGHTS RESERVED.

© COPYRIGHT 2009

DIMENSIONS:		DWN	11-MAY-09	MATERIAL	FINISH		
mm		SUBHASH.M		-	-		
TOLERANCES UNLESS OTHERWISE SPECIFIED:		CHK	11-MAY-09	Tyco Electronics Corporation Dorcan, Swindon, SN3 5HH			
0 PLC	± 0.5	PRAKASH.S					
1 PLC	± 0.2	APVD	11-MAY-09	NAME THICK FILM CHIP RESISTORS SERIES CRG 0805			
2 PLC	± 0.1	STEPHEN.P					
3 PLC	$\pm -$	PRODUCT SPEC	-	SIZE	CAGE CODE	DRAWING NO	RESTRICTED TO
4 PLC	$\pm -$	APPLICATION SPEC	-	A 4	00779	C- 1623227	-
ANGLES	$\pm 5^\circ$	WEIGHT	-	CUSTOMER DRAWING			SCALE
				40:1	SHEET	1 OF 1	REV
							BA