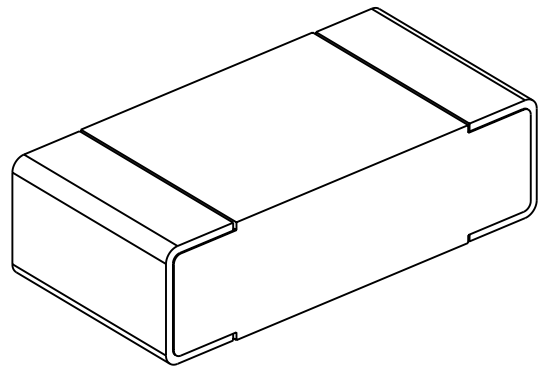
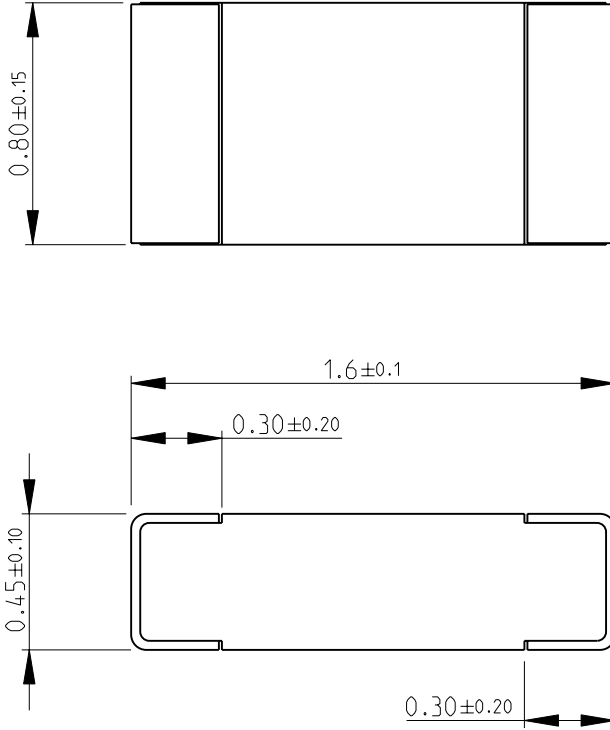


LOC	DIST	REVISIONS					
E	B	P	LTR	DESCRIPTION	DATE	DWN	APVD
			BA	NEW RELEASE	03-NOV-08	SM	St.P

FOR FURTHER INFORMATION SEE DATA SHEET FOR  
CRG SERIES-THICK FILM CHIP RESISTORS



RoHS Compliant

2008

RELEASED FOR PUBLICATION

THIS DRAWING IS UNPUBLISHED.

BY TYCO ELECTRONICS CORPORATION. ALL RIGHTS RESERVED.



DIMENSIONS: mm	DWN	SUBHASH.M	03-NOV-08	MATERIAL	-	FINISH	-
	CHK	PRAKASH.S	03-NOV-08	Tyco Electronics Corporation Dorcan, Swindon, SN3 5HH			
TOLERANCES UNLESS OTHERWISE SPECIFIED:	APVD	STEPHEN.P	03-NOV-08				
0 PLC $\pm 0.5$	PRODUCT SPEC	NAME THICK FILM CHIP RESISTORS SERIES CRG 0603					
1 PLC $\pm 0.2$	APPLICATION SPEC						
2 PLC $\pm 0.1$	WEIGHT	-	SIZE	CAGE CODE	DRAWING NO	RESTRICTED TO	-
3 PLC $\pm -$	CUSTOMER DRAWING			A 4	00779	© = 1622896	-
4 PLC $\pm -$				SCALE	40:1	SHEET	1 OF 1
ANGLES $\pm 5^\circ$						REV	BA