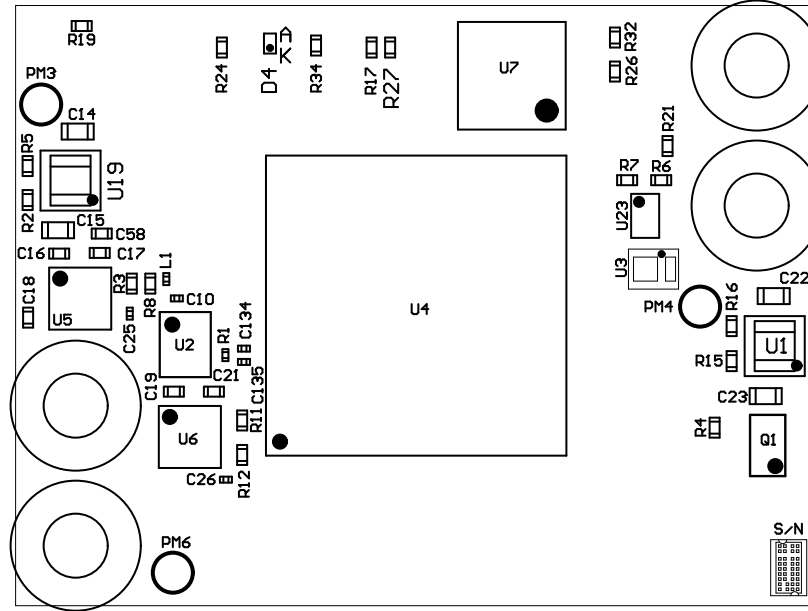
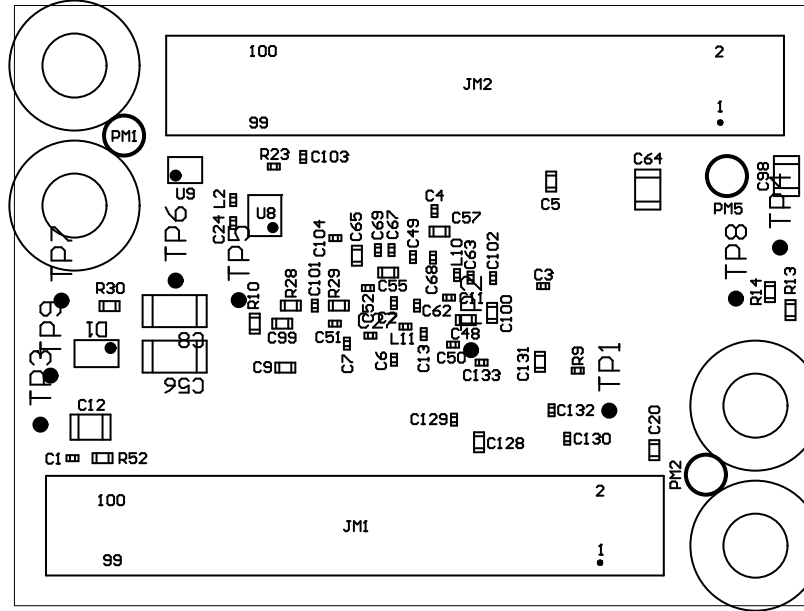


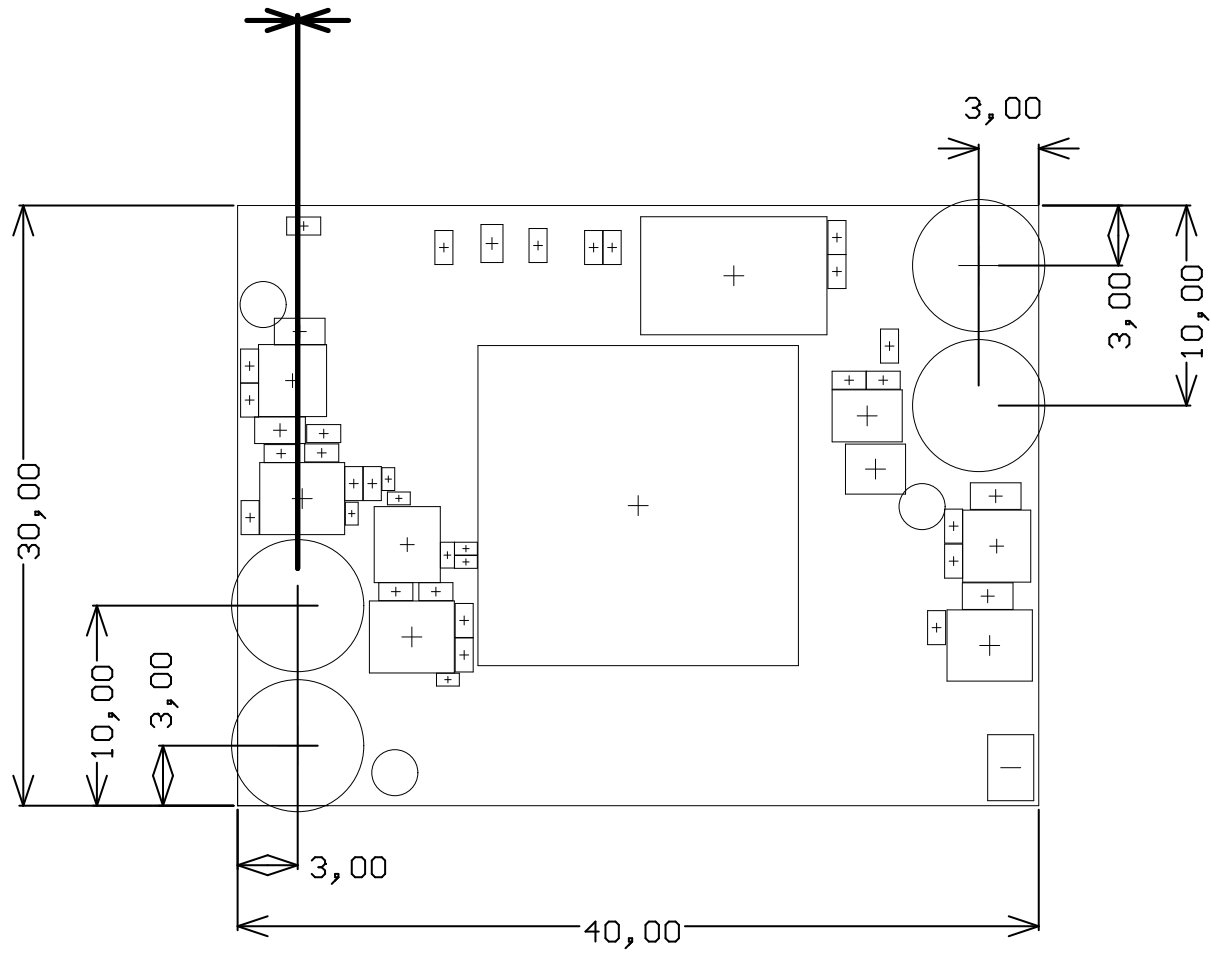
Top View



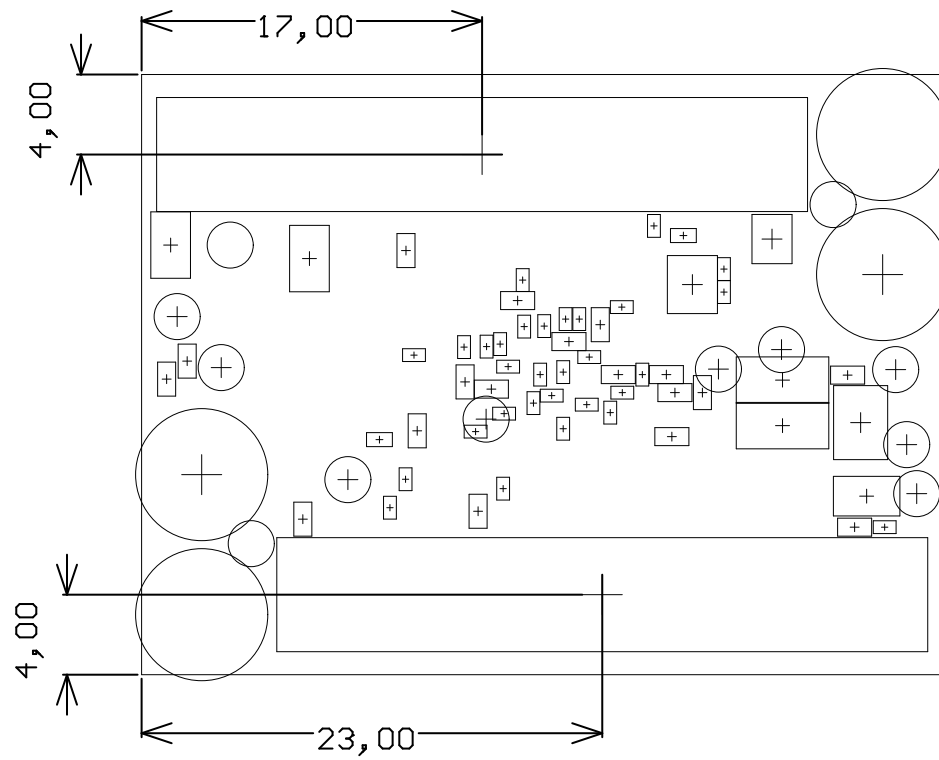
Bottom View



∅ 0,00mm



Mounting Holes



Samtec Connector S