

General Description

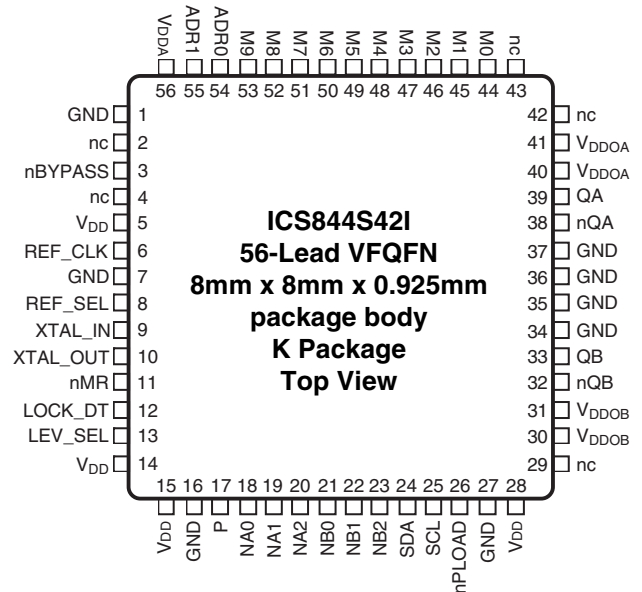
The 844S42I is a 3.3V compatible, PLL based clock synthesizer targeted for clock generation in high-performance instrumentation, networking and computing applications. Using either the serial (I²C) or parallel programming interface, the 844S42I enables the generation of clock frequencies in the range of 81MHz to 2592MHz. The internal crystal oscillator uses the external quartz crystal as the basis of its frequency reference. Alternatively, a LVCMOS compatible clock signal can be used as PLL reference signal. The device uses an integer-N synthesizer architecture and is optimized for low-jitter generation. The VCO within the PLL operates over a range of 1296MHz to 2592MHz. Its output is scaled by a divider that is configured by either the I²C or parallel interfaces. The crystal oscillator frequency f_{XTAL} , the PLL pre-divider P, the feedback-divider M and the PLL post-divider N determine the output frequency. The feedback path of the PLL is internal.

The PLL post-dividers NA and NB are configured through either the I²C or the parallel interfaces, each can provide one of seven division ratios (1, 2, 3, 4, 6, 8, 16). This divider extends the performance of the part while providing a typical 50% duty cycle. The high-frequency outputs QA and QB are differential and are capable of driving a pair of transmission lines. The positive supply voltage for the internal PLL is separated from the power supply for the core logic and output drivers to minimize noise induced jitter. The serial interface is I²C compatible and provides read and write access to the internal PLL configuration registers. The lock state of the PLL is indicated by the LVCMOS-compatible LOCK_DT output. The 844S42I is packaged in a 8mm x 8mm 56-lead VFQFN package.

Features

- Programmable frequency synthesis optimized for instrumentation, networking and computing applications
- 81MHz to 2592MHz synthesized clock output signal
- Two differential, universal LVDS or LVPECL compatible high-frequency outputs
- Output frequency programmable through 2-wire I²C bus or parallel interface
- On-chip crystal oscillator for reference frequency generation
- Alternative LVCMOS/LVTTL compatible reference clock input
- Clock stop and output enable functionality
- PLL lock indicator output (LVCMOS/LVTTL)
- LVCMOS/LVTTL compatible control inputs
- Fully integrated PLL
- SiGe Technology
- Full 3.3V supply voltage
- -40°C to 85°C ambient operating temperature
- Available in a lead-free (RoHS 6) compliant package

Pin Assignment



Block Diagram

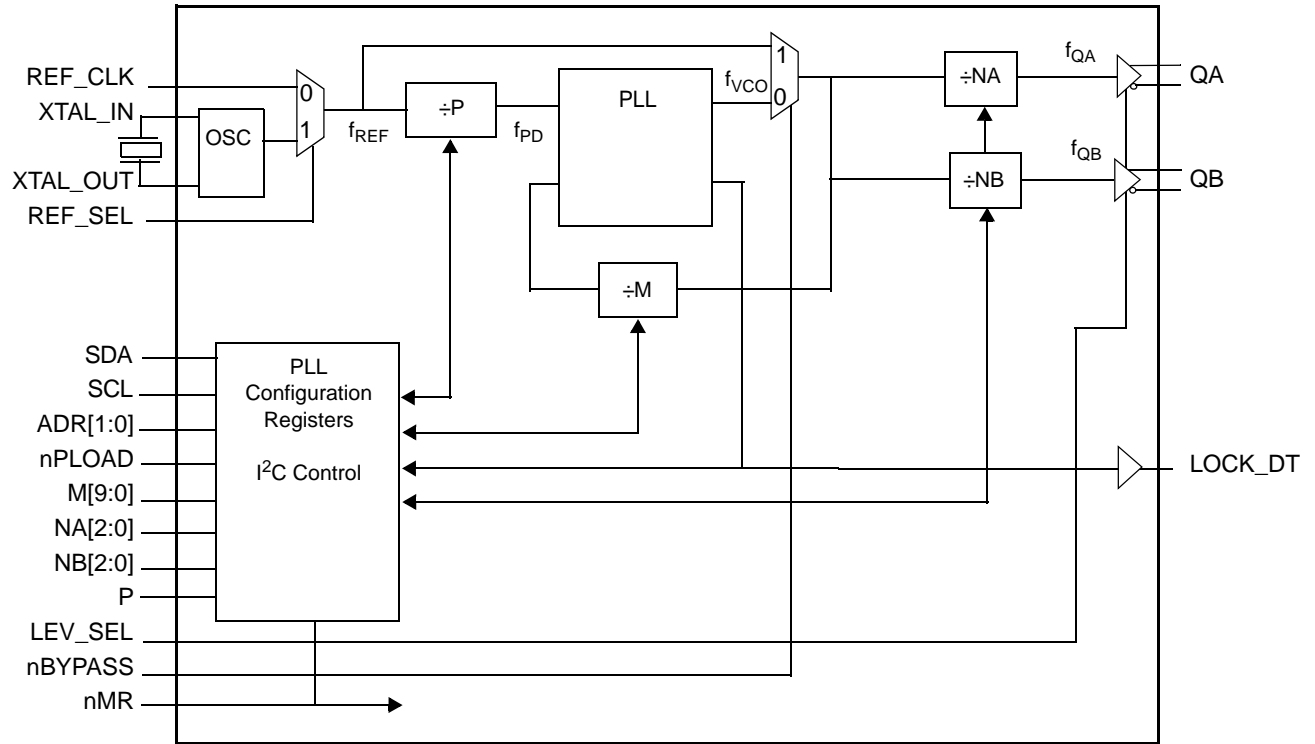


Table 1. Pin Descriptions

Number	Name	Type		Description
1, 7, 16, 27, 34, 35, 36, 37	GND	Power		Power supply ground.
2, 4, 29, 42, 43	nc	Unused		Do not connect.
3	nBYPASS	Input	Pulldown	PLL bypass. LVCMOS/LVTTL interface levels.
5, 14, 15, 28	V _{DD}	Power		Digital power supply pins.
6	REF_CLK	Input	Pulldown	Single-ended reference clock input. LVCMOS/LVTTL interface levels.
8	REF_SEL	Input	Pullup	Reference select pin. LVCMOS/LVTTL interface levels.
9, 10	XTAL_IN XTAL_OUT			Crystal oscillator interface. XTAL_IN is the input, XTAL_OUT is the output.
11	nMR	Input	Pullup	Master reset. nMR resets the I ² C, output dividers and the LOCK_DT. LVCMOS/LVTTL interface levels.
12	LOCK_DT	Output		Lock detect output. LVCMOS/LVTTL interface levels.
13	LEV_SEL	Input	Pulldown	Output level select (LVDS and LVPECL). LVCMOS/LVTTL interface levels.
17	P	Input	Pullup	Parallel configuration of PLL pre-divider. LVCMOS/LVTTL interface levels.
18, 19, 20	NA0, NA1, NA2	Input	Pulldown	Parallel configuration of QA output dividers. LVCMOS/LVTTL interface levels.
21, 22, 23	NB0, NB1, NB2	Input	Pulldown	Parallel configuration of QB output dividers. LVCMOS/LVTTL interface levels.
24	SDA	I/O	Pullup	I ² C data input/output pin. LVCMOS/LVTTL interface levels.
25	SCL	I/O	Pullup	I ² C clock. LVCMOS/LVTTL interface levels.
26	nPLOAD	Input	Pulldown	Selects the programming interface. LVCMOS/LVTTL interface levels.
30, 31	V _{DDOB}	Power		Bank B output power supply pins.
32, 33	nQB, QB	Output		QB differential clock output pair. LVPECL or LVDS interface levels.
38, 39	nQA, QA	Output		QA differential clock output pair. LVPECL or LVDS interface levels.
40, 41	V _{DDOA}	Power		Bank A output power supply pins.
44, 48, 49, 50, 53	M0, M4, M5, M6, M9	Input	Pullup	Parallel configuration of PLL feedback dividers. LVCMOS/LVTTL interface levels.
45, 46, 47, 51, 52	M1, M2, M3, M7, M8	Input	Pulldown	
54, 55	ADR0, ADR1	Input	Pulldown	Bits 2 and 1 of the device I ² C address. LVCMOS/LVTTL interface levels.
56	V _{DDA}	Power		Internal PLL power supply pin.

NOTE: Pullup and Pulldown refer to internal input resistors. See Table 2, *Pin Characteristics*, for typical values.

Table 2. Pin Characteristics

Symbol	Parameter	Test Conditions	Minimum	Typical	Maximum	Units
C _{IN}	Input Capacitance			2		pF
R _{PULLUP}	Input Pullup Resistor			51		kΩ
R _{PULLDOWN}	Input Pulldown Resistor			51		kΩ
R _{OUT}	Output Impedance	LOCK_DT		20		Ω

Functional Description

The 844S42I is a programmable high-frequency clock source (clock synthesizer). The internal PLL generates a high frequency output signal based on a low-frequency reference signal. The frequency of the output signal is programmable and can be changed on the fly for frequency margining purpose. The internal crystal oscillator uses the parallel-resonance external quartz crystal as the basis of its frequency reference. Alternatively, an LVCMOS compatible clock signal can be used as a PLL reference signal. The frequency of the internal crystal oscillator is divided by a selectable divider and then multiplied by the PLL. The internal oscillator within the PLL operates over a range of 1296 MHz to 2592 MHz. Its output is scaled by two independent dividers that are configured by either the I²C or parallel interfaces. The crystal oscillator frequency f_{XTAL} , the PLL pre-divider P, the feedback-divider M, and the PLL post-dividers NA, NB determine the output frequency. The feedback path of the PLL is internal.

The PLL post-dividers NA and NB are configured through either the I²C or the parallel interfaces, and each can provide one of seven division ratios (1, 2, 3, 4, 6, 8, 16) and can stop the output clock in a logic low state. The divider extends the performance of the part while providing a typical 50% duty cycle. The high-frequency outputs, QA and QB, are differential and are capable of driving a pair of transmission lines. The differential outputs are configured as LVDS or LVPECL by the control input LEV_SEL. The positive supply voltage for the internal PLL is separated from the power supply for the core logic and output drivers to minimize noise induced jitter.

The configuration logic has two sections: I²C and parallel. The parallel interface uses the values at the M[9:0], NA[2:0], NB[2:0] and P parallel inputs to configure the internal PLL dividers. The parallel programming interface has priority over the serial I²C interface. The serial interface is I²C compatible and provides read and write access to the internal PLL configuration registers. The lock state of the PLL is indicated by the LVCMOS-compatible LOCK_DT output.

Device Configuration

The ICS844S42I supports an output frequency range of 81MHz to 2592MHz. The output frequency f_{OUT} is a function of the reference frequency f_{REF} and the three internal PLL dividers P, M, and N. f_{OUT} can be represented by this formula:

$$f_{OUT} = (f_{REF} \div P) \cdot M \div (NA, NB)$$

The M, N and P dividers require a configuration by the user to achieve the desired output frequency. The output dividers NA, NB determine the achievable output frequency range (see Table 3A). The PLL feedback-divider M is the frequency multiplication factor and the main variable for frequency synthesis. For a given reference frequency f_{REF} , the PLL feedback-divider M must be configured to match the specified VCO frequency range in order to achieve a valid PLL configuration:

$$f_{VCO} = (f_{REF} \div P) \cdot M \text{ and } 1296\text{MHz} \leq f_{VCO} \leq 2592\text{MHz}$$

The output frequency may be changed at any time by changing the value of the PLL feedback divider M. The smallest possible output frequency change is the synthesizer granularity G (difference in f_{OUT} when incrementing or decrementing M). At a given reference frequency, G is a function of the PLL pre-divider P and post-divider N:

$$G = f_{REF} \div (P \cdot NA, NB)$$

The purpose of the PLL pre-divider P is to situate the PLL into the specified VCO frequency range f_{VCO} (in combination with M). For a given output frequency, $P = \div 4$ results in a smaller output frequency granularity G, $P = \div 2$ results in a larger output frequency granularity G and also decreases the PLL bandwidth compared to the $P = \div 4$ setting. The following example illustrates the output frequency range of the 844S42I using a 16MHz reference frequency.

Table 3A. Device Configuration Table for $f_{REF} = 16\text{MHz}$

Output Frequency (MHz)	NA, NB	M	P	G (MHz)
1296 – 2592	1	324 – 648	4	4
		162 – 324	2	8
648 – 1296	2	324 – 648	4	2
		162 – 324	2	4
432 – 864	3	324 – 648	4	1.33
		162 – 324	2	2.66
324 – 648	4	324 – 648	4	1
		162 – 324	2	2
216 – 432	6	324 – 648	4	0.66
		162 – 324	2	1.33
162 – 324	8	324 – 648	4	0.5
		162 – 324	2	1
81 – 162	16	324 – 648	4	0.25
		162 – 324	2	0.5

Example Output Frequency Configuration

If a single reference frequency of 16MHz is available, an output frequency at QA of 2500MHz and a small frequency granularity is desired, the following steps would be taken to identify the appropriate P, M, and N configuration:

1. Use Table 3A to select the output divider, NA, that matches the desired output frequency or frequency range. According to Table 3A a target output frequency of 2500MHz falls in the f_{OUT} range of 1296MHz to 2592MHz and requires to set NA = 1.
2. Calculate the VCO frequency $f_{VCO} = f_{OUT} \cdot NA$, which is 2500MHz in this example.
3. Determine the PLL feedback divider: $M = f_{VCO} \div P$. The smallest possible output granularity in this example calculation is 4MHz (set P = 4). M calculates to a value of $2500MHz \div 4 = 625MHz$.

4. Configure the 844S42I with the obtained settings:

- M[9:0] = 1001110001b (binary number for M = 625)
- NA[2:0] = 000 ($\div 1$ divider, see Table 3C)
- P = 1 ($\div 4$ divider, see Table 3B)
- NB[2:0] = 111 will stop (disable) the QB output

5. Use either parallel or serial interface to apply the setting.

The I²C configuration byte for this examples are:

0x00 = 01110001b, 0x01 = 10111000b and 0x02 = 10000000b. See Table 3H for a register map.

PLL Divider Configuration

Table 3B. Pre-Divider (P) Table

P	Pre-Divider P	Operation
0	2	$f_{PD} = f_{REF} \div 2$
1 (default)	4	$f_{PD} = f_{REF} \div 4$

Table 3C. Post-Divider (Nx) Table

NA, NB			Post-Divider NA, NB	Operation
2	1	0		
0 (default)	0 (default)	0 (default)	1	$f_{QA}, f_{QB} = f_{VCO} \div 1$
0	0	1	2	$f_{QA}, f_{QB} = f_{VCO} \div 2$
0	1	0	3	$f_{QA}, f_{QB} = f_{VCO} \div 3$
0	1	1	6	$f_{QA}, f_{QB} = f_{VCO} \div 6$
1	0	0	4	$f_{QA}, f_{QB} = f_{VCO} \div 4$
1	0	1	8	$f_{QA}, f_{QB} = f_{VCO} \div 8$
1	1	0	16	$f_{QA}, f_{QB} = f_{VCO} \div 16$
1	1	1	N/A	Output stopped in logic low state

Programming the 844S42I

The 844S42I has a parallel and a serial configuration interface. The purpose of the parallel interface is to directly configure the PLL dividers through hardware pins without the overhead of a serial protocol. At device startup, the device always obtains an initial PLL frequency configuration through the parallel interface. The parallel interface does not support reading the PLL configuration. The serial interface is I²C compatible. It allows reading and writing device settings by accessing internal device registers. The serial interface is designed for host-controller access to the synthesizer frequency settings, for instance, in frequency-margining applications.

Using the Parallel Interface

The parallel interface supports write-access to the PLL frequency setting directly through 17 configuration pins (P, M[9:0], NA[2:0], and NB[2:0]). The parallel interface must be enabled by setting nPLOAD

to logic low level. During nPLOAD = 0, any change of the logical state of the P, M[9:0], NA[2:0] and NB[2:0] pins will immediately affect the internal PLL divider settings, resulting in a change of the internal VCO frequency and the output frequency. The parallel interface mode disables the I²C write-access to the internal registers; however, I²C read-access to the internal configuration registers is enabled. Upon startup, when the device reset signal is released (rising edge of the nMR signal), the device reads its startup configuration through the parallel interface and independent of the state of nPLOAD. It is recommended to provide a valid PLL configuration for startup. If the parallel interface pins are left open, a default PLL configuration will be loaded. After the low-to-high transition of nPLOAD, the configuration pins have no more effect and the configuration registers are made accessible through the serial interface.

Table 3D. PLL Feedback Divider (M) Configuration Table

M Bits	9	8	7	6	5	4	3	2	1	0
Pin	M9	M8	M7	M6	M5	M4	M3	M2	M1	M0
Default	1	0	0	1	1	1	0	0	0	1

Table 3E. PLL Post-Divider (NA) Configuration Table

NA Bits	2	1	0
Pin	NA2	NA1	NA0
Default	0	0	0

Table 3F. PLL Post-Divider (NB) Configuration Table

NB Bits	2	1	0
Pin	NB2	NB1	NB0
Default	0	0	0

Table 3G. PLL Pre-Divider (P) Configuration Table

P	
Pin	P
Default	1

Using the I²C Interface

nPLOAD = 1 enables the programming and monitoring of the internal registers through the I²C interface. Device register access (write and read) is possible through the 2-wire interface using SDA (configuration data) and SCL (configuration clock) signals. The 844S42I acts as a slave device at the I²C bus. For further information on I²C it is recommended to refer to the I²C bus specification (version 2.1).

nPLOAD = 0 disables the I²C-write-access to the configuration registers and any data written into the register is ignored. However,

the 844S42I is still visible at the I²C interface and I²C transfers are acknowledged by the device. Read-access to the internal registers during nPLOAD = 0 (parallel programming mode) is supported. Note that the device automatically obtains a configuration using the parallel interface upon the release of the device reset (rising edge of nMR) and independent on the state of nPLOAD. Changing the state of the nPLOAD input is not supported when the device performs any transactions on the I²C interface.

Programming Model and Register Set

The synthesizer contains three fully accessible configuration registers (0x00 through 0x02). Programming the synthesizer frequency through the I²C interface is a one step process at which all registers are written at once by a single I²C transaction. The PLL frequency is affected as a result of the completion of the entire three register file write access at the end of writing byte 0x02. The configuration registers are read as a single I²C transaction. All registers are read back-to-back. Note that the synthesizer does not check any boundary conditions such as the VCO frequency range. Writing the PLL registers could result in invalid VCO frequencies (VCO frequency beyond lock range).

Register Map

It is always required to configure the entire 844S42I register file (0x00, 0x01, 0x02), addressing single register bytes is not supported. Writing any information to the bits 2, 1 and 0 in register 0x02 is ignored. These bits indicate information updated by the synthesizer (bit 2 is the PLL lock status, bits 1 and 0 are copies of the ADR[1:0] pin status).

Table 3H. Register File Table

Register Address	7	6	5	4	3	2	1	0	Access
0x00H	M7	M6	M5	M4	M3	M2	M1	M0	R/W
Default	0	1	1	1	0	0	0	1	
0x01H	M9	M8	NA2	NA1	NA0	NB2	NB1	NB0	R/W
Default	1	0	0	0	0	0	0	0	
0x02H	P	RES	RES	RES	RES	LOCK	ADR1	ADR0	R/W
Default	1	0	0	0	0	0	0	0	

I²C Register Access in Parallel Mode

The 844S42I supports the configuration of the synthesizer through the parallel interface (nPLOAD = 0) and serial interface (nPLOAD = 1). Register contents and the divider configurations are not changed when the user switches from parallel mode to serial mode. However, when switching from serial mode to parallel mode, the PLL dividers immediately reflect the logical state of the hardware pins M[9:0], NA[2:0], NB[2:0], and P. Applications using the parallel interface to obtain a PLL configuration can use the serial interface to verify the

divider settings. In parallel mode (nPLOAD = 0), the 844S42I allows read-access to the registers through I²C (if nPLOAD = 0), the current PLL configuration is stored in the registers. After changing from parallel to serial mode (nPLOAD = 1), the last PLL configuration is still stored in the registers. The user now has full write and read access to both configuration registers through the I²C bus and can change the configuration at any time.

Programming the I²C Interface

Table 3I. I²C Slave Address Table

Bit	7	6	5	4	3	2	1	0
Value	1	0	1	1	0	ADR1	ADR0	R/W

The 844S42I acts as a slave device at the I²C bus. The register file is reset to its default values at power-up by an integrated power-on reset circuit or by applying an external device reset signal (nMR). The 7-bit I²C slave address of the 844S42I synthesizer is a combination of a 5-bit fixed addresses and two variable bits which are set by the hardware pins ADR[1:0]. Bit 0 of the 844S42I slave address is used by the bus controller to select either the read or write mode. '0' indicates a transmission (I²C-WRITE) to the 844S42I. "1" indicates a request for data (I²C-READ) from the synthesizer. The hardware pins ADR1 and ADR0 and should be individually set by the user to avoid address conflicts of multiple 844S42I devices on the same I²C bus.

Each access to the I²C register file must read or write the entire four register bytes at one time. Each transfer starts with register 0x00H, followed by register 0x01H, until register 0x02H. Addressing individual bytes is not supported. The bytes will program internal part circuitry upon receipt of all three bytes and a given I²C bus <STOP> signal.

Device Startup

General Device Configuration: It is recommended to reset the 844S42I after the system powers up. The device acquires an initial PLL divider configuration through the parallel interface pins M[9:0], NA[2:0], NB[2:0] and P^{NOTE1} with the low-to-high transition of nMR^{NOTE2}. PLL frequency lock is achieved within the specified lock time (t_{LOCK}) and is indicated by an assertion of the LOCK_DT signal which completes the startup procedure. The output frequency can be reconfigured at any time through either the parallel or the serial interface.

Starting-Up Using the Parallel Interface

The simplest way to use the 844S42I is through the parallel interface. The serial interface pins (SDA, SDL, and ADR[1:0]) can be left open and nPLOAD is set to logic low. After the release of nMR and at any other time the PLL and output frequency configuration is directly set to through the M[9:0], NA[2:0], NB[2:0] and P pins.

Table 3J. REF_SEL Configuration Table

REF_SEL	Operation
0	Selects REF_CLK input as reference frequency input
1 (default)	Selects the XTAL interface as reference frequency

NOTE 1: The parallel interface pins M[9:0], NA[2:0], NB[2:0] and P may be left open (floating). In this case the initial PLL configuration will have the default setting of M = 625MHz, P = 1 (÷4), NA[2:0] = 000 (÷1), NB[2:0] = 000 (÷1), resulting in an internal VCO frequency of 2500MHz (f_{REF} = 16MHz) and an output frequency of 2500MHz at both outputs.

NOTE 2: The initial PLL configuration is independent on the selected programming mode (nPLOAD low or high).

Table 3K. nBYPASS Configuration Table

nBYPASS	Operation
0 (default)	f _{QA} , f _{QB} = ((f _{REF} ÷ P) * M) ÷ NA, NB PLL operation
1	f _{QA} , f _{QB} = f _{REF} ÷ NA, NB PLL is bypassed, AC specifications do not apply

The nBYPASS control should be set to logic LOW for normal operation. nBYPASS = 1 enables the PLL bypass mode for factory test. In PLL bypass mode, the output frequency is equal to the input frequency divided by NA, NB and frequency multiplication is disabled.

Table 3L. nMR Configuration Table

nMR	Operation
0	The device is reset and the default settings are loaded into the I ² C file (low to high transition of nMR)
1 (default)	Normal operation

The output type and output voltage levels of both outputs are configured through the configuration input LEV_SEL. LEV_SEL connected to logic high results in LVPECL output levels and LEV_SEL connected to logic low results in LVDS output levels of both QA and QB differential outputs.

Table 3M. LEV_SEL Configuration Table

LEV_SEL	Operation
0 (default)	QA, QB outputs are LVDS compatible
1	QA, QB outputs are LVPECL compatible

Table 3N. LOCK_DT Configuration Table

LOCK_DT	Operation
0	Device is not locked to the input reference clock
1	Device is locked to the input reference clock

Absolute Maximum Ratings

NOTE: Stresses beyond those listed under *Absolute Maximum Ratings* may cause permanent damage to the device. These ratings are stress specifications only. Functional operation of product at these conditions or any conditions beyond those listed in the *DC Characteristics* or *AC Characteristics* is not implied. Exposure to absolute maximum rating conditions for extended periods may affect product reliability.

Item	Rating
Supply Voltage, V_{DD}	4.6V
Inputs, V_I	-0.5V to $V_{DD} + 0.5V$
Outputs, I_O (LVPECL) Continuous Current Surge Current	50mA 100mA
Outputs, I_O (LVDS) Continuous Current Surge Current	10mA 15mA
Outputs, V_O (LVCMOS)	-0.5V to $V_{DDO} + 0.5V$
Package Thermal Impedance, θ_{JA}	31.4°C/W (0 mps)
Storage Temperature, T_{STG}	-65°C to 150°C

DC Electrical Characteristics

Table 4A. Power Supply DC Characteristics, $V_{DD} = V_{DDOA} = V_{DDOB} = 3.3V \pm 5\%$, $T_A = -40^\circ\text{C}$ to 85°C

Symbol	Parameter	Test Conditions	Minimum	Typical	Maximum	Units
V_{DD}	Core Supply Voltage		3.135	3.3	3.465	V
V_{DDA}	Analog Supply Voltage		$V_{DD} - 0.23$	3.3	V_{DD}	V
V_{DDOA} , V_{DDOB}	Output Supply Voltage		3.135	3.3	3.465	V
I_{DD}	Power Supply Current	LEV_SEL = 0			195	mA
I_{DDA}	Analog Supply Current	LEV_SEL = 0			23	mA
$I_{DDOA} +$ I_{DDOB}	Output Supply Current	LEV_SEL = 0			52	mA
I_{GND}	Power Supply Current	LEV_SEL = 1			275	mA

NOTE: Refer to the Power Considerations section. In LVDS output mode, the I_{DD} , I_{DDA} and I_{DDO} specifications apply. I_{DDO} is the current through all V_{DDOA} and V_{DDOB} pins. In LVPECL mode, the I_{GND} specification applies. I_{GND} is the current through all GND pins.

Table 4B. LVCMOS/LVTTL DC Characteristics, $V_{DD} = 3.3V \pm 5\%$, $T_A = -40^\circ C$ to $85^\circ C$

Symbol	Parameter	Test Conditions	Minimum	Typical	Maximum	Units
V_{IH}	Input High Voltage		2.2		$V_{DD} + 0.3$	V
V_{IL}	Input Low Voltage		-0.3		0.8	V
I_{IH}	Input High Current	REF_CLK, nPLOAD, LEV_SEL, ADR[1:0], NA[0:2], NB[0:2], M1, M2, M3, M7, M8, nBYPASS	$V_{DD} = V_{IN} = 3.465V$		150	μA
		M0, M4, M5, M6, M9, P, nMR, SDA, SCL, REF_SEL	$V_{DD} = V_{IN} = 3.465V$		10	μA
I_{IL}	Input Low Current	REF_CLK, nPLOAD, LEV_SEL, ADR[1:0], NA[0:2], NB[0:2], M1, M2, M3, M7, M8, nBYPASS	$V_{DD} = 3.465V, V_{IN} = 0V$	-10		μA
		M0, M4, M5, M6, M9, P, nMR, SDA, SCL, REF_SEL	$V_{DD} = 3.465V, V_{IN} = 0V$	-150		μA
V_{OH}	Output High Voltage	LOCK_DT	$I_{OH} = -12mA$	2.6		V
V_{OL}	Output Low Voltage	LOCK_DT	$I_{OL} = 12mA$		0.5	V

Table 4C. LVDS DC Characteristics, $V_{DD} = V_{DDOA} = V_{DDOB} = 3.3V \pm 5\%$, $T_A = -40^\circ C$ to $85^\circ C$

Symbol	Parameter	Test Conditions	Minimum	Typical	Maximum	Units
V_{OD}	Differential Output Voltage	LEV_SEL = 0	300	400	500	V
ΔV_{OD}	V_{OD} Magnitude Change	LEV_SEL = 0			50	mV
V_{OS}	Offset Voltage	LEV_SEL = 0	1.1	1.2	1.3	V
ΔV_{OS}	V_{OS} Magnitude Change	LEV_SEL = 0			50	mV

Table 4D. LVPECL DC Characteristics, $V_{DD} = V_{DDOA} = V_{DDOB} = 3.3V \pm 5\%$, $T_A = -40^\circ C$ to $85^\circ C$

Symbol	Parameter	Test Conditions	Minimum	Typical	Maximum	Units
V_{OH}	Output High Voltage; NOTE 1	LEV_SEL = 1	$V_{DDOx} - 1.2$		$V_{DDOx} - 0.8$	V
V_{OL}	Output Low Voltage; NOTE 1	LEV_SEL = 1	$V_{DDOx} - 2.0$		$V_{DDOx} - 1.4$	V
V_{SWING}	Peak-to-Peak Output Voltage Swing	LEV_SEL = 1	0.6		1	V

 NOTE 1: Outputs termination with 50Ω to $V_{DDOx} - 2V$.

Table 5. Crystal Characteristics

Parameter	Test Conditions	Minimum	Typical	Maximum	Units
Mode of Oscillation		Fundamental			
Frequency			16		MHz
Equivalent Series Resistance (ESR)				50	Ω
Shunt Capacitance				7	pF

AC Electrical Characteristics

Table 6. AC Characteristics, $V_{DD} = V_{DDOA} = V_{DDOB} = 3.3V \pm 5\%$, $T_A = -40^\circ\text{C}$ to $+85^\circ\text{C}$

Symbol	Parameter	Test Conditions	Minimum	Typical	Maximum	Units
f_{REF}	Input Reference Frequency			16		MHz
f_{VCO}	VCO frequency range		1296		2592	MHz
f_{OUT}	QA, QB Output frequency	NA, NB = $\div 1$	1296		2592	MHz
		NA, NB = $\div 2$	648		1296	MHz
		NA, NB = $\div 3$	432		864	MHz
		NA, NB = $\div 4$	324		648	MHz
		NA, NB = $\div 6$	216		432	MHz
		NA, NB = $\div 8$	162		324	MHz
		NA, NB = $\div 16$	81		162	MHz
$t_{sk(o)}$	Output Skew NOTE 1, 2, 3	$f_{QA} = f_{QB}$	NA, NB = $\div 1$		15	ps
			NA, NB $\neq \div 1$		25	ps
		$f_{QA} \neq f_{QB}$	across QA and QB at coincident edges, NA, NB = $\div 2$ or $\div 4$		80	ps
			across QA and QB at coincident edges, NA, NB = $\div 4$ or $\div 8$		35	ps
$t_{jit(cc)}$	Cycle-to-Cycle Jitter	$f_{QA} = f_{QB}$			25	ps
$t_{jit(per)}$	RMS Period Jitter	$f_{QA} = f_{QB}$	$f > 2\text{GHz}$		3.4	ps rms
		$f_{QA} = f_{QB}$	$f \leq 1\text{GHz}$		3.0	ps rms
		$f_{QA} = f_{QB}$	$1\text{GHz} < f \leq 2\text{GHz}$		2.5	ps rms
t_R / t_F	Output Rise/Fall Time	LVDS, LVPECL	20% to 80%	60	220	ps
odc	Output Duty Cycle	QA, QB	NA, NB = $\div 1$, LEV_SEL = 0	45	55	%
			NA, NB = $\div 1$, LEV_SEL = 1	44	56	%
			NA, NB = $\div 2$	46	54	%
			NA, NB = $\div 3$	47	53	%
			NA, NB = $\div 4, \div 6, \div 8, \div 16$	48	52	%

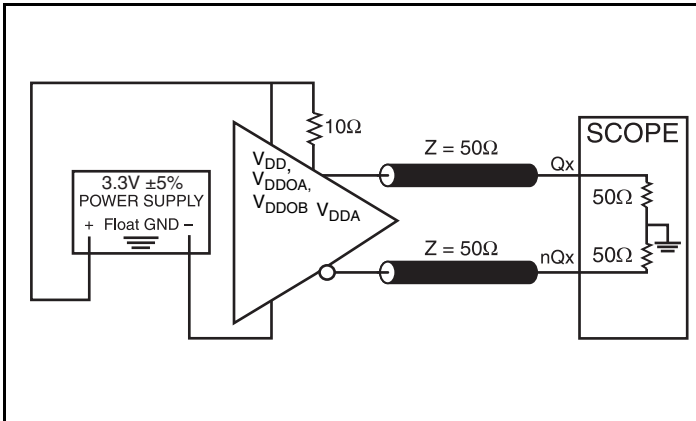
NOTE: Electrical parameters are guaranteed over the specified ambient operating temperature range, which is established when the device is mounted in a test socket with maintained transverse airflow greater than 500 lfm. The device will meet specifications after thermal equilibrium has been reached under these conditions.

NOTE 1: Defined as skew between output at the same supply voltage and with equal load conditions. Measured from $V_{DD}/2$ of the input to the differential crossing point.

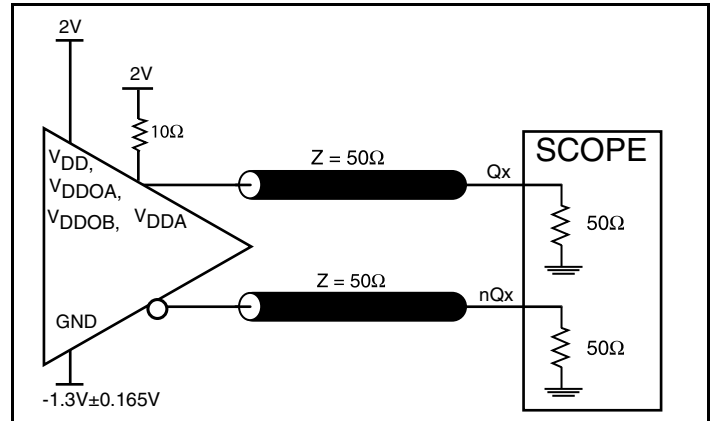
NOTE 2: This parameter is defined in accordance with JEDEC Standard 65.

NOTE 3: Other output divider combinations may yield much greater output skews.

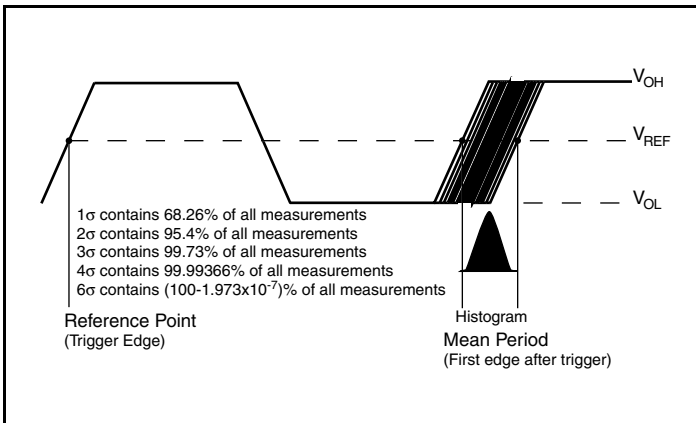
Parameter Measurement Information



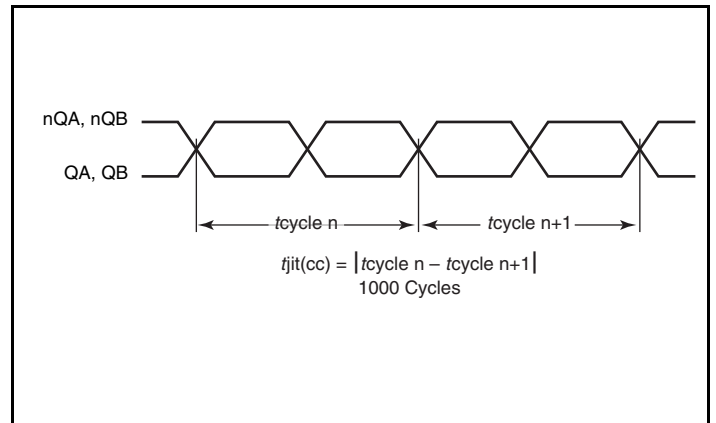
3.3V LVDS Output Load AC Test Circuit



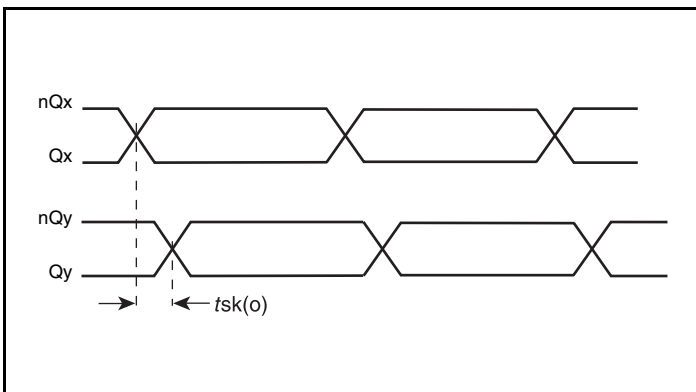
3.3V LVPECL Output Load AC Test Circuit



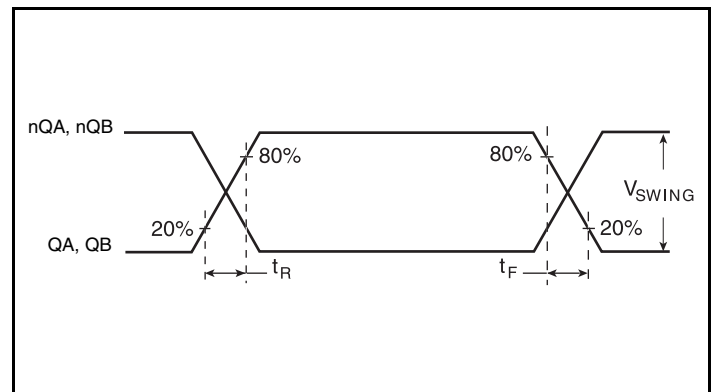
RMS Period Jitter



Cycle-to-Cycle Jitter

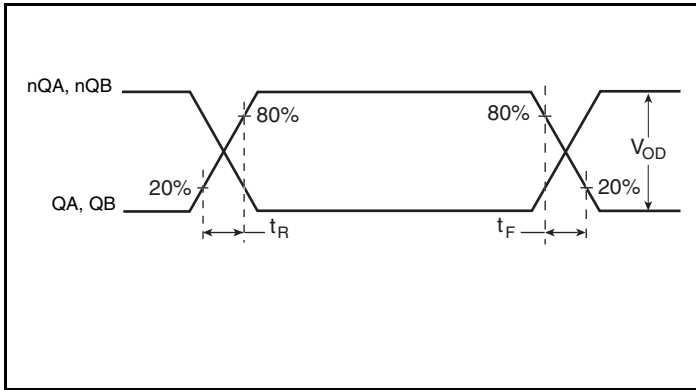


Output Skew

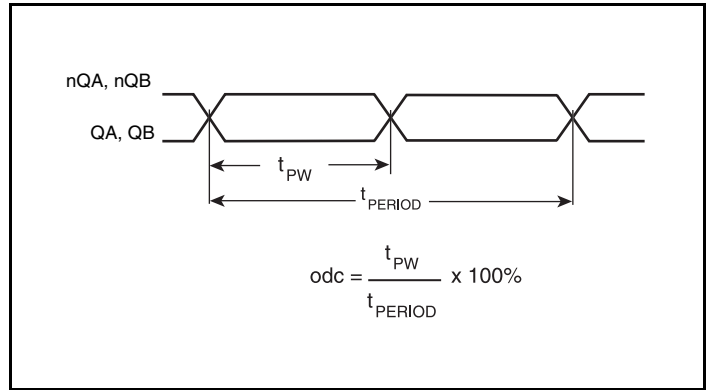


LVPECL Output Rise/Fall Time

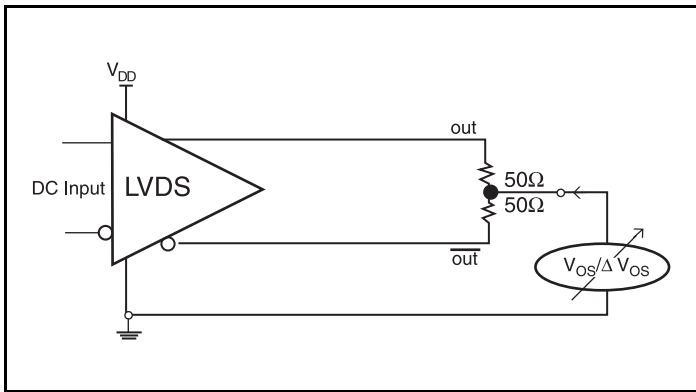
Parameter Measurement Information, continued



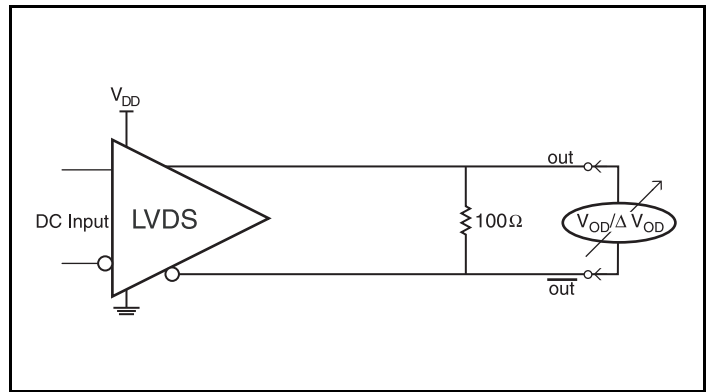
LVDS Output Rise/Fall Time



Output Duty Cycle/Pulse Width/Period



Offset Voltage Setup



Differential Output Voltage Setup

Application Information

Power Supply Filtering Technique

As in any high speed analog circuitry, the power supply pins are vulnerable to random noise. To achieve optimum jitter performance, power supply isolation is required. The 844S42I provides separate power supplies to isolate any high switching noise from the outputs to the internal PLL. V_{DD} , V_{DDA} , V_{DDOA} and V_{DDOB} should be individually connected to the power supply plane through vias, and $0.01\mu\text{F}$ bypass capacitors should be used for each pin. *Figure 1* illustrates this for a generic V_{DD} pin and also shows that V_{DDA} requires that an additional 10Ω resistor along with a $10\mu\text{F}$ bypass capacitor be connected to the V_{DDA} pin.

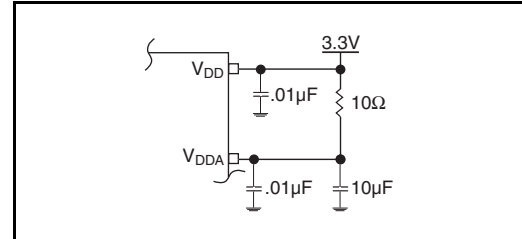


Figure 1. Power Supply Filtering

Recommendations for Unused Input and Output Pins

Inputs:

LVCMOS Control Pins

All control pins have internal pullups or pulldowns; additional resistance is not required but can be added for additional protection. A $1\text{k}\Omega$ resistor can be used.

Crystal Inputs

For applications not requiring the use of the crystal oscillator input, both XTAL_IN and XTAL_OUT can be left floating. Though not required, but for additional protection, a $1\text{k}\Omega$ resistor can be tied from XTAL_IN to ground.

REF_CLK Input

For applications not requiring the use of the reference clock, it can be left floating. Though not required, but for additional protection, a $1\text{k}\Omega$ resistor can be tied from the REF_CLK to ground.

Outputs:

LVPECL Outputs

All unused LVPECL outputs can be left floating. We recommend that there is no trace attached. Both sides of the differential output pair should either be left floating or terminated.

LVDS Outputs

All unused LVDS output pairs can be either left floating or terminated with 100Ω across. If they are left floating, we recommend that there is no trace attached.

Crystal Input Interface

The 844S42I has been characterized with 18pF parallel resonant crystals. The capacitor values, C1 and C2, shown in *Figure 2* below were determined using an 18pF parallel resonant crystal and were chosen to minimize the ppm error. These same capacitor values will

tune any 18pF parallel resonant crystal over the frequency range and other parameters specified in this data sheet. The optimum C1 and C2 values can be slightly adjusted for different board layouts.

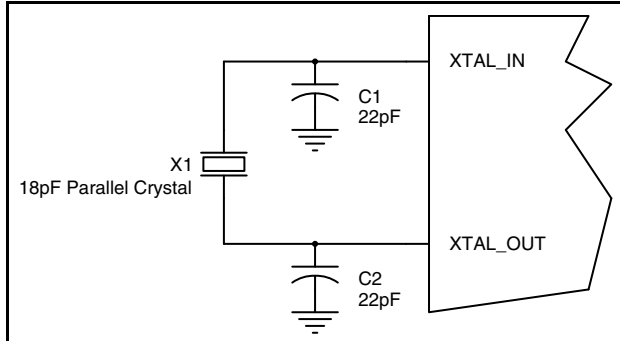


Figure 2. Crystal Input Interface

Overdriving the XTAL Interface

The XTAL_IN input can accept a single-ended LVCMOS signal through an AC coupling capacitor. A general interface diagram is shown in *Figure 3A*. The XTAL_OUT pin can be left floating. The maximum amplitude of the input signal should not exceed 2V and the input edge rate can be as slow as 10ns. This configuration requires that the output impedance of the driver (R_o) plus the series resistance (R_s) equals the transmission line impedance. In addition,

matched termination at the crystal input will attenuate the signal in half. This can be done in one of two ways. First, R1 and R2 in parallel should equal the transmission line impedance. For most 50Ω applications, R1 and R2 can be 100Ω. This can also be accomplished by removing R1 and making R2 50Ω. By overdriving the crystal oscillator, the device will be functional, but note, the device performance is guaranteed by using a quartz crystal.

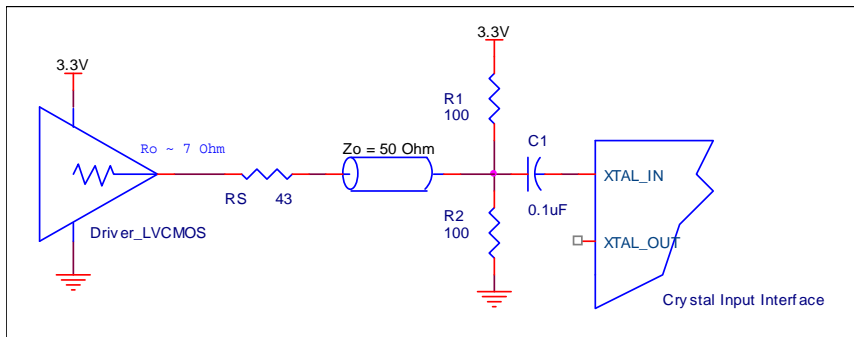


Figure 3A. General Diagram for LVCMOS Driver to XTAL Input Interface

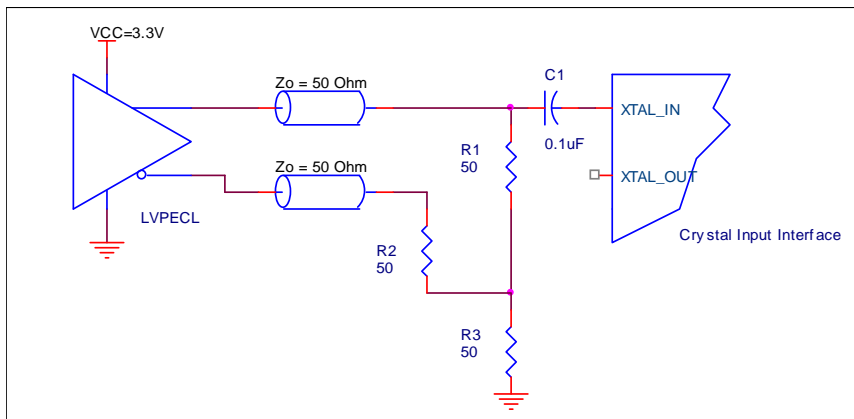


Figure 3B. General Diagram for LVPECL Driver to XTAL Input Interface

VFQFN EPAD Thermal Release Path

In order to maximize both the removal of heat from the package and the electrical performance, a land pattern must be incorporated on the Printed Circuit Board (PCB) within the footprint of the package corresponding to the exposed metal pad or exposed heat slug on the package, as shown in *Figure 4*. The solderable area on the PCB, as defined by the solder mask, should be at least the same size/shape as the exposed pad/slug area on the package to maximize the thermal/electrical performance. Sufficient clearance should be designed on the PCB between the outer edges of the land pattern and the inner edges of pad pattern for the leads to avoid any shorts.

While the land pattern on the PCB provides a means of heat transfer and electrical grounding from the package to the board through a solder joint, thermal vias are necessary to effectively conduct from the surface of the PCB to the ground plane(s). The land pattern must be connected to ground through these vias. The vias act as "heat pipes". The number of vias (i.e. "heat pipes") are application specific

and dependent upon the package power dissipation as well as electrical conductivity requirements. Thus, thermal and electrical analysis and/or testing are recommended to determine the minimum number needed. Maximum thermal and electrical performance is achieved when an array of vias is incorporated in the land pattern. It is recommended to use as many vias connected to ground as possible. It is also recommended that the via diameter should be 12 to 13mils (0.30 to 0.33mm) with 1oz copper via barrel plating. This is desirable to avoid any solder wicking inside the via during the soldering process which may result in voids in solder between the exposed pad/slug and the thermal land. Precautions should be taken to eliminate any solder voids between the exposed heat slug and the land pattern. Note: These recommendations are to be used as a guideline only. For further information, please refer to the Application Note on the Surface Mount Assembly of Amkor's Thermally/Electrically Enhance Leadframe Base Package, Amkor Technology.

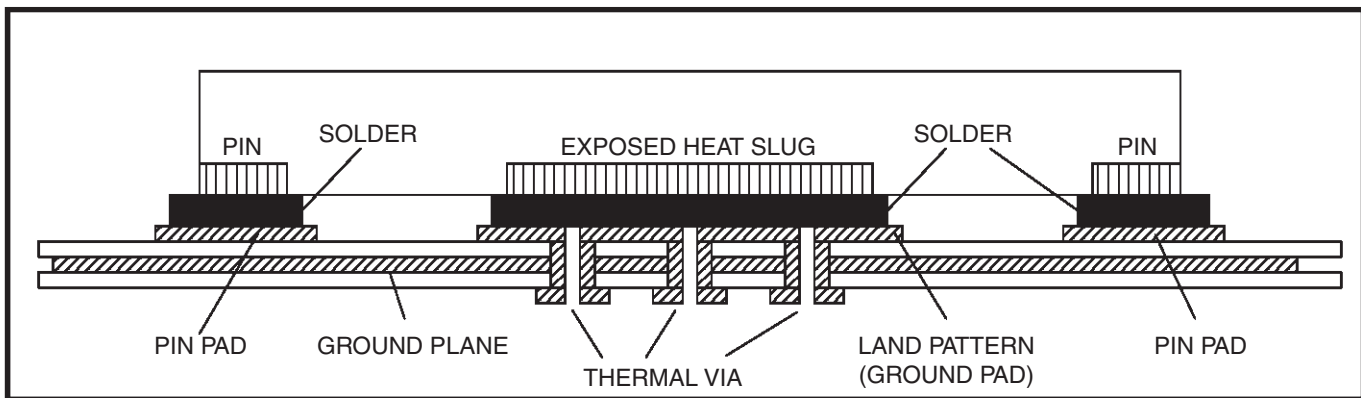


Figure 4. P.C. Assembly for Exposed Pad Thermal Release Path – Side View (drawing not to scale)

3.3V LVDS Driver Termination

For a general LVDS interface, the recommended value for the termination impedance (Z_T) is between 90Ω and 132Ω . The actual value should be selected to match the differential impedance (Z_0) of your transmission line. A typical point-to-point LVDS design uses a 100Ω parallel resistor at the receiver and a 100Ω differential transmission-line environment. In order to avoid any transmission-line reflection issues, the components should be surface mounted and must be placed as close to the receiver as possible. IDT offers a full line of LVDS compliant devices with two types of output structures: current source and voltage source. The

standard termination schematic as shown in *Figure 5A* can be used with either type of output structure. *Figure 5B*, which can also be used with both output types, is an optional termination with center tap capacitance to help filter common mode noise. The capacitor value should be approximately 50pF . If using a non-standard termination, it is recommended to contact IDT and confirm if the output structure is current source or voltage source type. In addition, since these outputs are LVDS compatible, the input receiver's amplitude and common-mode input range should be verified for compatibility with the output.

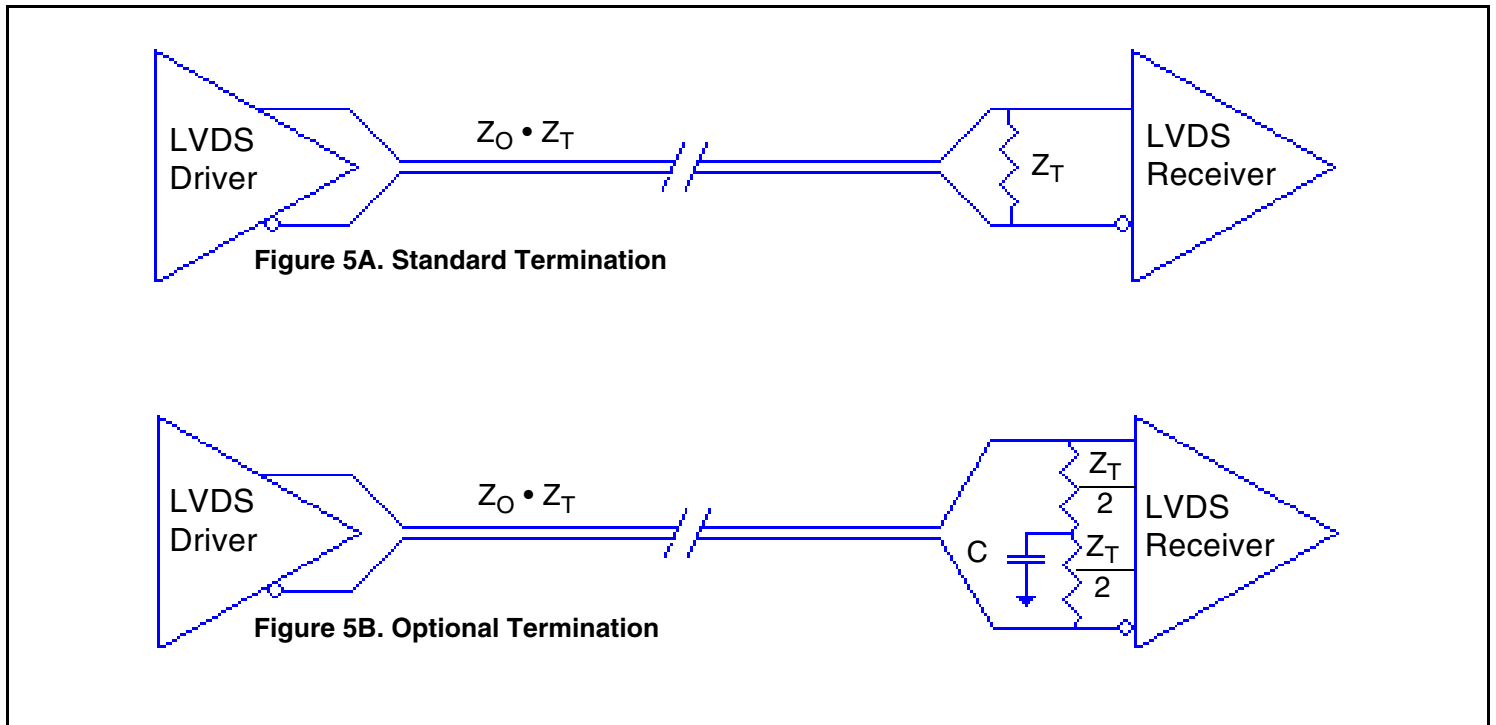


Figure 5. Typical LVDS Driver Termination

Termination for 3.3V LVPECL Outputs

The clock layout topology shown below is a typical termination for LVPECL outputs. The two different layouts mentioned are recommended only as guidelines. The differential outputs are low impedance follower outputs that generate ECL/LVPECL compatible outputs. Therefore, terminating resistors (DC current path to ground) or current sources must be used for functionality. These outputs are designed to drive 50Ω

transmission lines. Matched impedance techniques should be used to maximize operating frequency and minimize signal distortion. *Figures 6A and 6B* show two different layouts which are recommended only as guidelines. Other suitable clock layouts may exist and it would be recommended that the board designers simulate to guarantee compatibility across all printed circuit and clock component process variations.

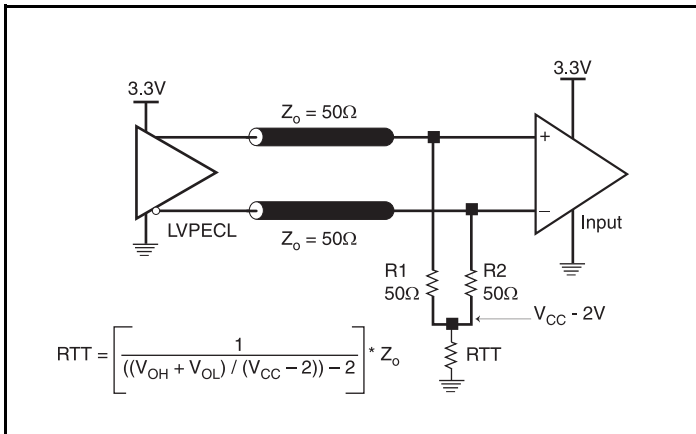


Figure 6A. 3.3V LVPECL Output Termination

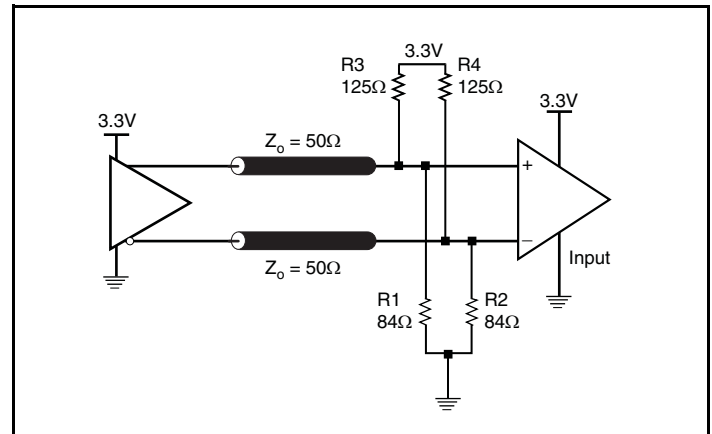


Figure 6B. 3.3V LVPECL Output Termination

Schematic Example

Figure 7 shows an example of 844S42I application schematic. In this example, the device is operated at $V_{DD} = V_{DDOA} = V_{DDOB} = 3.3V$. The 18pF parallel resonant 16MHz crystal is used. The C1 and C2 = 22pF and are recommended for frequency accuracy. For differential board layouts, the C1 and C2 may be slightly adjusted for optimizing frequency accuracy. Two examples of LVPECL terminations and one example LVDS termination are shown in this schematic. Additional termination approaches are shown in the LVPECL Termination Application Note.

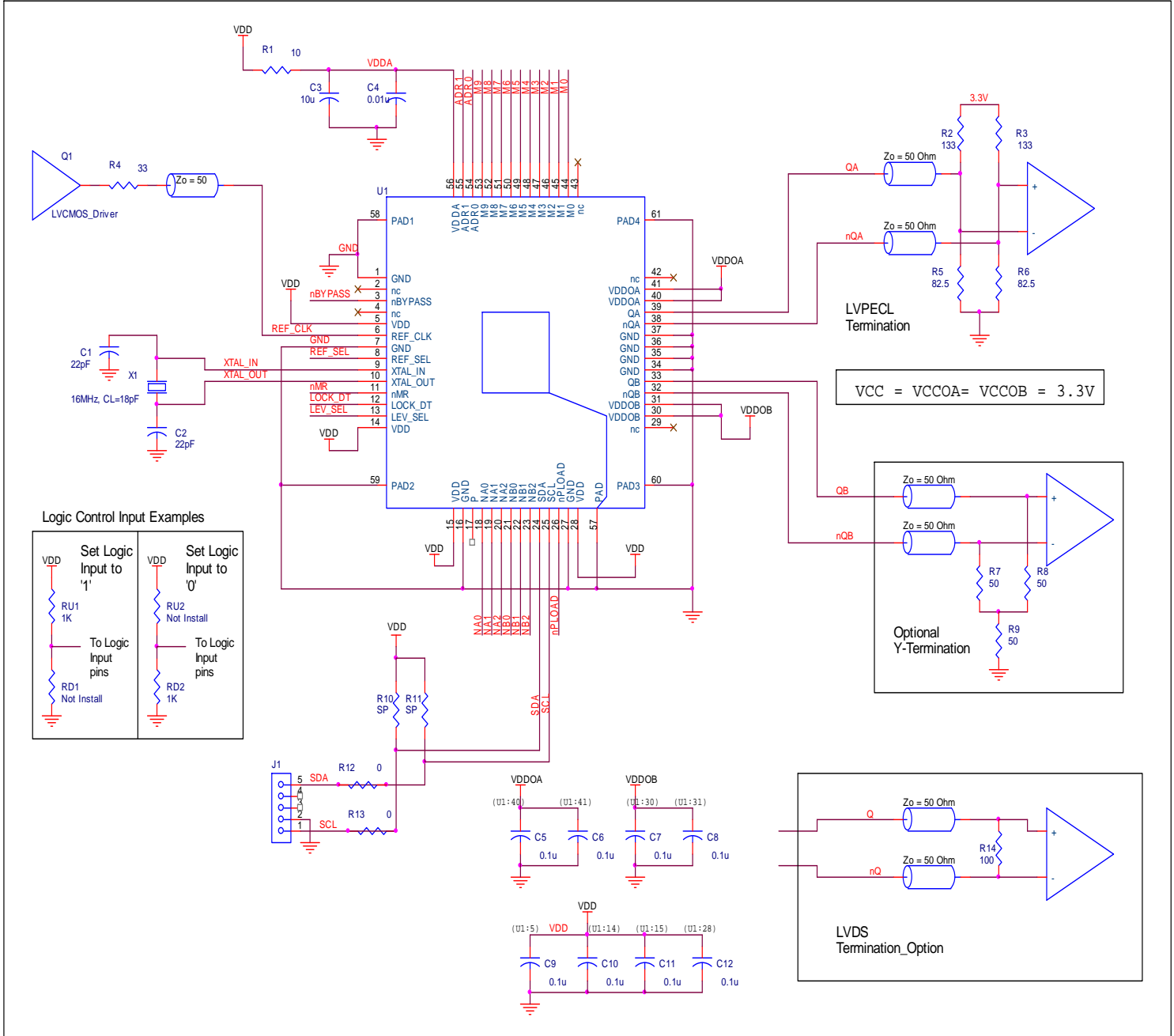


Figure 7. 844S42I Schematic Example

Power Considerations – LVPECL Outputs

This section provides information on power dissipation and junction temperature for the 844S42I, for all outputs that are configured to LVPECL (LEV_SEL = 1). Equations and example calculations are also provided.

1. Power Dissipation.

The total power dissipation for the 844S42I is the sum of the core power plus the power dissipated in the load(s). The following is the power dissipation for $V_{DD} = 3.3V + 5\% = 3.465V$, which gives worst case results.

NOTE: Please refer to Section 3 for details on calculating power dissipated in the load.

- Power (core)_{MAX} = $V_{DD_MAX} * I_{GND_MAX} = 3.465V * 260mA = \mathbf{900.9mW}$
- Power (outputs)_{MAX} = **36mW/Loaded Output pair**
If all outputs are loaded, the total power is $2 * 36mW = \mathbf{72mW}$

Total Power_{MAX} (3.465V, with all outputs switching) = $800.9mW + 72mW = \mathbf{972.9mW}$

2. Junction Temperature.

Junction temperature, T_j , is the temperature at the junction of the bond wire and bond pad directly affects the reliability of the device. The maximum recommended junction temperature is 125°C. Limiting the internal transistor junction temperature, T_j , to 125°C ensures that the bond wire and bond pad temperature remains below 125°C.

The equation for T_j is as follows: $T_j = \theta_{JA} * Pd_total + T_A$

T_j = Junction Temperature

θ_{JA} = Junction-to-Ambient Thermal Resistance

Pd_total = Total Device Power Dissipation (example calculation is in section 1 above)

T_A = Ambient Temperature

In order to calculate junction temperature, the appropriate junction-to-ambient thermal resistance θ_{JA} must be used. Assuming no air flow and a multi-layer board, the appropriate value is 31.4°C/W per Table 7A below.

Therefore, T_j for an ambient temperature of 85°C with all outputs switching is:

$$85^\circ\text{C} + 0.973\text{W} * 31.4^\circ\text{C/W} = 115.6^\circ\text{C}. \text{ This is below the limit of } 125^\circ\text{C}.$$

This calculation is only an example. T_j will obviously vary depending on the number of loaded outputs, supply voltage, air flow and the type of board (multi-layer).

Table 7A. Thermal Resistance θ_{JA} for 56 Lead VFQFN Forced Convection

Meters per Second	θ_{JA} by Velocity		
	0	1	2.5
Multi-Layer PCB, JEDEC Standard Test Boards	31.4°C/W	27.5°C/W	24.6°C/W

3. Calculations and Equations.

The purpose of this section is to calculate the power dissipation for the LVPECL output pairs.

LVPECL output driver circuit and termination are shown in *Figure 8*.

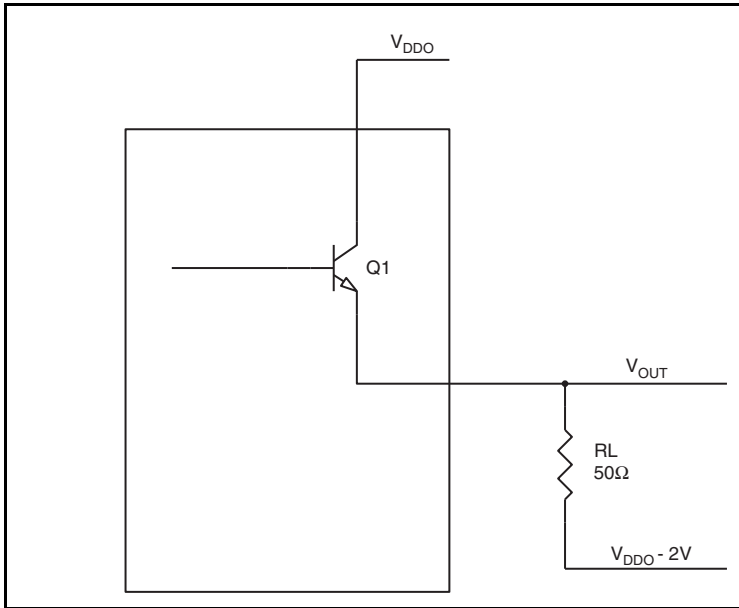


Figure 8. LVPECL Driver Circuit and Termination

To calculate worst case power dissipation into the load, use the following equations which assume a 50Ω load, and a termination voltage of $V_{DDO} - 2V$.

- For logic high, $V_{OUT} = V_{OH_MAX} = V_{DDO_MAX} - 0.8V$
 $(V_{DDO_MAX} - V_{OH_MAX}) = 0.8V$
- For logic low, $V_{OUT} = V_{OL_MAX} = V_{DDO_MAX} - 1.4V$
 $(V_{DDO_MAX} - V_{OL_MAX}) = 1.4V$

Pd_H is power dissipation when the output drives high.

Pd_L is the power dissipation when the output drives low.

$$Pd_H = [(V_{OH_MAX} - (V_{DDO_MAX} - 2V)) / R_L] * (V_{DDO_MAX} - V_{OH_MAX}) = [(2V - (V_{DDO_MAX} - V_{OH_MAX})) / R_L] * (V_{DDO_MAX} - V_{OH_MAX}) = [(2V - 0.8V) / 50\Omega] * 0.8V = \mathbf{19.2mW}$$

$$Pd_L = [(V_{OL_MAX} - (V_{DDO_MAX} - 2V)) / R_L] * (V_{DDO_MAX} - V_{OL_MAX}) = [(2V - (V_{DDO_MAX} - V_{OL_MAX})) / R_L] * (V_{DDO_MAX} - V_{OL_MAX}) = [(2V - 1.4V) / 50\Omega] * 1.4V = \mathbf{16.8mW}$$

$$\text{Total Power Dissipation per output pair} = Pd_H + Pd_L = \mathbf{36mW}$$

Power Considerations – LVDS Outputs

This section provides information on power dissipation and junction temperature for the 844S42I for all outputs that are configured to LVDS (LEV_SEL = 0). Equations and example calculations are also provided.

1. Power Dissipation.

The total power dissipation for the 844S42I is the sum of the core power plus the analog power plus the power dissipated in the load(s). The following is the power dissipation for $V_{DD} = 3.3V + 5\% = 3.465V$, which gives worst case results.

The maximum current at 85°C is as follows:

$$I_{DD_MAX} = 185mA$$

$$I_{DDA_MAX} = 22mA$$

$$I_{DDO_MAX} = 50mA$$

- Power (core)_{MAX} = $V_{DD_MAX} * (I_{DD_MAX} + I_{DDA_MAX}) = 3.465V * (185mA + 22mA) = 717.255mW$
- Power (output)_{MAX} = $V_{DDO_MAX} * (I_{DDOA} + I_{DDOB}) = 3.465V * 50mA = 173.25mW$

$$\text{Total Power}_{MAX} = 717.255mW + 173.25mW = 890.505mW$$

2. Junction Temperature.

Junction temperature, T_j , is the temperature at the junction of the bond wire and bond pad directly affects the reliability of the device. The maximum recommended junction temperature is 125°C. Limiting the internal transistor junction temperature, T_j , to 125°C ensures that the bond wire and bond pad temperature remains below 125°C.

The equation for T_j is as follows: $T_j = \theta_{JA} * Pd_{total} + T_A$

T_j = Junction Temperature

θ_{JA} = Junction-to-Ambient Thermal Resistance

Pd_{total} = Total Device Power Dissipation (example calculation is in section 1 above)

T_A = Ambient Temperature

In order to calculate junction temperature, the appropriate junction-to-ambient thermal resistance θ_{JA} must be used. Assuming no air flow and a multi-layer board, the appropriate value is 31.4°C/W per Table 7B below.

Therefore, T_j for an ambient temperature of 85°C with all outputs switching is:

$$85^\circ C + 0.891W * 31.4^\circ C/W = 113^\circ C. \text{ This is well below the limit of } 125^\circ C.$$

This calculation is only an example. T_j will obviously vary depending on the number of loaded outputs, supply voltage, air flow and the type of board (multi-layer).

Table 7B. Thermal Resistance θ_{JA} for 56 Lead VFQFN, Forced Convection

θ_{JA} by Velocity			
Meters per Second	0	1	2.5
Multi-Layer PCB, JEDEC Standard Test Boards	31.4°C/W	27.5°C/W	24.6°C/W

Reliability Information

Table 8. θ_{JA} vs. Air Flow Table for a 56 Lead VFQFN

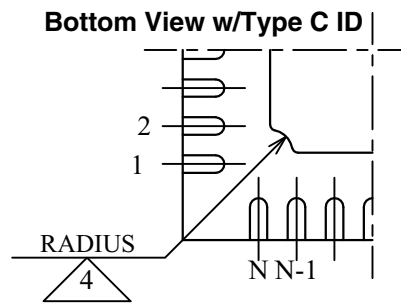
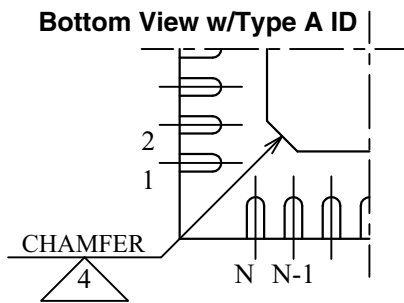
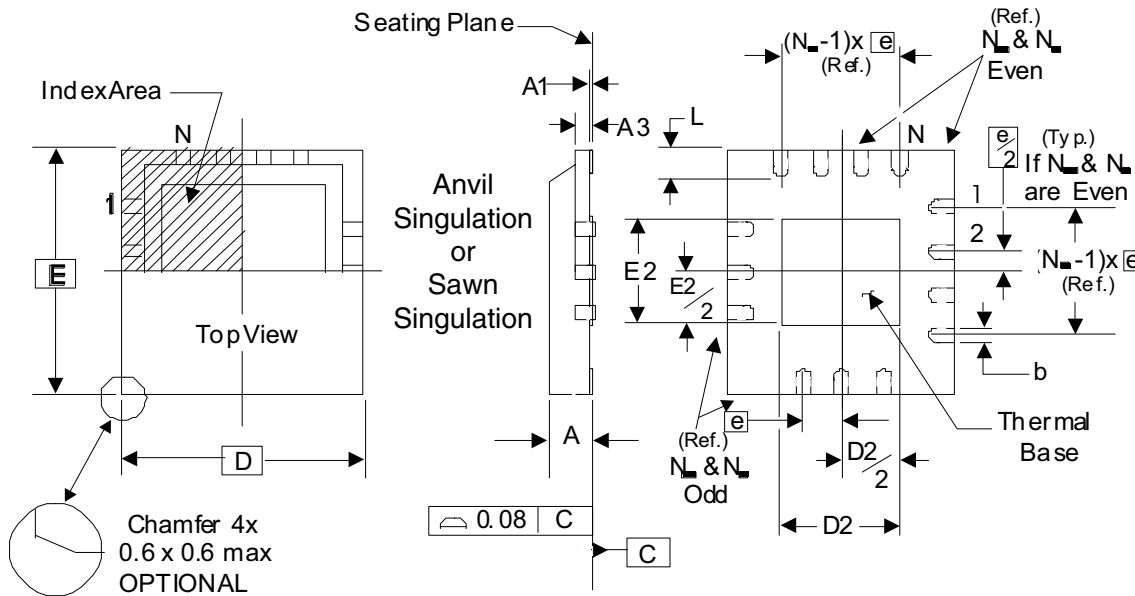
θ_{JA} vs. Air Flow			
Meters per Second	0	1	2.5
Multi-Layer PCB, JEDEC Standard Test Boards	31.4°C/W	27.5°C/W	24.6°C/W

Transistor Count

The transistor count for 844S42I is: 10,263

Package Outline and Package Dimensions

Package Outline - K Suffix for 56 Lead VFQFN



There are 2 methods of indicating pin 1 corner at the back of the VFQFN package:

1. Type A: Chamfer on the paddle (near pin 1)
2. Type C: Mouse bite on the paddle (near pin 1)

Table 9. Package Dimensions

SPEC NON_JEDEC: VLLD-2/-5 All Dimensions in Millimeters		
Symbol	Minimum	Maximum
N	56	
A	0.80	1.00
A1	0	0.05
A3	0.25 Ref.	
b	0.18	0.30
N_D & N_E	14	
D & E	8.00 Basic	
D2	4.35	4.65

SPEC NON_JEDEC: VLLD-2/-5 All Dimensions in Millimeters		
Symbol	Minimum	Maximum
E2	5.05	5.35
e	0.50 Basic	
L	0.30	0.50

Reference Document: JEDEC Publication 95, MO-220

NOTE: The following package mechanical drawing is a generic drawing that applies to any pin count VFQFN package. This drawing is not intended to convey the actual pin count or pin layout of this device. The pin count and pinout are shown on the front page. The package dimensions are in Table 9.

Ordering Information

Table 10. Ordering Information

Part/Order Number	Marking	Package	Shipping Packaging	Temperature
844S42BKILF	ICS844S42BKIL	"Lead-Free" 56 Lead VFQFN	Tray	-40°C to +85°C
844S42BKILFT	ICS844S42BKIL	"Lead-Free" 56 Lead VFQFN	Tape & Reel	-40°C to +85°C

Revision History

Revision Date	Description of Change
April 28, 2016	<ul style="list-style-type: none">▪ Removed ICS from part numbers where needed.▪ Ordering Information - Remove quantity from Tape and Reel. Deleted LF note below table.▪ Update data sheet headers and footers.



Corporate Headquarters
6024 Silver Creek Valley Road
San Jose, CA 95138 USA
www.IDT.com

Sales
1-800-345-7015 or 408-284-8200
Fax: 408-284-2775
www.IDT.com/go/sales

Tech Support
www.idt.com/go/support

DISCLAIMER Integrated Device Technology, Inc. (IDT) reserves the right to modify the products and/or specifications described herein at any time, without notice, at IDT's sole discretion. Performance specifications and operating parameters of the described products are determined in an independent state and are not guaranteed to perform the same way when installed in customer products. The information contained herein is provided without representation or warranty of any kind, whether express or implied, including, but not limited to, the suitability of IDT's products for any particular purpose, an implied warranty of merchantability, or non-infringement of the intellectual property rights of others. This document is presented only as a guide and does not convey any license under intellectual property rights of IDT or any third parties.

IDT's products are not intended for use in applications involving extreme environmental conditions or in life support systems or similar devices where the failure or malfunction of an IDT product can be reasonably expected to significantly affect the health or safety of users. Anyone using an IDT product in such a manner does so at their own risk, absent an express, written agreement by IDT.

Integrated Device Technology, IDT and the IDT logo are trademarks or registered trademarks of IDT and its subsidiaries in the United States and other countries. Other trademarks used herein are the property of IDT or their respective third party owners.

For datasheet type definitions and a glossary of common terms, visit www.idt.com/go/glossary.

Copyright ©2016 Integrated Device Technology, Inc. All rights reserved.