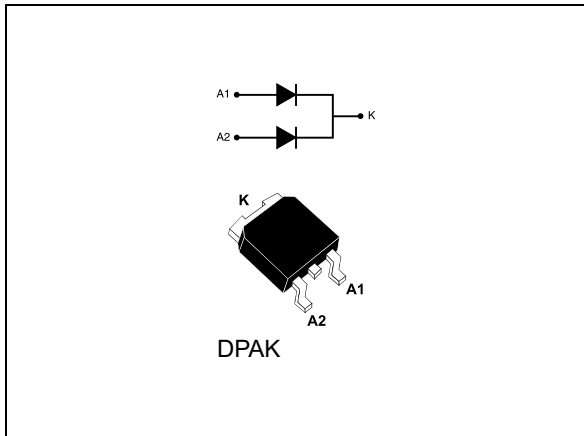


## Automotive low drop power Schottky rectifier

Datasheet - production data



### Description

Dual center tab Schottky rectifier suited for Switch Mode Power Supply and high frequency DC to DC converters.

Package in DPAK, this device is intended for use in low voltage, high frequency inverters, free-wheeling and polarity protection for automotive application.

### Features

- Very small conduction losses
- Negligible switching losses
- Extremely fast switching
- Low forward voltage drop
- Avalanche capability specified
- AEC-Q101 qualified

Table 1. Device summary

Symbol	Value
$I_{F(AV)}$	2 x 7.5 A
$V_{RRM}$	45 V
$T_j$ (max.)	150 °C
$V_f$ (max.)	0.46 V

# 1 Characteristics

**Table 2. Absolute Ratings (limiting values)**

Symbol	Parameter		Value	Unit	
V <sub>R</sub> RM	Repetitive peak reverse voltage		45	V	
I <sub>F</sub> (RMS)	Forward rms voltage		10	A	
I <sub>F</sub> (AV)	Average forward current	T <sub>c</sub> = 140 °C	Per diode	7.5	A
		δ = 0.5	Per device	15	
I <sub>F</sub> SM	Surge non repetitive forward current	t <sub>p</sub> = 10 ms sinusoidal	75	A	
I <sub>R</sub> RM	Peak repetitive reverse current	t <sub>p</sub> = 2 μs square F = 1 kHz	1	A	
P <sub>ARM</sub>	Repetitive peak avalanche power	t <sub>p</sub> = 10 μs T <sub>j</sub> = 125 °C	266	W	
T <sub>stg</sub>	Storage temperature range		-65 to +175	°C	
T <sub>j</sub>	Maximum operating junction temperature range <sup>(1)</sup>		-40 to +150	°C	
dV/dt	Critical rate of rise of reverse voltage		10000	V/μs	

1.  $\frac{dP_{tot}}{dT_j} < \frac{1}{R_{th(j-a)}}$  condition to avoid thermal runaway for a diode on its own heatsink

**Table 3. Thermal resistance**

Symbol	Parameter		Value	Unit
R <sub>th(j-c)</sub>	Junction to case	Per diode	4	°C/W
		Total	2.4	
R <sub>th(c)</sub>	Coupling		0.7	

When the diodes 1 and 2 are used simultaneously:

$$\Delta T_j(\text{diode 1}) = P(\text{diode 1}) \times R_{th(j-c)}(\text{Per diode}) + P(\text{diode 2}) \times R_{th(c)}$$

**Table 4. Static electrical characteristics**

Symbol	Parameter	Test conditions	Min.	Typ.	Max.	Unit
I <sub>R</sub> <sup>(1)</sup>	Reverse leakage current	T <sub>j</sub> = 25 °C	V <sub>R</sub> = V <sub>R</sub> RM	-	1	mA
		T <sub>j</sub> = 125 °C		-	23	45

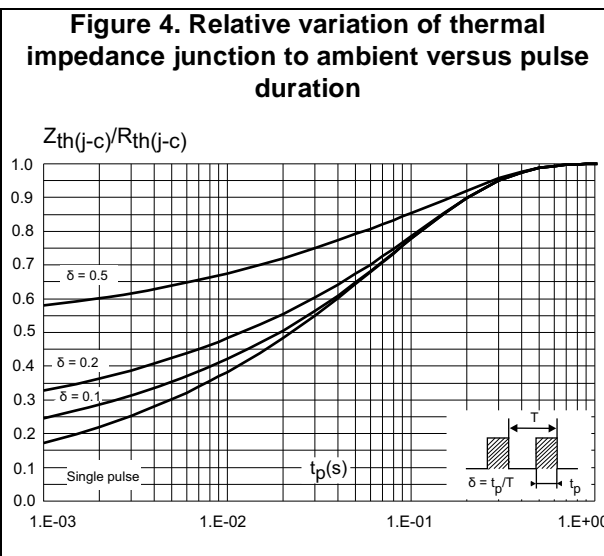
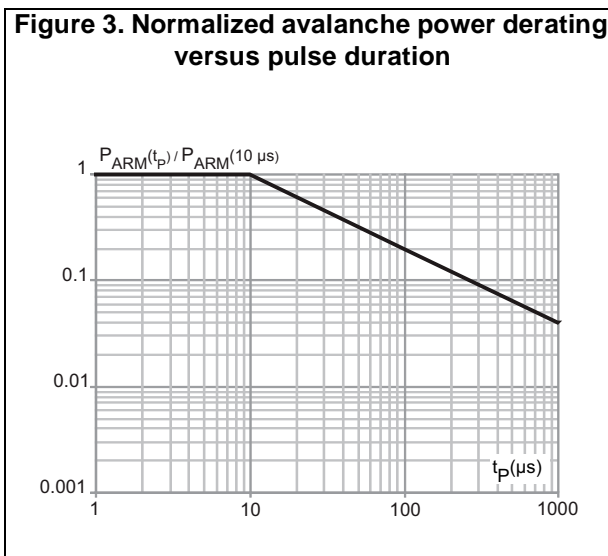
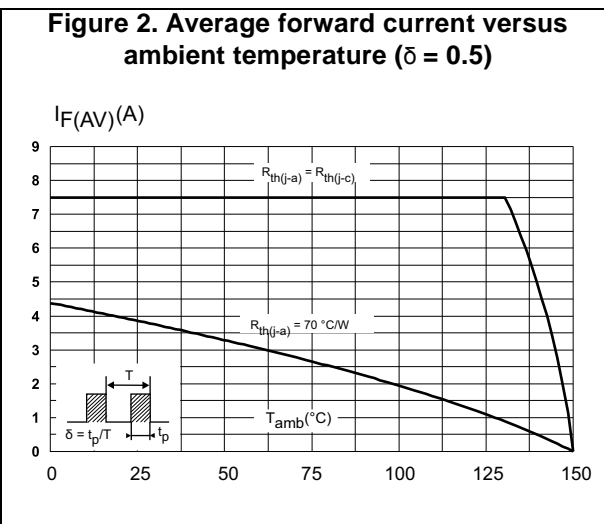
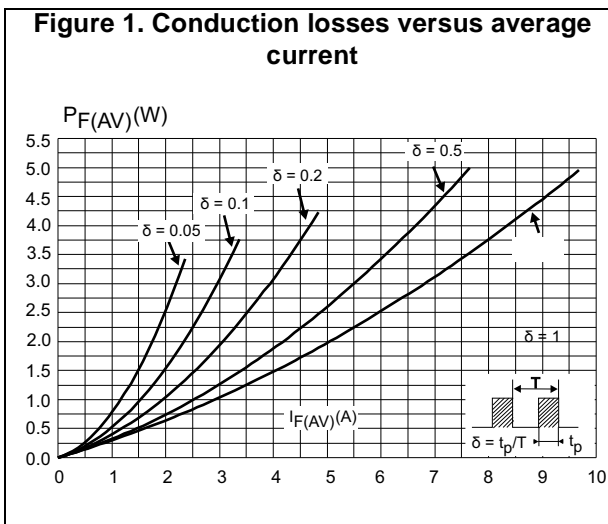
Table 4. Static electrical characteristics (continued)

Symbol	Parameter	Test conditions		Min.	Typ.	Max.	Unit
$V_F^{(1)}$	Forward voltage drop	$T_j = 25\text{ }^\circ\text{C}$	$I_F = 7.5\text{ A}$	-		0.52	V
		$T_j = 125\text{ }^\circ\text{C}$	$I_F = 7.5\text{ A}$	-	0.40	0.46	
		$T_j = 25\text{ }^\circ\text{C}$	$I_F = 12\text{ A}$	-		0.60	
		$T_j = 125\text{ }^\circ\text{C}$	$I_F = 12\text{ A}$	-	0.49	0.57	
		$T_j = 25\text{ }^\circ\text{C}$	$I_F = 15\text{ A}$	-		0.64	
		$T_j = 125\text{ }^\circ\text{C}$	$I_F = 15\text{ A}$	-	0.53	0.63	

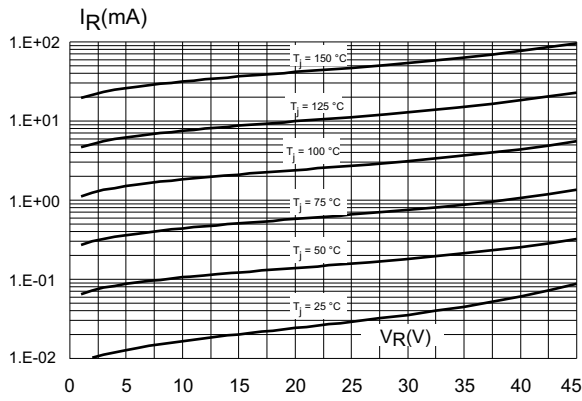
1. Pulse test:  $t_p = 380\text{ }\mu\text{s}$ ,  $\delta < 2\%$

To evaluate the conduction losses use the following equation:

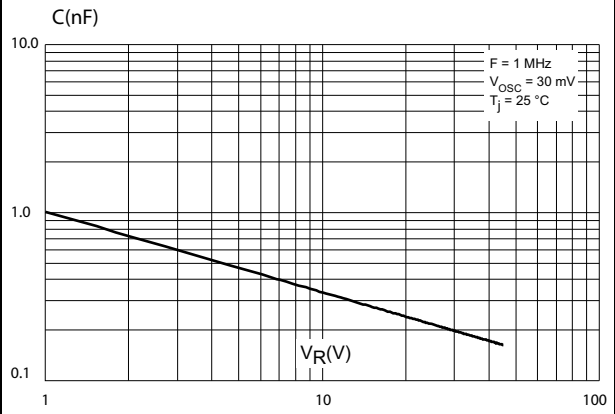
$$P = 0.29 \times I_{F(AV)} + 0.023 I_F^2(\text{RMS})$$



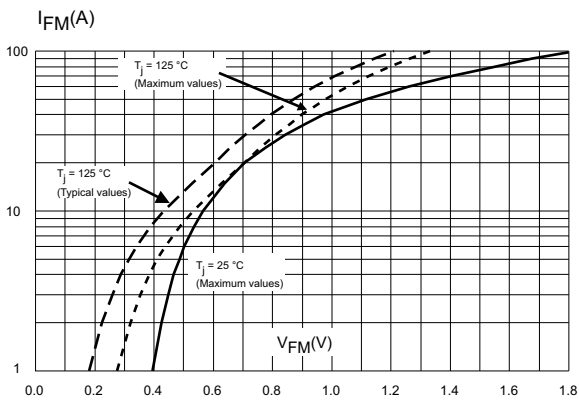
**Figure 5. Reverse leakage current versus reverse voltage applied (typical values)**



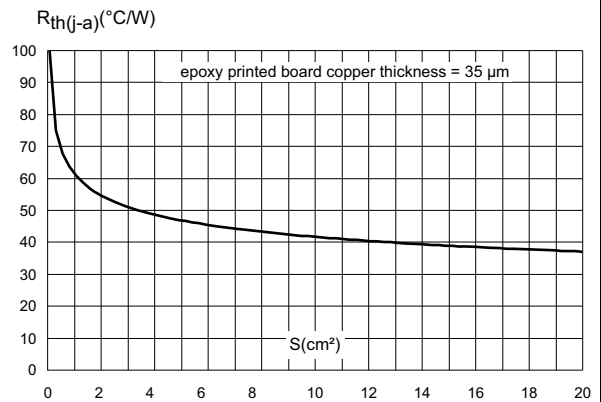
**Figure 6. Junction capacitance versus reverse voltage applied (typical values)**



**Figure 7. Forward voltage drop versus forward current**



**Figure 8. Thermal resistance junction to ambient versus copper surface under tab**



## 2 Package information

- Epoxy meets UL94, V0
- Lead-free packages

In order to meet environmental requirements, ST offers these devices in different grades of ECOPACK<sup>®</sup> packages, depending on their level of environmental compliance. ECOPACK<sup>®</sup> specifications, grade definitions and product status are available at: [www.st.com](http://www.st.com). ECOPACK<sup>®</sup> is an ST trademark.

### 2.1 DPAK package information

Figure 9. DPAK package outline

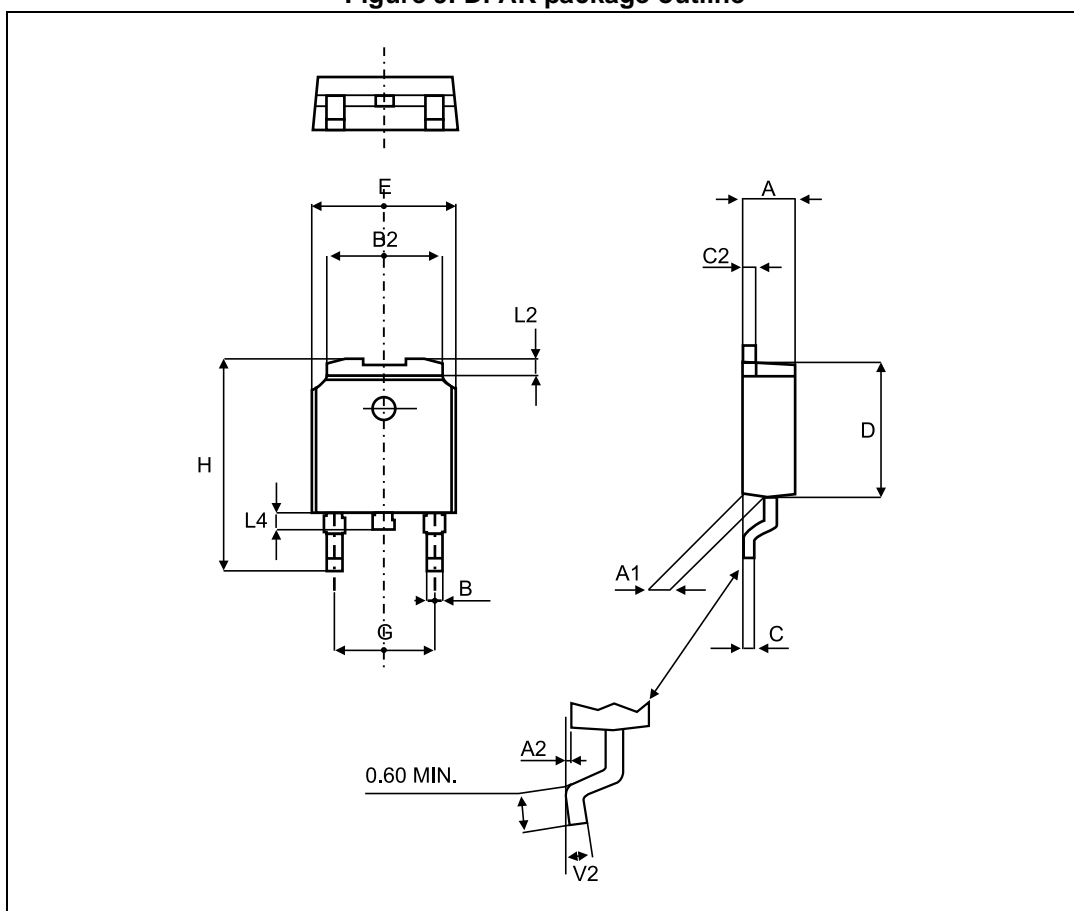
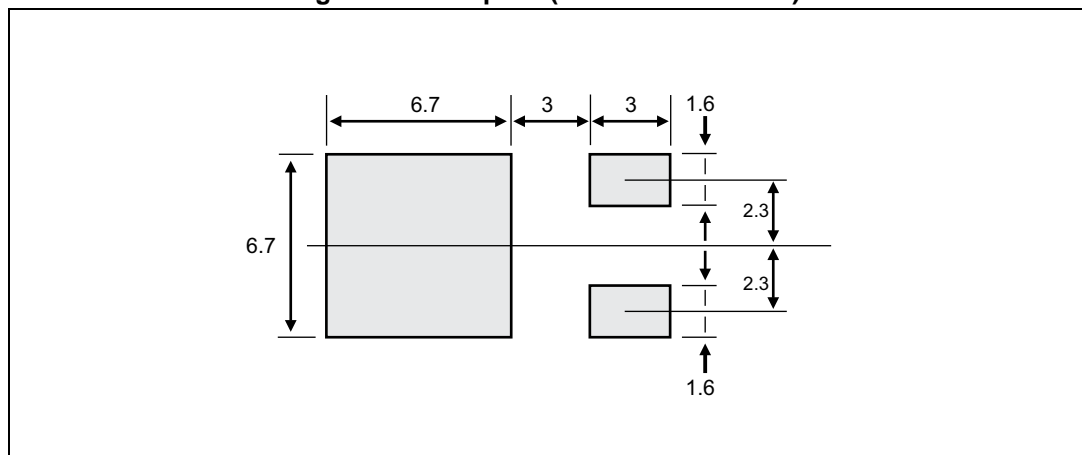


Table 5. DPAK package mechanical data

Ref.	Dimensions					
	Millimeters			Inches <sup>(1)</sup>		
	Typ.	Min.	Max.	Typ.	Min.	Max.
A		2.20	2.40		0.086	0.094
A1		0.90	1.10		0.035	0.043
A2		0.03	0.23		0.001	0.009
B		0.64	0.90		0.025	0.035
B2		5.20	5.40		0.204	0.212
C		0.45	0.60		0.017	0.023
C2		0.48	0.60		0.018	0.023
D		6.00	6.20		0.236	0.244
E		6.40	6.60		0.251	0.259
G		4.40	4.60		0.173	0.181
H		9.35	10.10		0.368	0.397
L2	0.80			0.031		
L4		0.60	1.00		0.023	0.039
V2		0°	8°		0°	8°

1. Values in inches are converted from mm and rounded to 4 decimal digits.

Figure 10. Footprint (dimensions in mm)



### 3 Ordering information

**Table 6. Ordering information**

Order code	Marking	Package	Weight	Base qty.	Delivery mode
STPS15L45CBY-TR	S15L45CY	DPAK	0.30 g	2500	Tape and reel

### 4 Revision history

**Table 7. Document revision history**

Date	Revision	Changes
10-Mar-2011	1	First issue.
07-Jul-2015	2	Updated <a href="#">Table 2</a> . Format updated to current standard.

**IMPORTANT NOTICE – PLEASE READ CAREFULLY**

STMicroelectronics NV and its subsidiaries ("ST") reserve the right to make changes, corrections, enhancements, modifications, and improvements to ST products and/or to this document at any time without notice. Purchasers should obtain the latest relevant information on ST products before placing orders. ST products are sold pursuant to ST's terms and conditions of sale in place at the time of order acknowledgement.

Purchasers are solely responsible for the choice, selection, and use of ST products and ST assumes no liability for application assistance or the design of Purchasers' products.

No license, express or implied, to any intellectual property right is granted by ST herein.

Resale of ST products with provisions different from the information set forth herein shall void any warranty granted by ST for such product.

ST and the ST logo are trademarks of ST. All other product or service names are the property of their respective owners.

Information in this document supersedes and replaces information previously supplied in any prior versions of this document.

© 2015 STMicroelectronics – All rights reserved