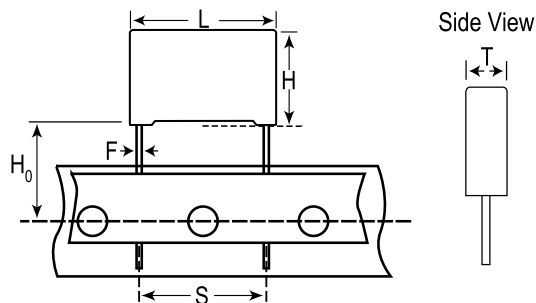


KEMET Part Number: MMK5334K63J02L16.5TR18
(F601JJ334K063L, MMK5334K63J02L16,5TR18)

Film, Metallized Polyester, Commercial Grade, MMK/F601, 0.33 uF, 10%, 63 V, 85C, Lead Spacing = 5mm



General Information	
Dielectric:	Metallized Polyester
Style:	Radial
Series:	MMK/F601
Features:	Pulse
RoHS:	Yes
Lead:	Wire Leads
Miscellaneous:	Not For New Design, Please Check Possible Alternative Parts (AltPart)

Dimensions	
L	7.2mm MAX
H	8mm MAX
T	3.5mm MAX
S	5mm +/-0.4mm
H0	16mm NOM
F	0.5mm NOM

Specifications	
Capacitance:	0.33 uF
Capacitance Tolerance:	10%
Voltage DC:	63 VDC, 48.8 VDC (100C)
Voltage AC:	40 VAC
Temperature Range:	-55/+100C
Rated Temperature:	85C
Dissipation Factor:	0.8% 1kHz, 1.2% 10kHz, 3% 100kHz
Insulation Resistance:	15 GOhms
Max dVdt:	25 V
Inductance:	6 nH

Packaging Specifications	
Packaging:	T&R
Packaging Quantity:	2000