



General Description

The ICS844246D is a Crystal-to-LVDS Clock Synthesizer/Fanout Buffer designed for Fibre Channel frequencies and Gigabit Ethernet applications. The output frequency can be set using the frequency select pins and a 25MHz crystal for Ethernet frequencies, or a 26.5625MHz crystal for a Fibre Channel. The low phase noise characteristics of the ICS844246D make it an ideal clock for these demanding applications.

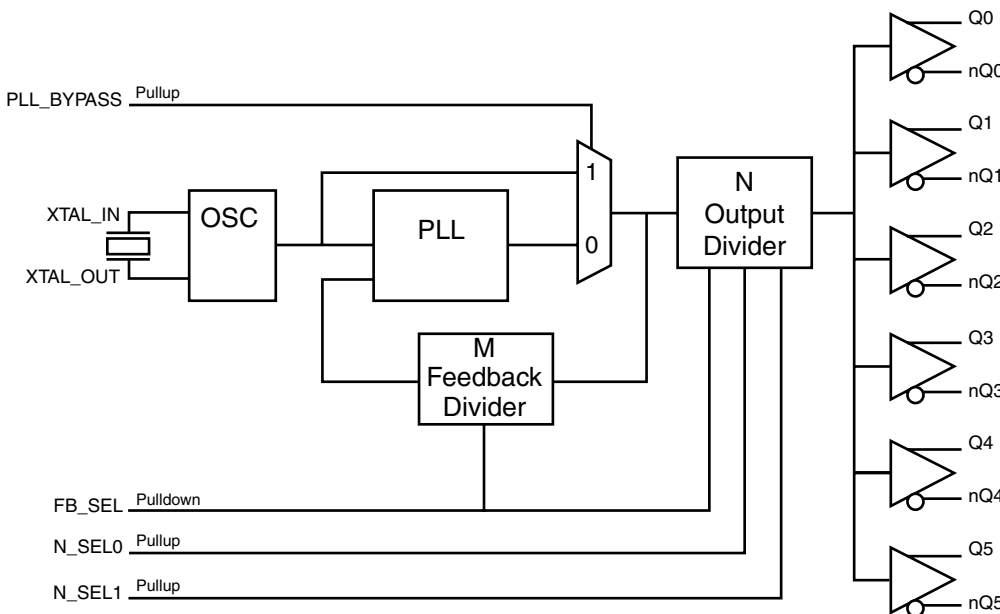
Features

- Six LVDS output pairs
- Crystal oscillator interface
- Output frequency range: 50MHz to 333.3333MHz
- Crystal input frequency range: 25MHz to 33.3333MHz
- RMS phase jitter @ 125MHz, using a 25MHz crystal (1.875MHz - 20MHz): 0.416ps (typical)
- Full 3.3V or mixed 3.3V core, 2.5V output supply modes
- 0°C to 70°C ambient operating temperature
- Available in lead-free (RoHS 6) package

Select Function Table

| Inputs | | | Function | | |
|--------|--------|--------|----------|----------|---------------|
| FB_SEL | N_SEL1 | N_SEL0 | M Divide | N Divide | M/N |
| 0 | 0 | 0 | 20 | 2 | 10 |
| 0 | 0 | 1 | 20 | 4 | 5 |
| 0 | 1 | 0 | 20 | 5 | 4 |
| 0 | 1 | 1 | 20 | 8 | 2.5 (default) |
| 1 | 0 | 0 | 24 | 3 | 8 |
| 1 | 0 | 1 | 24 | 4 | 6 |
| 1 | 1 | 0 | 24 | 6 | 4 |
| 1 | 1 | 1 | 24 | 12 | 2 |

Block Diagram



Pin Assignment

| | | | |
|------------|----|----|----------|
| VDD0 | 1 | 24 | Q3 |
| VDD0 | 2 | 23 | nQ3 |
| nQ2 | 3 | 22 | Q4 |
| Q2 | 4 | 21 | nQ4 |
| nQ1 | 5 | 20 | Q5 |
| Q1 | 6 | 19 | nQ5 |
| nQ0 | 7 | 18 | N_SEL1 |
| Q0 | 8 | 17 | GND |
| PLL_BYPASS | 9 | 16 | GND |
| VDDA | 10 | 15 | N_SEL0 |
| VDD | 11 | 14 | XTAL_OUT |
| FB_SEL | 12 | 13 | XTAL_IN |

ICS844246D
24-Lead TSSOP, E-Pad
4.4mm x 7.8mm x 0.925mm
package body
G Package
Top View

Table 1. Pin Descriptions

| Number | Name | Type | | Description |
|----------|----------------------|--------|----------|--|
| 1, 2 | V _{DDO} | Power | | Output supply pins. |
| 3, 4 | nQ2, Q2 | Output | | Differential output pair. LVDS interface levels. |
| 5, 6 | nQ1, Q1 | Output | | Differential output pair. LVDS interface levels. |
| 7, 8 | nQ0, Q0 | Output | | Differential output pair. LVDS interface levels. |
| 9 | PLL_BYPASS | Input | Pullup | Selects between the PLL and crystal inputs as the input to the dividers. When LOW, selects PLL. When HIGH, bypasses the PLL. LVCMOS / LVTTTL interface levels. |
| 10 | V _{DDA} | Power | | Analog supply pin. |
| 11 | V _{DD} | Power | | Core supply pin. |
| 12 | FB_SEL | Input | Pulldown | Feedback frequency select pin. LVCMOS/LVTTTL interface levels. |
| 13 14 | XTAL_IN, XTAL_OUT | Input | | Crystal oscillator interface. XTAL_IN is the input. XTAL_OUT is the output. |
| 15, 18 | N_SEL0, N_SEL1 | Input | Pullup | Output frequency select pin. LVCMOS/LVTTTL interface levels. |
| 16, 17 | GND | Power | | Power supply ground. |
| 19, 20 | nQ5, Q5 | Output | | Differential output pair. LVDS interface levels. |
| 21, 22 | nQ4, Q4 | Output | | Differential output pair. LVDS interface levels. |
| 23, 24 | nQ3, Q3 | Output | | Differential output pair. LVDS interface levels. |

NOTE: *Pullup* and *Pulldown* refer to internal input resistors. See Table 2, *Pin Characteristics*, for typical values.

Table 2. Pin Characteristics

| Symbol | Parameter | Test Conditions | Minimum | Typical | Maximum | Units |
|-----------------------|-------------------------|-----------------|---------|---------|---------|-------|
| C _{IN} | Input Capacitance | | | 4 | | pF |
| R _{PULLUP} | Input Pullup Resistor | | | 51 | | kΩ |
| R _{PULLDOWN} | Input Pulldown Resistor | | | 51 | | kΩ |

Function Tables

Table 3. Crystal Function Table

| Inputs | | | | Function | | | Output Frequency (MHz) |
|------------|--------|--------|--------|----------|-----------|----|------------------------|
| XTAL (MHz) | FB_SEL | N_SEL1 | N_SEL0 | M | VCO (MHz) | N | |
| 25 | 0 | 0 | 0 | 20 | 500 | 2 | 250 |
| 25 | 0 | 0 | 1 | 20 | 500 | 4 | 125 |
| 25 | 0 | 1 | 0 | 20 | 500 | 5 | 100 |
| 25 | 0 | 1 | 1 | 20 | 500 | 8 | 62.5 |
| 25 | 1 | 0 | 0 | 24 | 600 | 3 | 200 |
| 25 | 1 | 0 | 1 | 24 | 600 | 4 | 150 |
| 25 | 1 | 1 | 0 | 24 | 600 | 6 | 100 |
| 25 | 1 | 1 | 1 | 24 | 600 | 12 | 50 |
| 26.5625 | 0 | 1 | 0 | 20 | 531.25 | 5 | 106.25 |
| 26.5625 | 1 | 0 | 0 | 24 | 637.5 | 3 | 212.5 |
| 26.5625 | 1 | 0 | 1 | 24 | 637.5 | 4 | 159.375 |
| 26.5625 | 1 | 1 | 0 | 24 | 637.5 | 6 | 106.25 |
| 26.5625 | 1 | 1 | 1 | 24 | 637.5 | 12 | 53.125 |
| 30 | 0 | 0 | 0 | 20 | 600 | 2 | 300 |
| 30 | 0 | 0 | 1 | 20 | 600 | 4 | 150 |
| 30 | 0 | 1 | 0 | 20 | 600 | 5 | 120 |
| 30 | 0 | 1 | 1 | 20 | 600 | 8 | 75 |
| 31.25 | 0 | 0 | 0 | 20 | 625 | 2 | 312.5 |
| 31.25 | 0 | 0 | 1 | 20 | 625 | 4 | 156.25 |
| 31.25 | 0 | 1 | 0 | 20 | 625 | 5 | 125 |
| 31.25 | 0 | 1 | 1 | 20 | 625 | 8 | 78.125 |
| 33.3333 | 0 | 0 | 0 | 20 | 666.6667 | 2 | 333.3333 |
| 33.3333 | 0 | 0 | 1 | 20 | 666.6667 | 4 | 166.6667 |
| 33.3333 | 0 | 1 | 0 | 20 | 666.6667 | 5 | 133.3333 |
| 33.3333 | 0 | 1 | 1 | 20 | 666.6667 | 8 | 83.3333 |

Absolute Maximum Ratings

NOTE: Stresses beyond those listed under *Absolute Maximum Ratings* may cause permanent damage to the device. These ratings are stress specifications only. Functional operation of product at these conditions or any conditions beyond those listed in the *DC Characteristics* or *AC Characteristics* is not implied. Exposure to absolute maximum rating conditions for extended periods may affect product reliability.

| Item | Rating |
|--|--|
| Supply Voltage, V_{DD} | 4.6V |
| Inputs, V_I XTAL_IN Other Inputs | 0V to V_{DD} -0.5V to $V_{DD} + 0.5V$ |
| Outputs, I_O (LVDS) Continuous Current Surge Current | 10mA 15mA |
| Package Thermal Impedance, θ_{JA} | 32.1°C/W (0 mps) |
| Storage Temperature, T_{STG} | -65°C to 150°C |

DC Electrical Characteristics

Table 4A. LVDS Power Supply DC Characteristics, $V_{DD} = V_{DDO} = 3.3V \pm 5\%$, $T_A = 0^\circ C$ to $70^\circ C$

| Symbol | Parameter | Test Conditions | Minimum | Typical | Maximum | Units |
|-----------|-----------------------|-----------------|-----------------|---------|----------|-------|
| V_{DD} | Core Supply Voltage | | 3.135 | 3.3 | 3.465 | V |
| V_{DDA} | Analog Supply Voltage | | $V_{DD} - 0.10$ | 3.3 | V_{DD} | V |
| V_{DDO} | Output Supply Voltage | | 3.135 | 3.3 | 3.465 | V |
| I_{DD} | Power Supply Current | | | | 170 | mA |
| I_{DDA} | Analog Supply Current | | | | 10 | mA |
| I_{DDO} | Output Supply Current | | | | 100 | mA |

Table 4B. LVDS Power Supply DC Characteristics, $V_{DD} = 3.3V \pm 5\%$, $V_{DDO} = 2.5V \pm 5\%$, $T_A = 0^\circ C$ to $70^\circ C$

| Symbol | Parameter | Test Conditions | Minimum | Typical | Maximum | Units |
|-----------|-----------------------|-----------------|-----------------|---------|----------|-------|
| V_{DD} | Core Supply Voltage | | 3.135 | 3.3 | 3.465 | V |
| V_{DDA} | Analog Supply Voltage | | $V_{DD} - 0.10$ | 3.3 | V_{DD} | V |
| V_{DDO} | Output Supply Voltage | | 2.375 | 2.5 | 2.625 | V |
| I_{DD} | Power Supply Current | | | | 165 | mA |
| I_{DDA} | Analog Supply Current | | | | 10 | mA |
| I_{DDO} | Output Supply Current | | | | 98 | mA |

Table 4C. LVCMOS/LVTTL DC Characteristics, $V_{DD} = 3.3V \pm 5%$ $V_{DDO} = 3.3V \pm 5%$ or $2.5V \pm 5%$, $T_A = 0^\circ\text{C}$ to 70°C

| Symbol | Parameter | Test Conditions | Minimum | Typical | Maximum | Units |
|----------|--------------------|---------------------------|---|---------|----------------|---------------|
| V_{IH} | Input High Voltage | $V_{DD} = 3.465V$ | 2 | | $V_{DD} + 0.3$ | V |
| V_{IL} | Input Low Voltage | $V_{DD} = 3.465V$ | -0.3 | | 0.8 | V |
| I_{IH} | Input High Current | N_SEL[0:1], PLL_BYPASS | $V_{DD} = V_{IN} = 3.465V$ or $2.625V$ | | 5 | μA |
| | | FB_SEL | $V_{DD} = V_{IN} = 3.465V$ or $2.625V$ | | 150 | μA |
| I_{IL} | Input Low Current | N_SEL[0:1], PLL_BYPASS | $V_{DD} = 3.465V$ or $2.625V$, $V_{IN} = 0V$ | -150 | | μA |
| | | FB_SEL | $V_{DD} = 3.465V$ or $2.625V$, $V_{IN} = 0V$ | -5 | | μA |

Table 4D. LVDS DC Characteristics, $V_{DD} = V_{DDO} = 3.3V \pm 5%$, $T_A = 0^\circ\text{C}$ to 70°C

| Symbol | Parameter | Test Conditions | Minimum | Typical | Maximum | Units |
|-----------------|-----------------------------|-----------------|---------|---------|---------|-------|
| V_{OD} | Differential Output Voltage | | 247 | | 454 | mV |
| ΔV_{OD} | V_{OD} Magnitude Change | | | | 100 | mV |
| V_{OS} | Offset Voltage | | 1.10 | | 1.50 | V |
| ΔV_{OS} | V_{OS} Magnitude Change | | | | 120 | mV |

Table 4E. LVDS DC Characteristics, $V_{DD} = 3.3V \pm 5%$, $V_{DDO} = 2.5V \pm 5%$, $T_A = 0^\circ\text{C}$ to 70°C

| Symbol | Parameter | Test Conditions | Minimum | Typical | Maximum | Units |
|-----------------|-----------------------------|-----------------|---------|---------|---------|-------|
| V_{OD} | Differential Output Voltage | | 247 | | 454 | mV |
| ΔV_{OD} | V_{OD} Magnitude Change | | | | 100 | mV |
| V_{OS} | Offset Voltage | | 1.10 | | 1.50 | V |
| ΔV_{OS} | V_{OS} Magnitude Change | | | | 120 | mV |

Table 5. Crystal Characteristics

| Parameter | Test Conditions | Minimum | Typical | Maximum | Units |
|------------------------------------|-----------------|-------------|---------|---------|----------|
| Mode of Oscillation | | Fundamental | | | |
| Frequency | | 25 | | 33.333 | MHz |
| Equivalent Series Resistance (ESR) | | | | 50 | Ω |
| Shunt Capacitance | | | | 7 | pF |

NOTE: Characterized using an 18pF parallel resonant crystal.

AC Electrical Characteristics

Table 6A. LVDS AC Characteristics, $V_{DD} = V_{DDO} = 3.3V \pm 5\%$, $T_A = 0^\circ\text{C}$ to 70°C

| Symbol | Parameter | Test Conditions | Minimum | Typical | Maximum | Units |
|----------------------|-----------------------------------|--|---------|---------|---------|-------|
| f_{OUT} | Output Frequency | PLL_BYPASS = 0 | 50 | | 333.33 | MHz |
| | | 25MHz crystal, PLL_BYPASS = 1 (default) | | 3.125 | | MHz |
| $f_{jit}(\emptyset)$ | RMS Phase Jitter (Random); NOTE 1 | 125MHz, Integration Range: 1.875MHz – 20MHz | | 0.416 | 0.56 | ps |
| $tsk(o)$ | Output Skew; NOTE 2, 3 | | | | 45 | ps |
| t_R / t_F | Output Rise/Fall Time | 20% to 80% | 220 | | 380 | ps |
| odc | Output Duty Cycle | | 45 | | 55 | % |
| t_{LOCK} | PLL Lock Time | | | | 25 | ms |

NOTE: Electrical parameters are guaranteed over the specified ambient operating temperature range, which is established when the device is mounted in a test socket with maintained transverse airflow greater than 500 lpm. The device will meet specifications after thermal equilibrium has been reached under these conditions.

NOTE 1: See Phase Noise Plot.

NOTE 2: Defined as skew between outputs at the same supply voltage and with equal load conditions. Measured at the output differential crossing points.

NOTE 3: This parameter is defined in accordance with JEDEC Standard 65.

Table 6B. LVDS AC Characteristics, $V_{DD} = 3.3V \pm 5\%$, $V_{DDO} = 2.5V \pm 5\%$, $T_A = 0^\circ\text{C}$ to 70°C

| Symbol | Parameter | Test Conditions | Minimum | Typical | Maximum | Units |
|----------------------|-----------------------------------|--|---------|---------|---------|-------|
| f_{OUT} | Output Frequency | PLL_BYPASS = 0 | 50 | | 333.33 | MHz |
| | | 25MHz crystal, PLL_BYPASS = 1 (default) | | 3.125 | | MHz |
| $f_{jit}(\emptyset)$ | RMS Phase Jitter (Random); NOTE 1 | 125MHz, Integration Range: 1.875MHz – 20MHz | | 0.416 | 0.56 | ps |
| $tsk(o)$ | Output Skew; NOTE 2, 3 | | | | 45 | ps |
| t_R / t_F | Output Rise/Fall Time | 20% to 80% | 220 | | 380 | ps |
| odc | Output Duty Cycle | | 45 | | 55 | % |
| t_{LOCK} | PLL Lock Time | | | | 25 | ms |

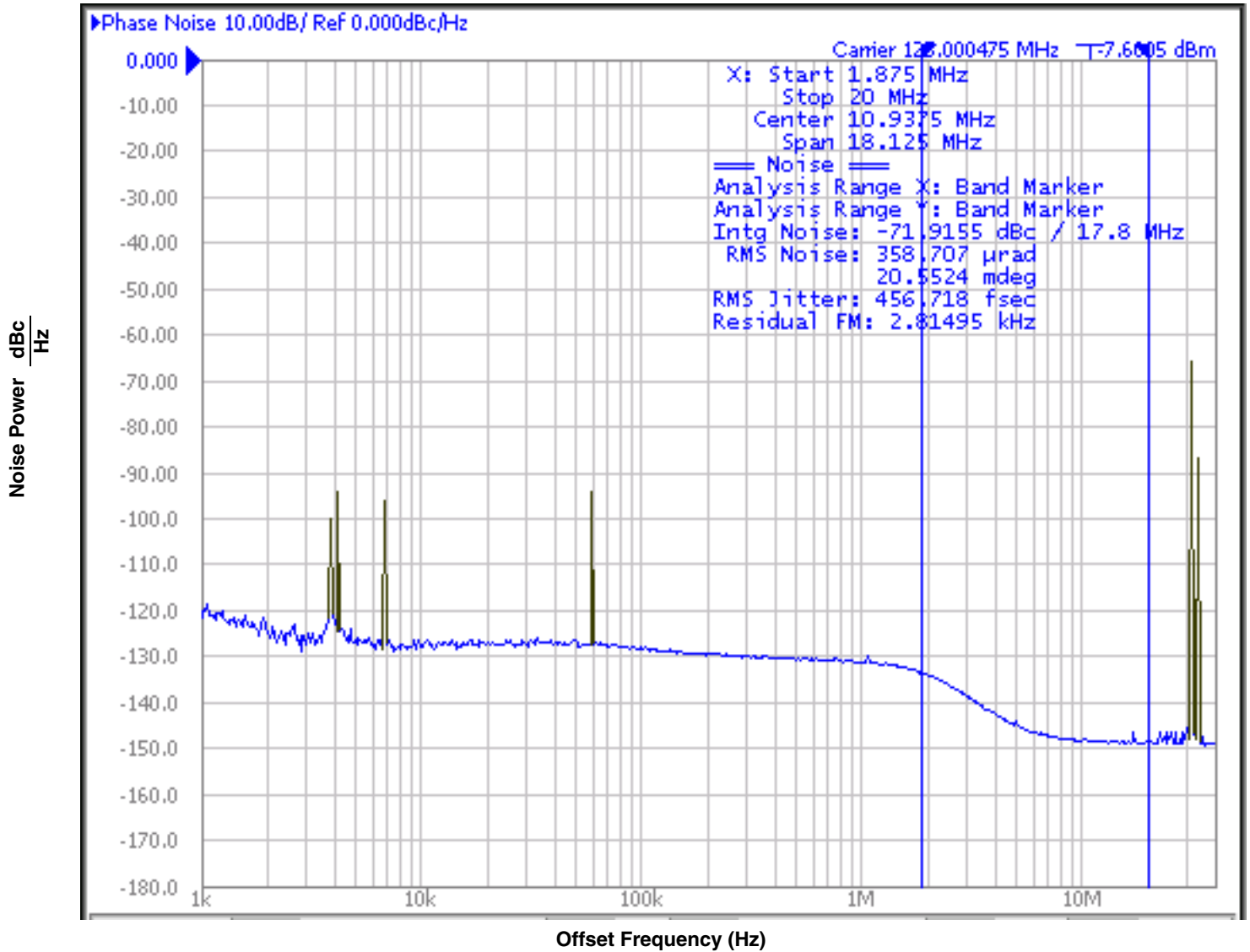
NOTE: Electrical parameters are guaranteed over the specified ambient operating temperature range, which is established when the device is mounted in a test socket with maintained transverse airflow greater than 500 lpm. The device will meet specifications after thermal equilibrium has been reached under these conditions.

NOTE 1: See Phase Noise Plot.

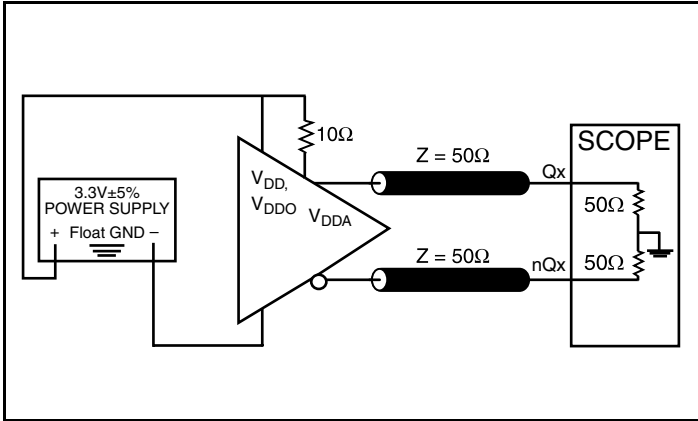
NOTE 2: Defined as skew between outputs at the same supply voltage and with equal load conditions. Measured at the output differential crossing points.

NOTE 3: This parameter is defined in accordance with JEDEC Standard 65.

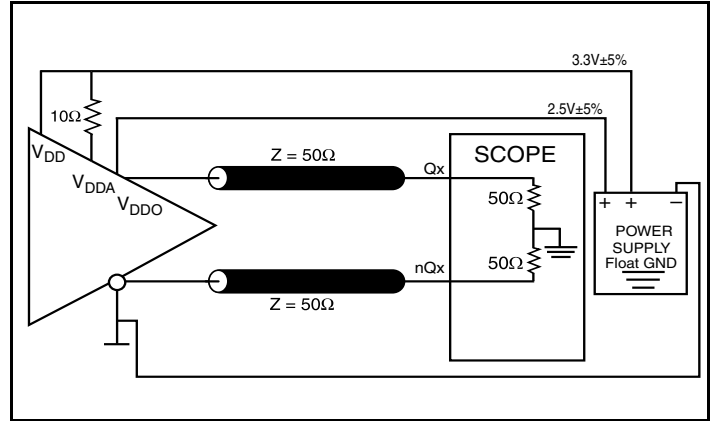
Typical Phase Noise at 125MHz



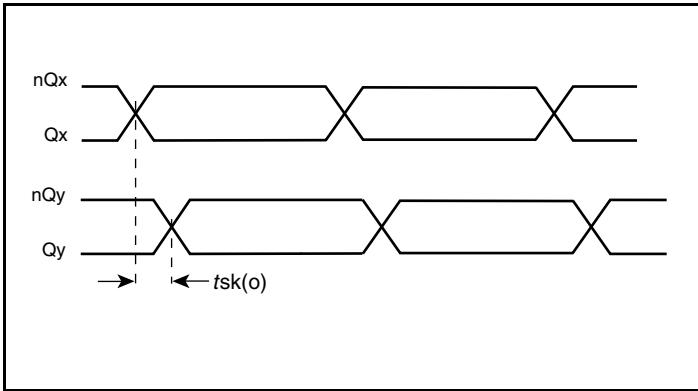
Parameter Measurement Information



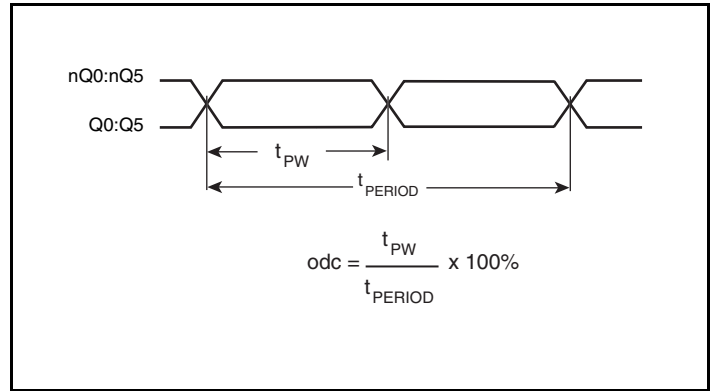
3.3V Core/3.3V LVDS Output Load AC Test Circuit



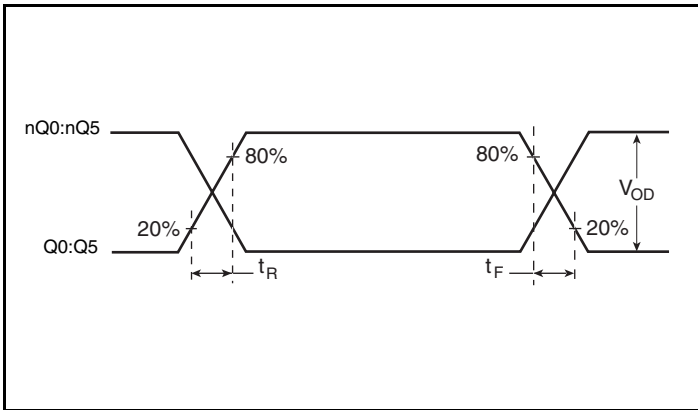
3.3V Core/2.5V LVDS Output Load AC Test Circuit



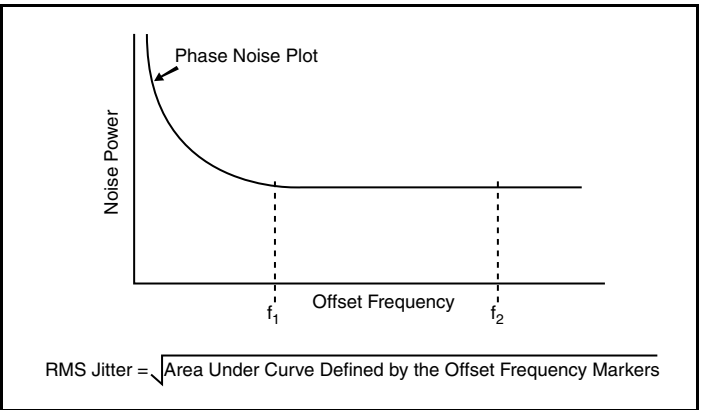
Output Skew



Output Duty Cycle/Pulse Width/Period

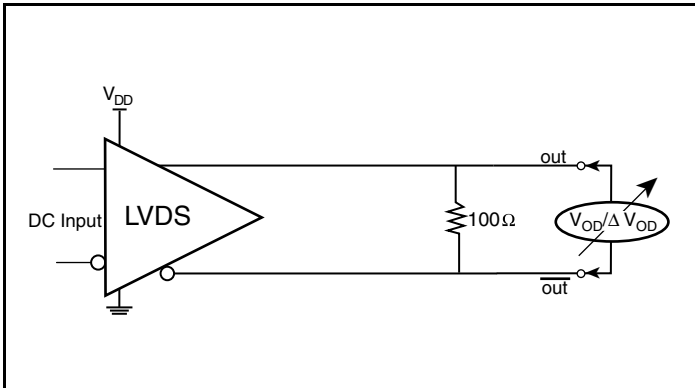


Output Rise/Fall Time

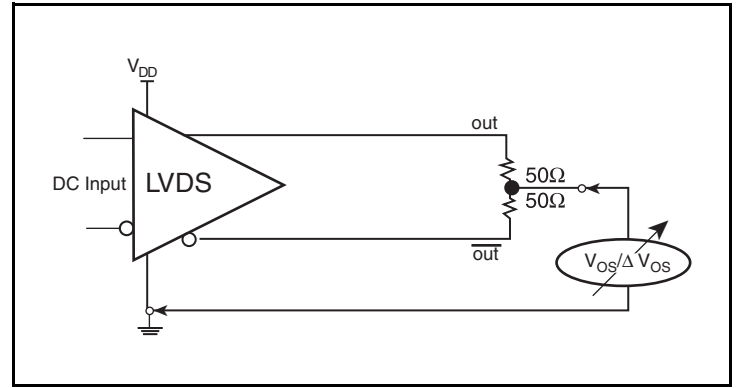


RMS Phase Jitter

Parameter Measurement Information, continued



Differential Output Voltage Setup



Offset Voltage Setup

Applications Information

Recommendations for Unused Input and Output Pins

Inputs:

LVC MOS Control Pins

All control pins have internal pullups or pulldowns; additional resistance is not required but can be added for additional protection. A 1kΩ resistor can be used.

Outputs:

LVDS Outputs

All unused LVDS output pairs can be either left floating or terminated with 100Ω across. If they are left floating, there should be no trace attached.

Overdriving the XTAL Interface

The XTAL_IN input can be overdriven by an LVCMOS driver or by one side of a differential driver through an AC coupling capacitor. The XTAL_OUT pin can be left floating. The amplitude of the input signal should be between 500mV and 1.8V and the slew rate should not be less than 0.2V/nS. For 3.3V LVCMOS inputs, the amplitude must be reduced from full swing to at least half the swing in order to prevent signal interference with the power rail and to reduce internal noise. *Figure 1A* shows an example of the interface diagram for a high speed 3.3V LVCMOS driver. This configuration requires that the sum of the output impedance of the driver (R_o) and the series resistance (R_s) equals the transmission line impedance. In addition, matched termination at the crystal input will attenuate the signal in half. This

can be done in one of two ways. First, R_1 and R_2 in parallel should equal the transmission line impedance. For most 50Ω applications, R_1 and R_2 can be 100Ω. This can also be accomplished by removing R_1 and changing R_2 to 50Ω. The values of the resistors can be increased to reduce the loading for a slower and weaker LVCMOS driver. *Figure 1B* shows an example of the interface diagram for an LVPECL driver. This is a standard LVPECL termination with one side of the driver feeding the XTAL_IN input. It is recommended that all components in the schematics be placed in the layout. Though some components might not be used, they can be utilized for debugging purposes. The datasheet specifications are characterized and guaranteed by using a quartz crystal as the input.

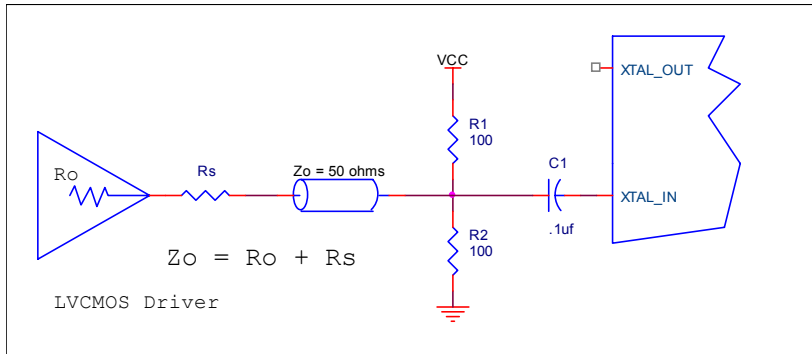


Figure 1A. General Diagram for LVCMOS Driver to XTAL Input Interface

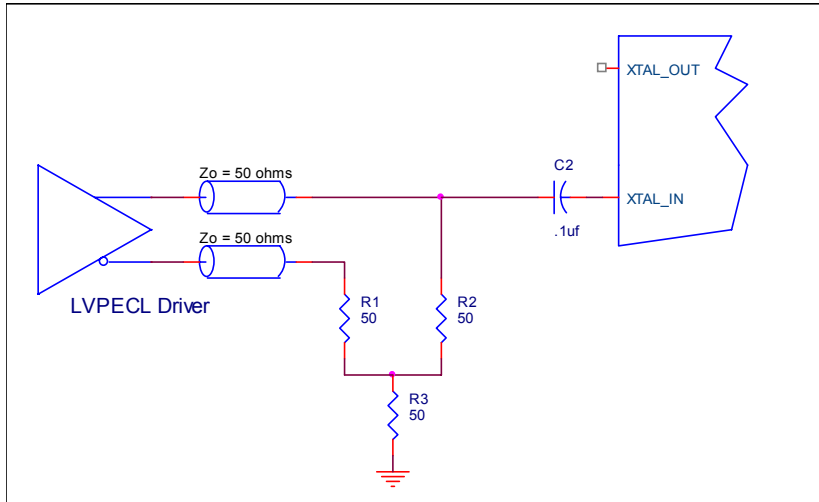
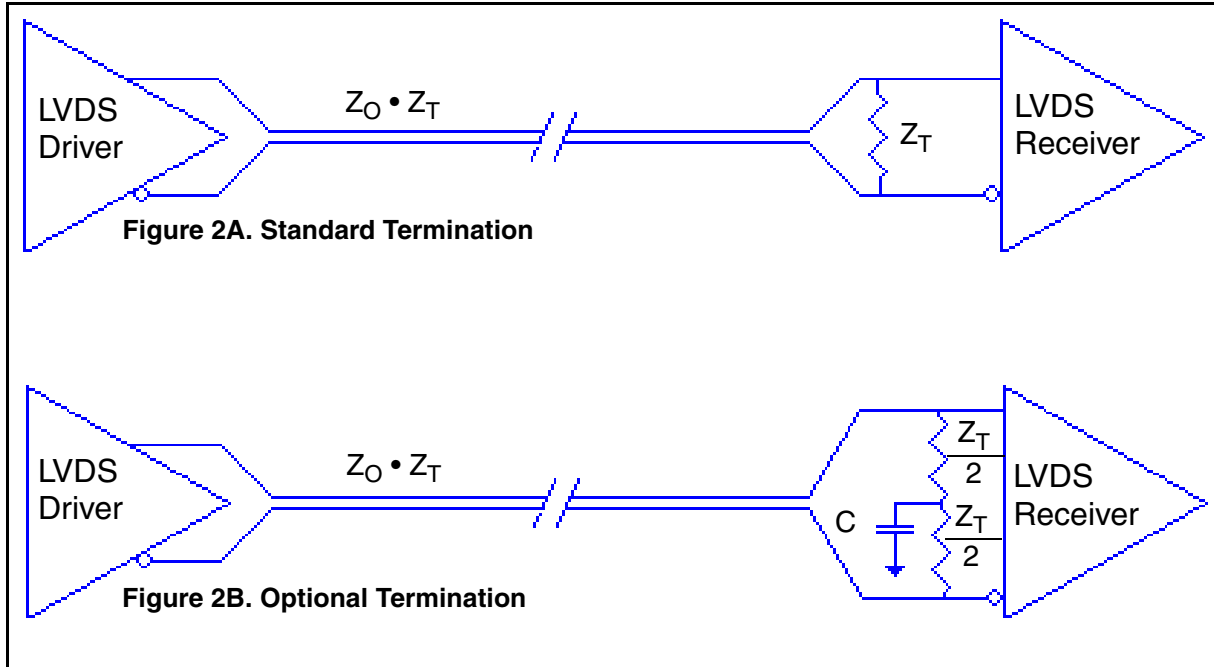


Figure 1B. General Diagram for LVPECL Driver to XTAL Input Interface

LVDS Driver Termination

For a general LVDS interface, the recommended value for the termination impedance (Z_T) is between 90Ω and 132Ω . The actual value should be selected to match the differential impedance (Z_0) of your transmission line. A typical point-to-point LVDS design uses a 100Ω parallel resistor at the receiver and a 100Ω differential transmission-line environment. In order to avoid any transmission-line reflection issues, the components should be surface mounted and must be placed as close to the receiver as possible. IDT offers a full line of LVDS compliant devices with two types of output structures: current source and voltage source. The

standard termination schematic as shown in *Figure 2A* can be used with either type of output structure. *Figure 2B*, which can also be used with both output types, is an optional termination with center tap capacitance to help filter common mode noise. The capacitor value should be approximately 50pF . If using a non-standard termination, it is recommended to contact IDT and confirm if the output structure is current source or voltage source type. In addition, since these outputs are LVDS compatible, the input receiver's amplitude and common-mode input range should be verified for compatibility with the output.



LVDS Termination

EPAD Thermal Release Path

In order to maximize both the removal of heat from the package and the electrical performance, a land pattern must be incorporated on the Printed Circuit Board (PCB) within the footprint of the package corresponding to the exposed metal pad or exposed heat slug on the package, as shown in *Figure 3*. The solderable area on the PCB, as defined by the solder mask, should be at least the same size/shape as the exposed pad/slug area on the package to maximize the thermal/electrical performance. Sufficient clearance should be designed on the PCB between the outer edges of the land pattern and the inner edges of pad pattern for the leads to avoid any shorts.

While the land pattern on the PCB provides a means of heat transfer and electrical grounding from the package to the board through a solder joint, thermal vias are necessary to effectively conduct from the surface of the PCB to the ground plane(s). The land pattern must be connected to ground through these vias. The vias act as “heat pipes”. The number of vias (i.e. “heat pipes”) are application specific

and dependent upon the package power dissipation as well as electrical conductivity requirements. Thus, thermal and electrical analysis and/or testing are recommended to determine the minimum number needed. Maximum thermal and electrical performance is achieved when an array of vias is incorporated in the land pattern. It is recommended to use as many vias connected to ground as possible. It is also recommended that the via diameter should be 12 to 13mils (0.30 to 0.33mm) with 1oz copper via barrel plating. This is desirable to avoid any solder wicking inside the via during the soldering process which may result in voids in solder between the exposed pad/slug and the thermal land. Precautions should be taken to eliminate any solder voids between the exposed heat slug and the land pattern. Note: These recommendations are to be used as a guideline only. For further information, refer to the Application Note on the *Surface Mount Assembly* of Amkor’s Thermally/Electrically Enhance Leadframe Base Package, Amkor Technology.

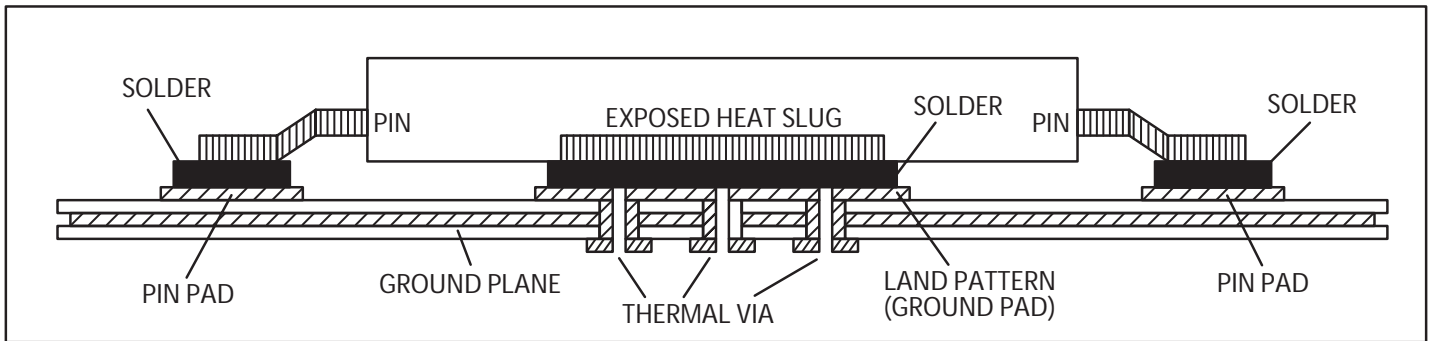


Figure 3. Assembly for Exposed Pad Thermal Release Path - Side View (drawing not to scale)

Schematic Layout

Figure 4 shows an example of ICS844246D schematic. In this example, the device is operated at $V_{DD} = V_{DDO} = 3.3V$. An 18pF parallel resonant 25MHz to 33.33MHz crystal is used. The load capacitance $C1 = 22pF$ and $C2 = 22pF$ are recommended for frequency accuracy. Depending on the parasitic of the printed circuit board layout, these values might require a slight adjustment to optimize the frequency accuracy. Crystals with other load capacitance specifications can be used. This will require adjusting $C1$ and $C2$.

As with any high speed analog circuitry, the power supply pins are vulnerable to random noise. To achieve optimum jitter performance, power supply isolation is required. The ICS844246D provides separate power supplies to isolate noise from coupling into the internal PLL.

In order to achieve the best possible filtering, it is recommended that the placement of the filter components be on the device side of the PCB as close to the power pins as possible. If space is limited, the

0.1 uF capacitor in each power pin filter should be placed on the device side of the PCB and the other components can be on the opposite side of the PCB.

Power supply filter recommendations are a general guideline to be used for reducing external noise from coupling into the devices. The filter performance is designed for a wide range of noise frequencies. This low-pass filter starts to attenuate noise at approximately 10 kHz. If a specific frequency noise component is known, such as switching power supplies frequencies, it is recommended that component values be adjusted and if required, additional filtering be added. Additionally, good general design practices for power plane voltage stability suggests adding bulk capacitance in the local area of all devices.

The schematic example focuses on functional connections and is not configuration specific. Refer to the pin description and functional tables in the datasheet to ensure that the logic control inputs are properly set.

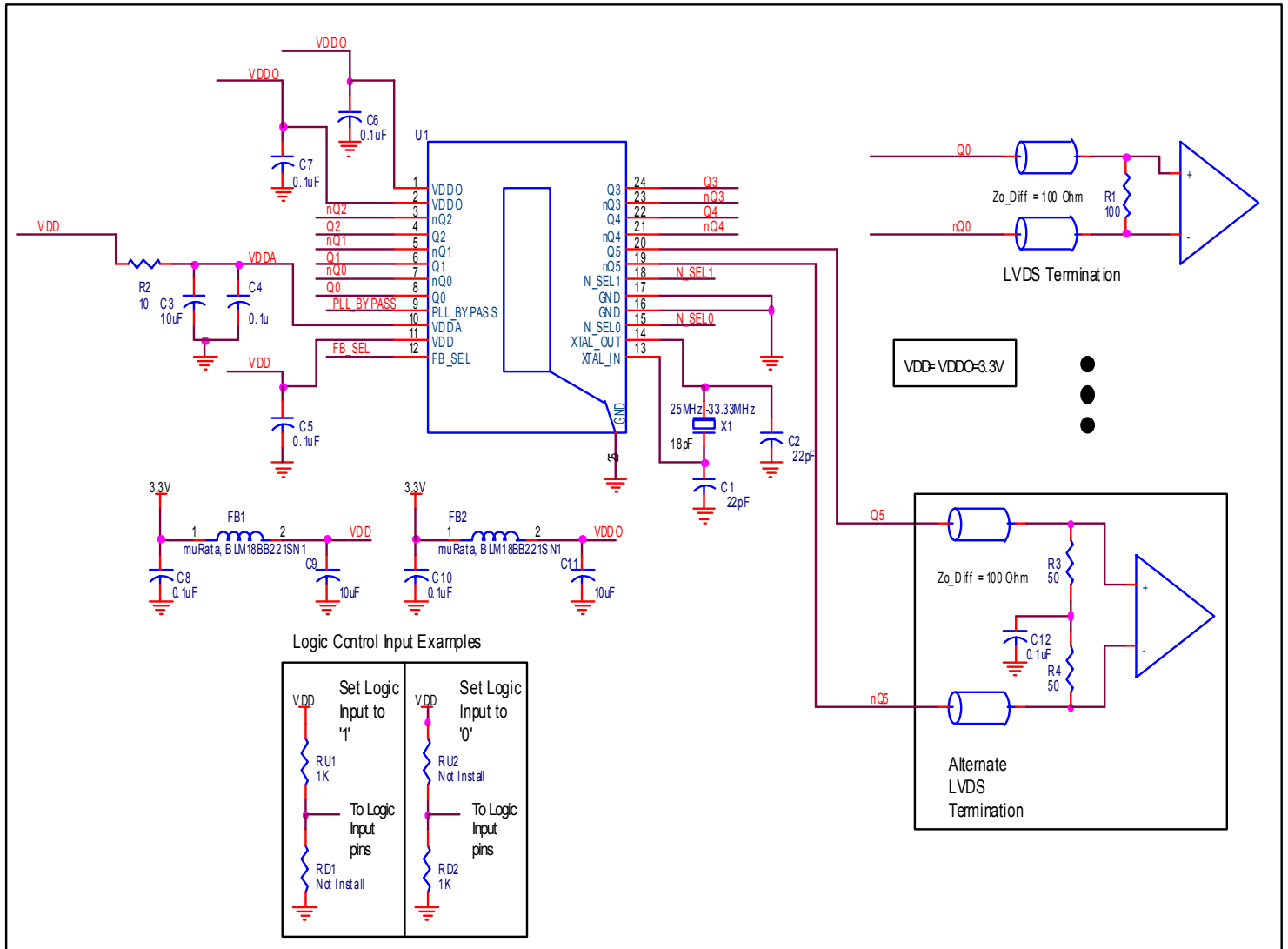


Figure 4. ICS844246D Application Schematic

Power Considerations

This section provides information on power dissipation and junction temperature for the ICS844246D. Equations and example calculations are also provided.

1. Power Dissipation.

The total power dissipation for the ICS844246D is the sum of the core power plus the analog power plus the power dissipated in the load(s). The following is the power dissipation for $V_{DD} = 3.3V + 5\% = 3.465V$, which gives worst case results.

NOTE: Please refer to Section 3 for details on calculating power dissipated in the load.

- Power (core)_{MAX} = $V_{DD_MAX} * (I_{DD_MAX} + I_{DDA_MAX}) = 3.465V * (170mA + 10mA) = \mathbf{623.7mW}$
- Power (outputs)_{MAX} = $V_{DDO_MAX} * I_{DDO_MAX} = 3.465V * 100mA = \mathbf{346.5mW}$

Total Power_{MAX} = 623.7mW + 346.5mW = **970.2mW**

2. Junction Temperature.

Junction temperature, T_j , is the temperature at the junction of the bond wire and bond pad, and directly affects the reliability of the device. The maximum recommended junction temperature is 125°C. Limiting the internal transistor junction temperature, T_j , to 125°C ensures that the bond wire and bond pad temperature remains below 125°C.

The equation for T_j is as follows: $T_j = \theta_{JA} * Pd_total + T_A$

T_j = Junction Temperature

θ_{JA} = Junction-to-Ambient Thermal Resistance

Pd_total = Total Device Power Dissipation (example calculation is in section 1 above)

T_A = Ambient Temperature

In order to calculate junction temperature, the appropriate junction-to-ambient thermal resistance θ_{JA} must be used. Assuming no air flow and a multi-layer board, the appropriate value is 32.1°C/W per Table 7 below.

Therefore, T_j for an ambient temperature of 70°C with all outputs switching is:

$$70^\circ\text{C} + 0.970\text{W} * 32.1^\circ\text{C/W} = 101.14^\circ\text{C}. \text{ This is below the limit of } 125^\circ\text{C}.$$

This calculation is only an example. T_j will obviously vary depending on the number of loaded outputs, supply voltage, air flow and the type of board (multi-layer).

Table 7. Thermal Resistance θ_{JA} for 24 Lead TSSOP, E-Pad Forced Convection

| θ_{JA} by Velocity | | | |
|---|----------|----------|----------|
| Meters per Second | 0 | 1 | 2.5 |
| Multi-Layer PCB, JEDEC Standard Test Boards | 32.1°C/W | 25.5°C/W | 24.0°C/W |

Reliability Information

Table 8. θ_{JA} vs. Air Flow Table for a 24 Lead TSSOP, E-Pad

| θ_{JA} vs. Air Flow | | | |
|---|----------|----------|----------|
| Meters per Second | 0 | 1 | 2.5 |
| Multi-Layer PCB, JEDEC Standard Test Boards | 32.1°C/W | 25.5°C/W | 24.0°C/W |

Transistor Count

The transistor count for ICS844246D is: 3887

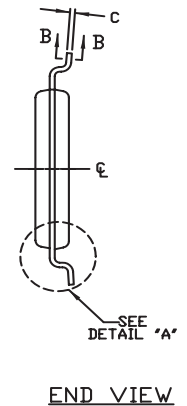
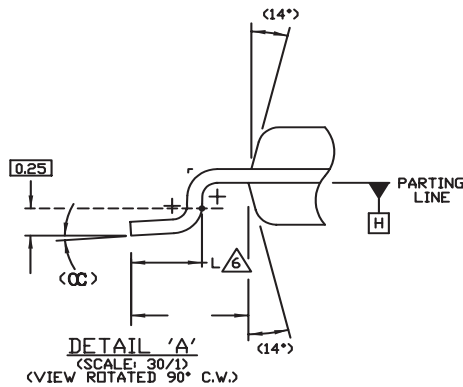
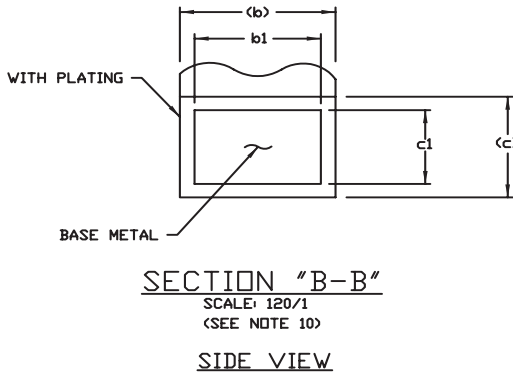
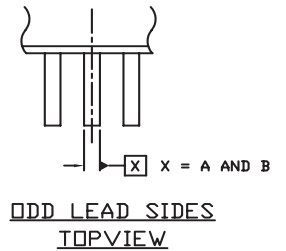
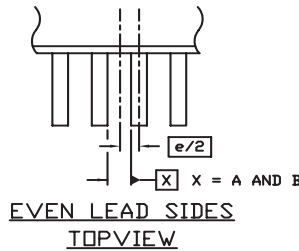
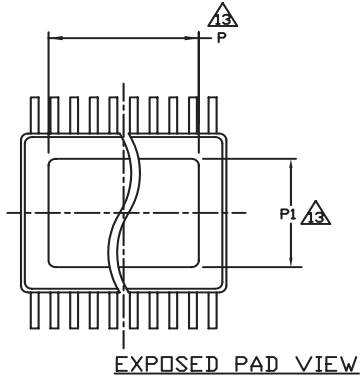
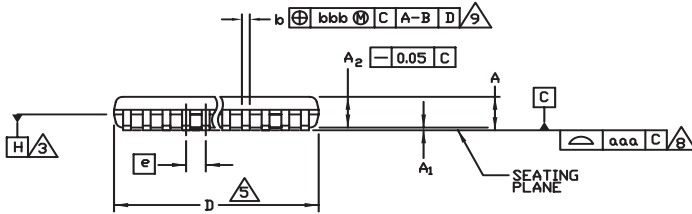
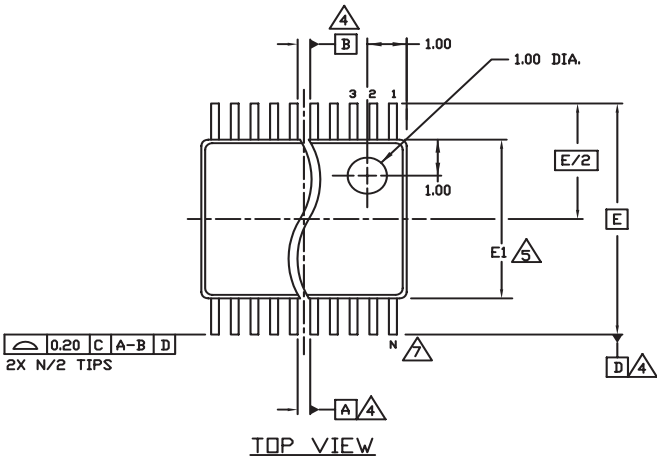
Package Outline and Package Dimensions

Package Outline - G Suffix for 24 Lead TSSOP, E-Pad

Table 9. Package Dimensions for 24 Lead TSSOP, E-Pad

| All Dimensions in Millimeters | | | |
|-------------------------------|------------|---------|---------|
| Symbol | Minimum | Nominal | Maximum |
| N | 24 | | |
| A | | | 1.10 |
| A1 | 0.05 | | 0.15 |
| A2 | 0.85 | 0.90 | 0.95 |
| b | 0.19 | | 0.30 |
| b1 | 0.19 | 0.22 | 0.25 |
| c | 0.09 | | 0.20 |
| c1 | 0.09 | 0.127 | 0.16 |
| D | 7.70 | | 7.90 |
| E | 6.40 Basic | | |
| E1 | 4.30 | 4.40 | 4.50 |
| e | 0.65 Basic | | |
| L | 0.50 | 0.60 | 0.70 |
| P | 5.0 | | 5.5 |
| P1 | 3.0 | | 3.2 |
| α | 0° | | 8° |
| $\alpha\alpha\alpha$ | 0.076 | | |
| bbb | 0.10 | | |

Reference Document: JEDEC Publication 95, MO-153



Ordering Information

Table 10. Ordering Information

| Part/Order Number | Marking | Package | Shipping Packaging | Temperature |
|-------------------|---------------|----------------------------------|--------------------|-------------|
| 844246DGLF | ICS844246DGLF | "Lead-Free" 24 Lead TSSOP, E-Pad | Tube | 0°C to 70°C |
| 844246DGLFT | ICS844246DGLF | "Lead-Free" 24 Lead TSSOP, E-Pad | 2500 Tape & Reel | 0°C to 70°C |

NOTE: Parts that are ordered with an "LF" suffix to the part number are the Pb-Free configuration and are RoHS compliant.

While the information presented herein has been checked for both accuracy and reliability, Integrated Device Technology (IDT) assumes no responsibility for either its use or for the infringement of any patents or other rights of third parties, which would result from its use. No other circuits, patents, or licenses are implied. This product is intended for use in normal commercial applications. Any other applications, such as those requiring extended temperature ranges, high reliability or other extraordinary environmental requirements are not recommended without additional processing by IDT. IDT reserves the right to change any circuitry or specifications without notice. IDT does not authorize or warrant any IDT product for use in life support devices or critical medical instruments.

We've Got Your Timing Solution



6024 Silver Creek Valley Road
San Jose, California 95138

Sales
800-345-7015 (inside USA)
+408-284-8200 (outside USA)
Fax: 408-284-2775
www.IDT.com/go/contactIDT

Technical Support
netcom@idt.com
+480-763-2056

DISCLAIMER Integrated Device Technology, Inc. (IDT) and its subsidiaries reserve the right to modify the products and/or specifications described herein at any time and at IDT's sole discretion. All information in this document, including descriptions of product features and performance, is subject to change without notice. Performance specifications and the operating parameters of the described products are determined in the independent state and are not guaranteed to perform the same way when installed in customer products. The information contained herein is provided without representation or warranty of any kind, whether express or implied, including, but not limited to, the suitability of IDT's products for any particular purpose, an implied warranty of merchantability, or non-infringement of the intellectual property rights of others. This document is presented only as a guide and does not convey any license under intellectual property rights of IDT or any third parties.

IDT's products are not intended for use in life support systems or similar devices where the failure or malfunction of an IDT product can be reasonably expected to significantly affect the health or safety of users. Anyone using an IDT product in such a manner does so at their own risk, absent an express, written agreement by IDT.

Integrated Device Technology, IDT and the IDT logo are registered trademarks of IDT. Other trademarks and service marks used herein, including protected names, logos and designs, are the property of IDT or their respective third party owners.

Copyright 2011. All rights reserved.