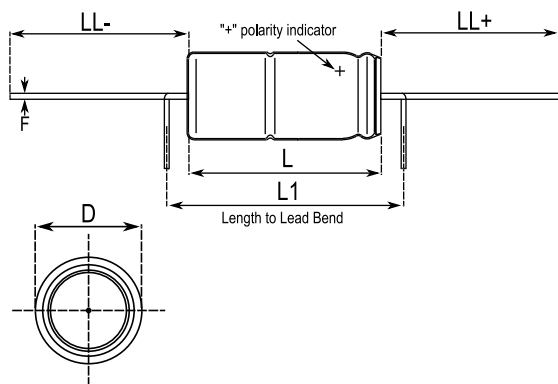


KEMET Part Number: PEG226KF3800Q
 (A231KL801Q040A, PEG226KF3800QE1)

Capacitor, aluminum, 800 uF, -10/+30% Tol



Dimensions (mm)		
Symbol	Dimension	Tolerance
D	16	+/-0.5
L	26.5	+/-1
L1	33	MIN
LLPos	42	+/-2
LLNeg	42	+/-2
F	0.8	+/-0.03

Packaging Specifications	
Package Kind:	Bulk
Package Quantity:	125

General Information	
Supplier:	KEMET
Part Type Description:	Axial Cylindrical Aluminum Electrolytic
Style:	Axial Cylindrical

Specifications	
Capacitance:	800 uF
Voltage @ rated temp:	40VDC
Rated Temperature:	125° C
Tolerance:	-10/+30%
Life @ rated temp:	3000 Hrs
RoHS:	Yes
Low Z/ESR:	Yes
Temperature Range:	-40/+150C
Lead Type:	Wire Leads
ESR at 100Hz @ room temp:	100 mOhm
ESR at 100kHz @ room temp:	36 mOhm
Leakage Current:	96 uA
Leakage Condition:	5min/20c
Ripple 10kHz @ rated temp:	5.6 A